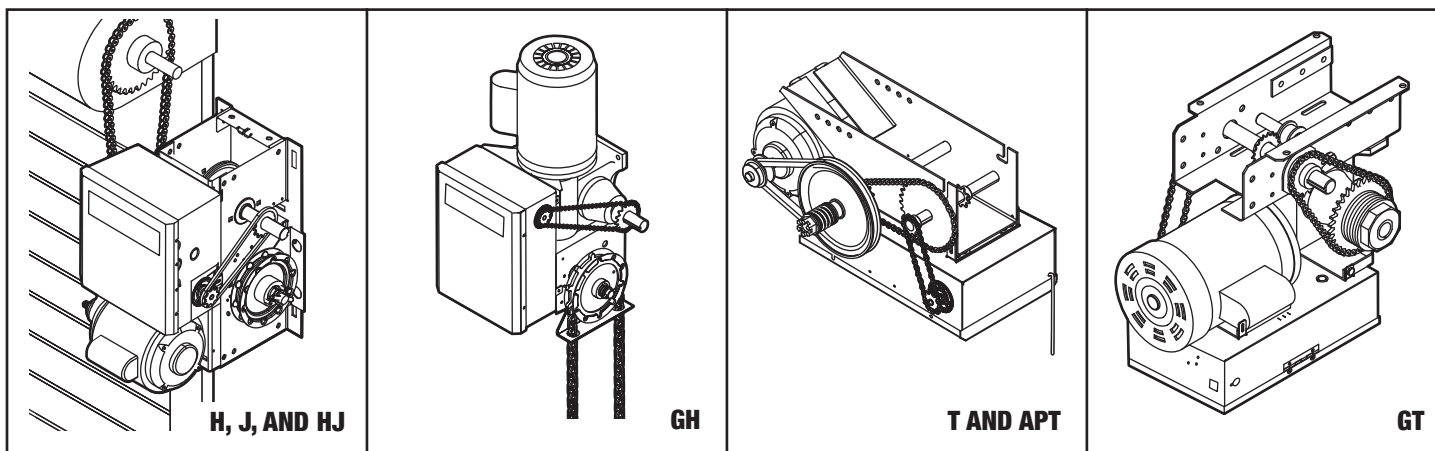


INDUSTRIAL DUTY COMMERCIAL DOOR OPERATOR

LOGIC 5.0 **Security+** 2.0™ myQ®

INSTALLATION MANUAL



THIS PRODUCT IS TO BE INSTALLED AND SERVICED BY A TRAINED DOOR SYSTEMS TECHNICIAN ONLY.

Operators are shipped in C2 operating mode.
Visit www.liftmaster.com to locate a professional installing dealer in your area.

2 YEAR WARRANTY

Serial # _____

Installation Date _____

CONTACT INFORMATION



TABLE OF CONTENTS

SAFETY INFORMATION	3	ADJUSTMENT	22-23
TROLLEY OPERATORS	4-12	Limit Adjustment	22
Carton Inventory	4	Clutch Adjustment (Belt Drive Model Operators)	23
Operator Specifications	4-5	TESTING	24
Maximum Door Area	5	MANUAL RELEASE	25-26
Weights and Dimensions	6	Emergency Disconnect System Model GT and T	25
ASSEMBLY	7-9	Emergency Disconnect System Model APT	25
Assemble the Operator (Models T and GT)	7	Emergency Disconnect System Model H, GH, J, and HJ	26
Install the Chain (Models T and GT)	8	PROGRAMMING	27-34
Assemble the Operator (Model APT)	9	Introduction to Programming	27
TYPICAL INSTALLATION	10-12	Determine and Set Wiring Type	28
Install the Header Bracket	10	Programming Remote Controls	29-30
Attach the Track to the Header Bracket	11	Programming MyQ® Devices (Optional)	31
Hang the Operator	11	Maintenance Alert System (MAS)	31
Attach the Door Arm	12	Open Mid Stop	32
HOIST AND JACKSHAFT OPERATORS	13-17	Timer-To-Close	32-33
Carton Inventory	13	Car Dealer Mode	33
Operator Specifications	13-14	Maximum Run Timer (MRT)	34
Maximum Door Area	14	Resetting Factory Defaults - Clearing Memory	34
Weights and Dimensions	15	MAINTENANCE	35
ASSEMBLY	16	Maintenance Schedule	35
Assemble the Operator	16	Life of Operator Feature (Odometer/Cycle Counter)	35
TYPICAL INSTALLATION	16-17	Brake (If Present)	35
Determine Mounting Location	16	How to Order Repair Parts	35
Mounting	17	TROUBLESHOOTING	36-39
Install the Manual Disconnect	17	Diagnostic Chart	36
WIRING	18-19	Troubleshooting Guide	37
Power and Ground	18	Troubleshooting Error Codes	38
Motor Power Plug Selection	18	Troubleshooting Radio Functionality	39
Control Station	19	WIRING DIAGRAMS	40-41
ENTRAPMENT PROTECTION	20-22	Logic (Ver. 5.0) 1 Phase Wiring Diagram	40
LiftMaster Monitored Entrapment Protection (LMEP)	20	Logic (Ver. 5.0) 3 Phase Wiring Diagram	41
Install the LiftMaster Monitored Entrapment Protection (LMEP) Devices (Optional)	21	ACCESSORIES	42-43
Wire the LiftMaster Monitored Entrapment Protection (LMEP) Devices	21	CONTROL CONNECTION DIAGRAM	44

SAFETY INFORMATION

WARNING

Mechanical

WARNING

Electrical

CAUTION

When you see these Safety Symbols and Signal Words on the following pages, they will alert you to the possibility of **serious injury** or **death** if you do not comply with the warnings that accompany them. The hazard may come from something mechanical or from electric shock. Read the warnings carefully.

When you see this Signal Word on the following pages, it will alert you to the possibility of damage to your door and/or the door operator if you do not comply with the cautionary statements that accompany it. Read them carefully.

IMPORTANT NOTES:

- *BEFORE attempting to install, operate or maintain the operator, you must read and fully understand this manual and follow all safety instructions.*
- *DO NOT attempt repair or service of your commercial door and gate operator unless you are an Authorized Service Technician.*
- *Operator intended to be installed on a properly balanced door only. Make sure door is properly balanced before installing.*

IMPORTANT INSTALLATION INSTRUCTIONS

WARNING

TO REDUCE THE RISK OF SEVERE INJURY OR DEATH:

1. READ AND FOLLOW ALL INSTALLATION WARNINGS AND INSTRUCTIONS.
2. Install door operator ONLY on properly balanced and lubricated door. An improperly balanced door may NOT reverse when required and could result in SEVERE INJURY or DEATH.
3. ALL repairs to cables, spring assemblies and other hardware MUST be made by a trained door systems technician BEFORE installing operator.
4. Disable ALL locks and remove ALL ropes connected to door BEFORE installing operator to avoid entanglement.
5. Install door operator 8 feet (2.44 m) or more above floor.
6. NEVER connect door operator to power source until instructed to do so.
7. NEVER wear watches, rings or loose clothing while installing or servicing operator. They could be caught in door or operator mechanisms.
8. Install control station:
 - within sight of the door.
 - out of reach of children at minimum height of 5 feet (1.5 m).
 - away from ALL moving parts of the door.
9. Install the control station far enough from the door to prevent the user from coming in contact with the door while operating the controls.
10. Install the entrapment warning placard on wall next to the control station in a prominent location that is visible from the door.
11. Place manual release/safety reverse test label in plain view on inside of door.
12. Upon completion of installation, test entrapment protection device.
13. **SAVE THESE INSTRUCTIONS.**

TROLLEY OPERATORS

CARTON INVENTORY

Before beginning your installation check that all components were provided.

DESCRIPTION

- Powerhead assembly
- Owner's manual and caution labels
- Hardware box (includes fasteners, track spacers, trolley, door arm assembly, front idler and header mounting bracket)
- 3-Button control station with MAS LED
- Trolley drive chain: #48 for 1/3 and 1/2 HP,
#41 for 3/4 HP and higher (all GT models)

NOTE: The tracks are shipped separately.

ENTRAPMENT PROTECTION DEVICES:

LiftMaster Monitored Entrapment Protection (LMEP)

Monitored photoelectric sensors and/or door edge sensors are required for any momentary contact to close modes of operation. See pages 20-21 for additional information. Refer to the accessories page 42, 'Entrapment Protection Devices' for available options.

OPERATOR SPECIFICATIONS

MOTOR

TYPE: Continuous duty

HORSEPOWER:

- Model APT.....1/2 HP
- Model GT.....1/2, 3/4, 1 and 1-1/2 HP
- Model T.....1/3, 1/2, 3/4 and 1 HP

SPEED (At rated load):1725 RPM

VOLTAGE:

- Model APT.....115V 1 Phase
- Model GT and T.....115/230V 1 Phase,
.....208/230/460/575V 3 Phase

CURRENT (Amperage):

Model T and GT

Voltage-Phase	1/3 HP	1/2 HP	3/4 HP	1 HP	1-1/2 HP
115-1Ø, 60Hz	8.5	11.2	13.6	16	20
230-1Ø, 60Hz	4.2	5.6	6.8	8	10
208/230-3Ø, 60Hz	3	3.1	4	6	7
460-3Ø, 60Hz	1.5	1.75	2	3	3.5
575-3Ø, 60Hz	1.3	1.4	1.6	1.8	2.75

Model APT

Voltage-Phase	1/2 HP
115-1Ø, 60Hz	11.2

ELECTRICAL

TRANSFORMER: 24Vac Secondary

CONTROL STATION: NEMA 3-Button Station
Open/Close/Stop w/LED

WIRING TYPE: C2 (Factory default)
Momentary contact to OPEN & STOP, constant pressure to CLOSE, plus wiring for LMEP device to reverse and auxiliary devices to open and close with open override. See page 28 for optional wiring types and operating modes.

LIMIT ADJUST:Linear driven, fully adjustable screw type cams. Adjustable to 24 feet.

BRAKE: Standard on APT, GT and 3/4-1 HP T's

DISCONNECT: Quick disconnect door arm for emergency manual door operation.

OPERATOR SPECIFICATIONS

MECHANICAL

DRIVE REDUCTION:

Model APT and T Primary: Heavy duty (5L) V-Belt
 Secondary: #41 chain/sprocket;
 Output: #48 chain (1/3 and 1/2 HP Model T and APT)
 or #41 chain (3/4 and 1 HP Model T ONLY)

Model GT Primary: 20:1 Heavy duty
 worm gear-in-oil-bath speed reducer
 Output: #41 chain

OUTPUT SHAFT SPEED:

Model APT 96 RPM

Model GT 113.5 RPM

Model T 140 RPM

DOOR SPEED (not adjustable):

Model APT 6-7" per second

Model GT 11-12" per second

Model T 11-12" per second

BRAKE: Solenoid actuated disc brake on 3/4 and 1 HP,
 standard on Models APT and GT (Available as an option
 for 1/3 and 1/2 HP)

BEARINGS: Output Shaft: Shielded ball bearing
 Model APT and T Clutch Shaft: IronCopper sintered and oil
 impregnated

MAXIMUM DOOR AREA (SQ. FT.)

MODEL T					
STANDARD SECTIONAL	---	24 ga. 22 ga. Steel	20 ga. Steel	16 ga. Steel	---
	Fiberglass Doors	Alum. Doors	Wood Doors	---	---
	---	---	24 ga. Steel Insul.	20 ga. Steel Insul.	16 ga. Steel Insul.
1/3 HP	310	285	260	175	125
1/2 HP	400	350	320	250	200
3/4 HP	560	500	450	325	275
1 HP	640	625	560	400	310

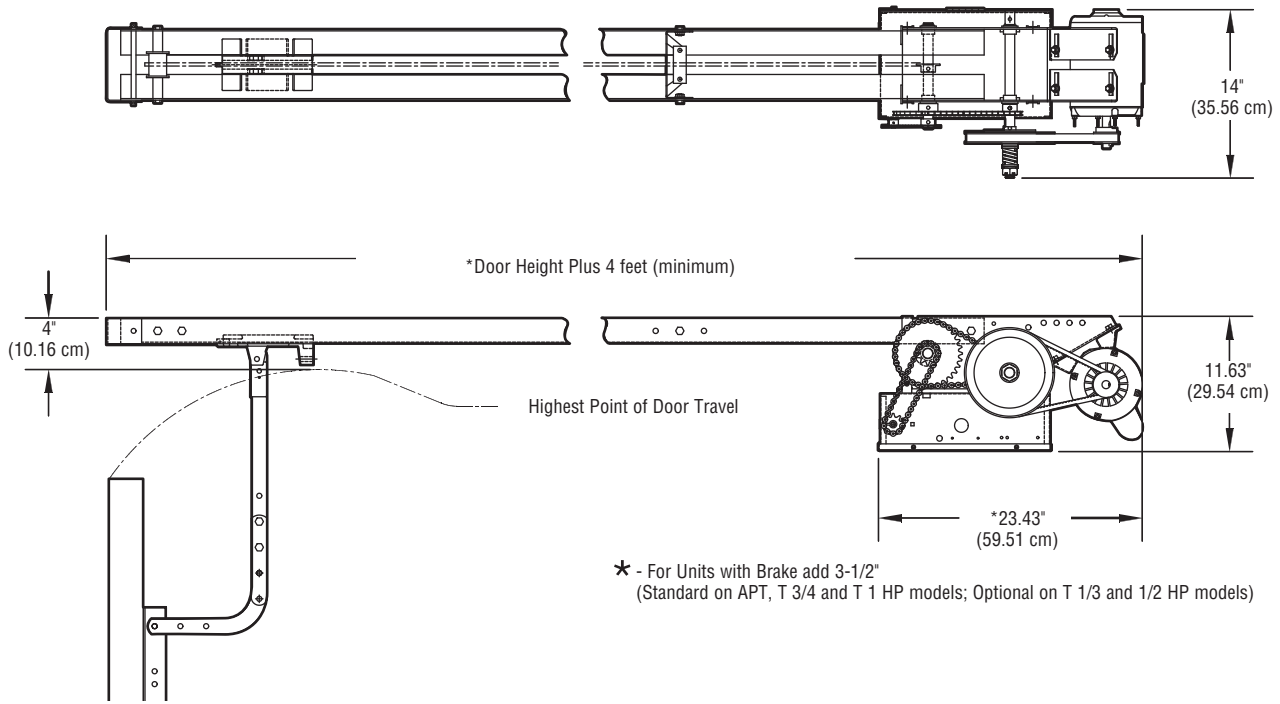
MODEL APT				
STANDARD SECTIONAL	24 ga. 22 ga. Steel	20 ga. Steel	16 ga. Steel	---
	Alum. Doors	Wood Doors	---	---
	Fiberglass Doors	24 ga. Steel Insul.	20 ga. Steel Insul.	16 ga. Steel Insul.
1/2 HP	250	225	150	100

MODEL GT					
STANDARD SECTIONAL	---	24 ga. 22 ga. Steel	20 ga. Steel	16 ga. Steel	---
	Fiberglass Doors	Alum. Doors	Wood Doors	---	---
	---	---	24 ga. Steel Insul.	20 ga. Steel Insul.	16 ga. Steel Insul.
1/2 HP	400	350	320	250	200
3/4 HP	560	500	450	325	250
1 HP	625	575	500	400	300
1-1/2 HP	---	625	550	475	380

WEIGHTS AND DIMENSIONS

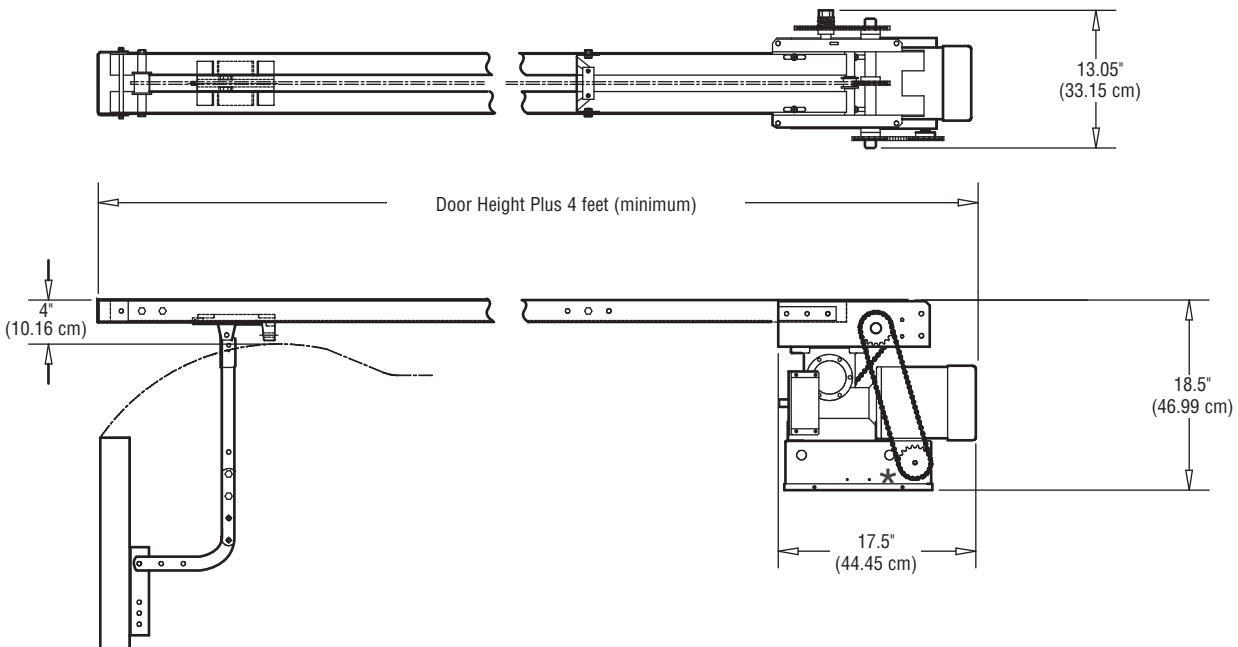
MODELS T AND APT

Hanging Weight: 80-110 lbs.



MODEL GT

Hanging Weight: 140 lbs.



ASSEMBLY

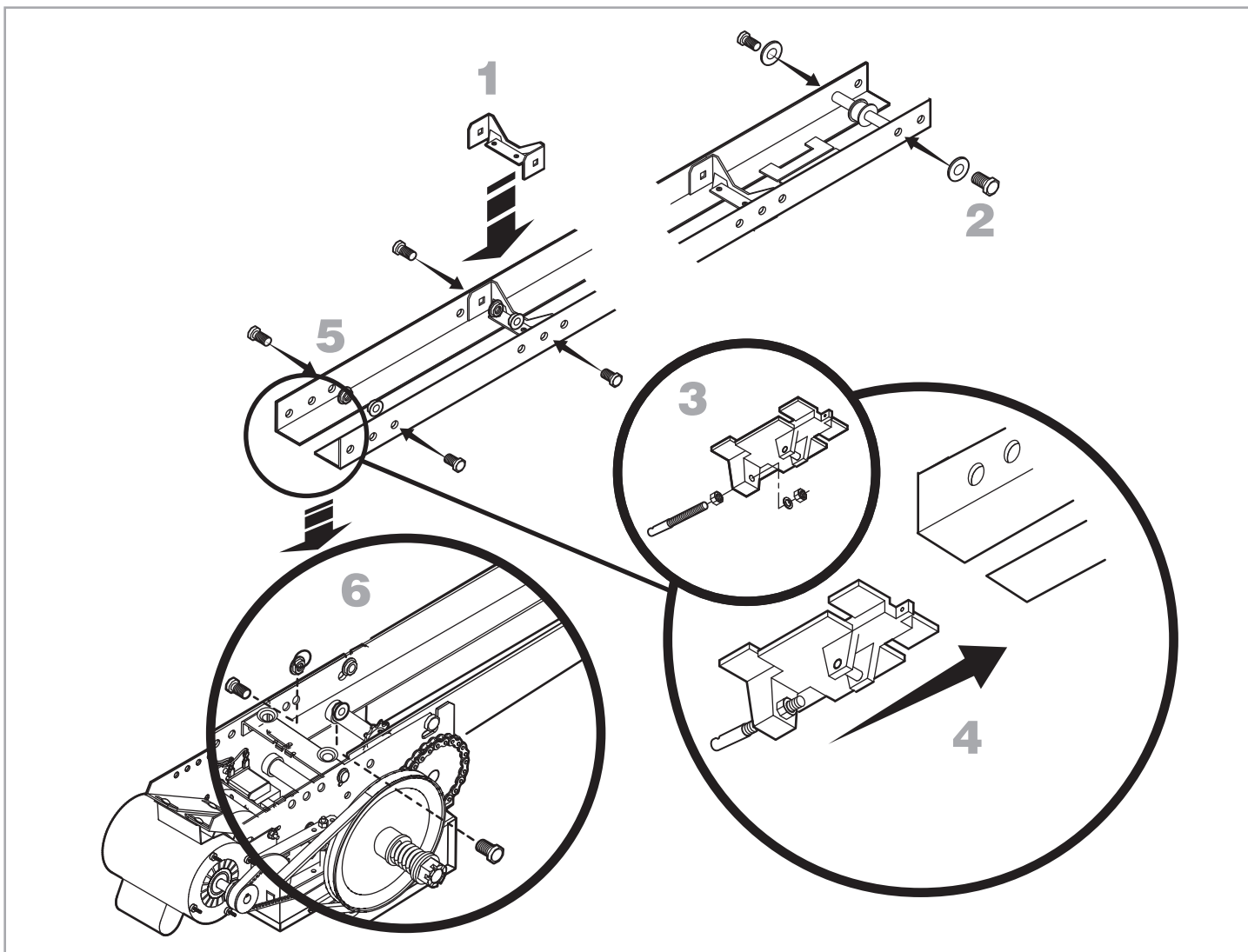
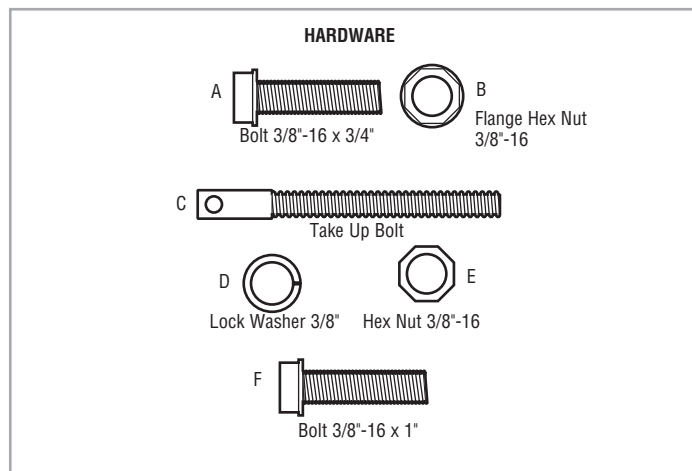
ASSEMBLE THE OPERATOR (MODELS T AND GT)

NOTE: For Model APT assembly refer to page 9.

- 1 Install the track spacers evenly over the length of the track. Fasten the spacers to the track with bolt (A) and flange hex nuts (B).

SPACERS PROVIDED	TRACK LENGTH
2	8-14 Foot
3	16-20 Foot
4	22-24 Foot

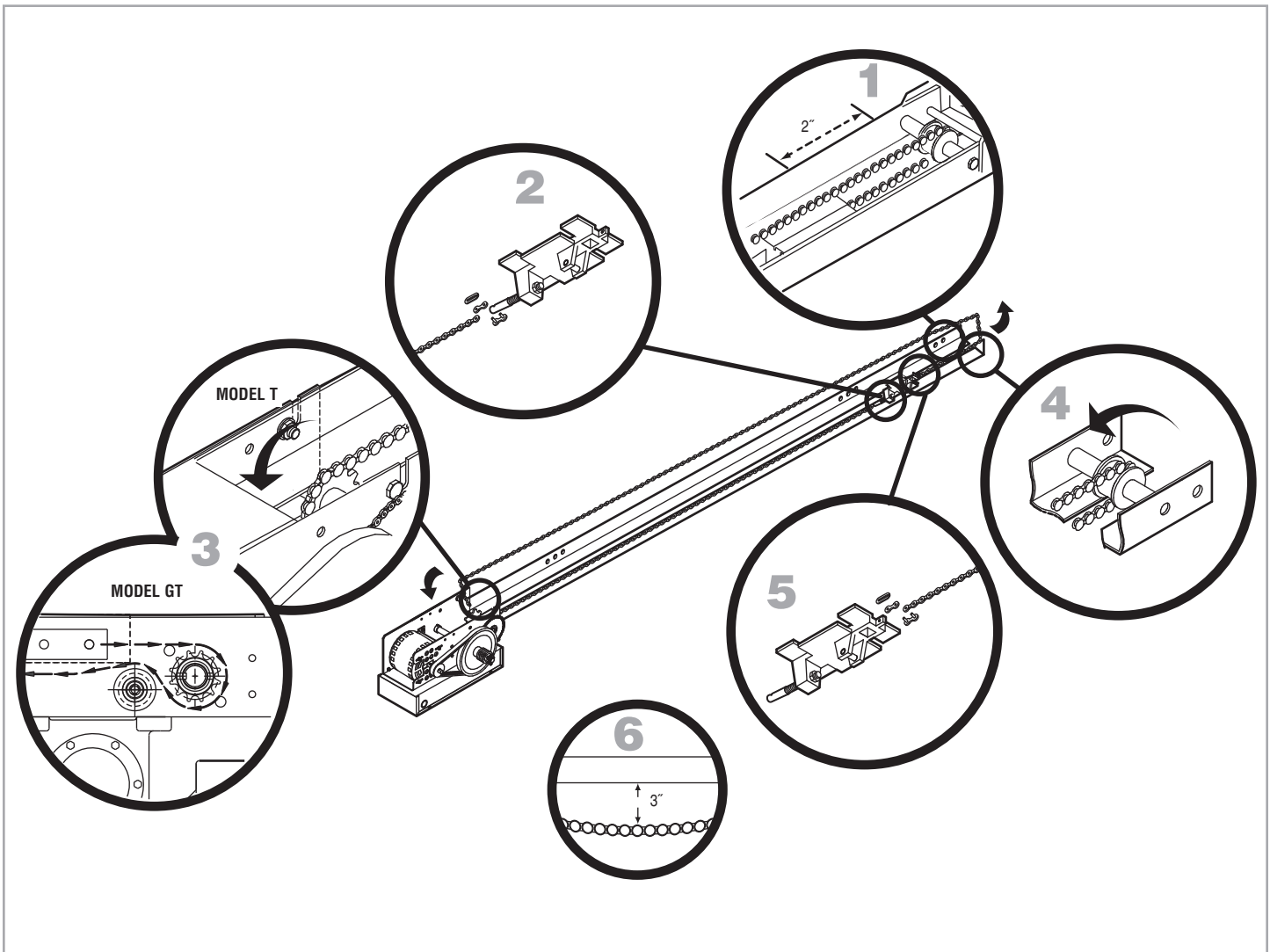
- 2 Install the front idler to the track with bolts (F) and washers (D).
- 3 Assemble the trolley with the take up bolt (C), hex nuts (E), and lock washer (D).
- 4 Slide the trolley onto the track.
- 5 Insert bolts (A) into the end of the track and loosely thread the nuts (B) onto the ends of the bolts.
- 6 Slide bolts (A) on the end of the track assembly into the "L" slot in the operator and tighten nuts (B). Insert bolts (A) into the holes on the end of the track and the operator. Secure the track with nuts (B).



INSTALL THE CHAIN (MODELS T AND GT)

NOTE: For Model APT assembly refer to page 9.

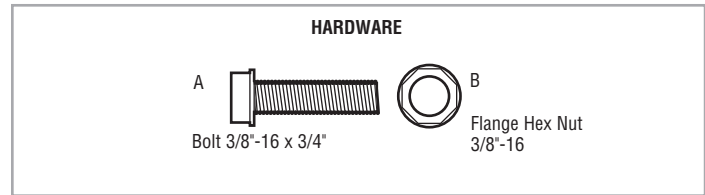
- 1** Position the trolley 2 inches away from the front idler.
- 2** Attach the chain to the trolley threaded shaft using the master link.
- 3** Run the chain along the track to the operator. Wrap the chain around the operator drive sprocket.
- 4** Run the chain along the track to the front idler. Wrap the chain around the front idler.
- 5** Attach the chain to the front of the trolley using the master link.
- 6** Tighten the chain until the chain sags about 3 inches at the mid point of the track.



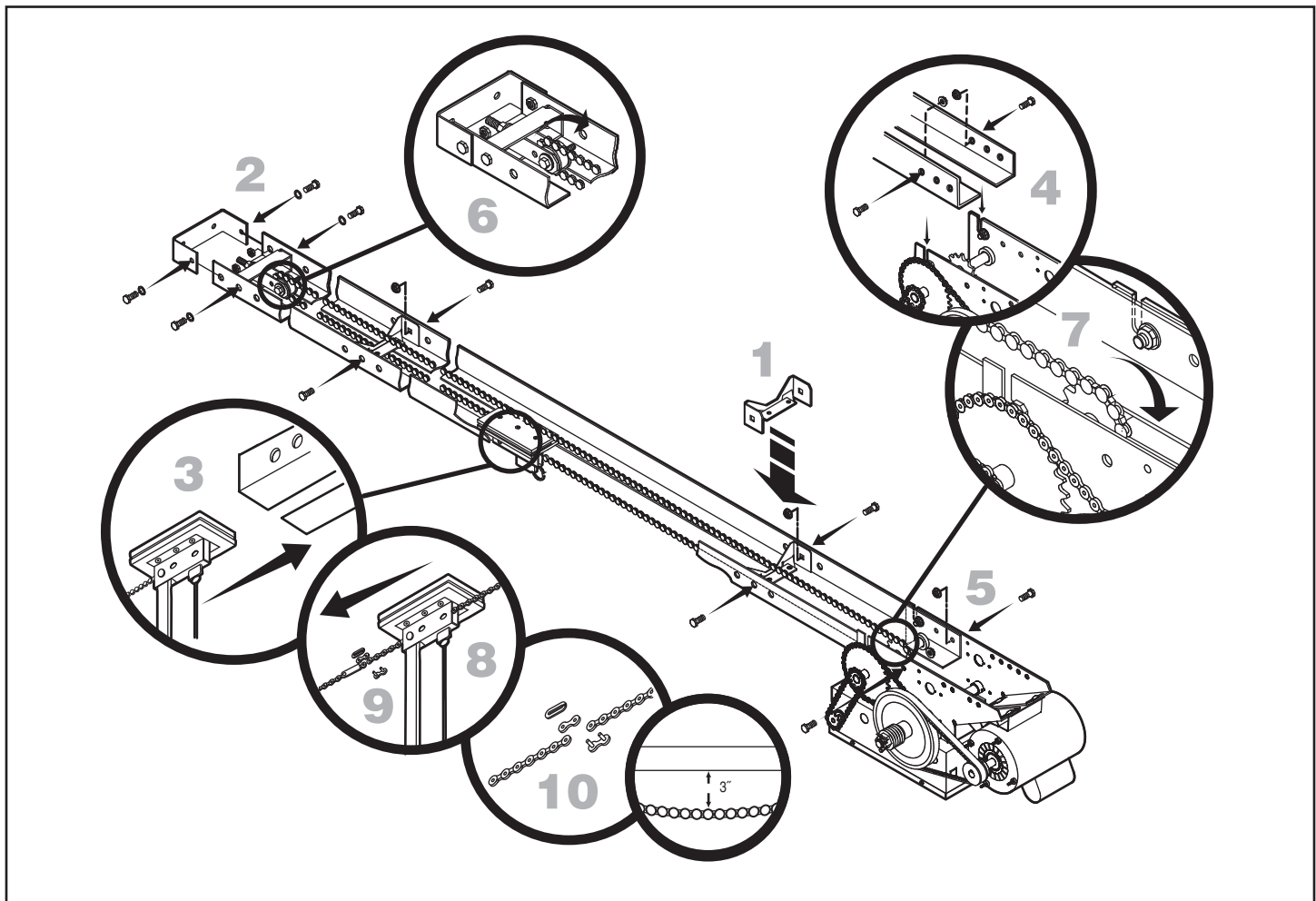
ASSEMBLE THE OPERATOR (MODEL APT)

NOTE: If your model is not an APT, proceed to the next page.

- 1** Install the track spacers evenly over the length of the track. Fasten the spacers to the track with bolt (A) and flange hex nuts (B).
- 2** Install the front idler in the second set of holes on the end of the track with bolts (A) and nuts (B).
- 3** Slide the trolley onto the track so the door arm hole faces the front (towards the door).
- 4** Insert bolts (A) into the end of the track and loosely thread the nuts (B) onto the ends of the bolts. Slide bolts (A) on the end of the track assembly into the "L" slot in the operator and tighten nuts (B).
- 5** Insert bolts (A) into the holes on the end of the track and the operator. Secure the track with nuts (B).
- 6** Run the chain along the track to the front idler. Wrap the chain around the front idler.
- 7** Run the chain along the track to the operator. Wrap the chain around the operator drive sprocket.



- 8** Pull the release clip on the trolley and push the end of the chain through the slot in the trolley.
- 9** Attach one end of the chain to the drive link using a master link.
- 10** Attach the other end of the chain to the free end of the drive link using a master link and making sure the chain has the correct tension (the chain should sag about 3 inches at the mid point of the track). The chain will need to be cut for proper adjustment. The take-up bolt can be loosened or tightened to adjust the slack of the chain. Slide the trolley back and forth past the drive chain to ensure there is no binding.



TYPICAL INSTALLATION

INSTALL THE HEADER BRACKET

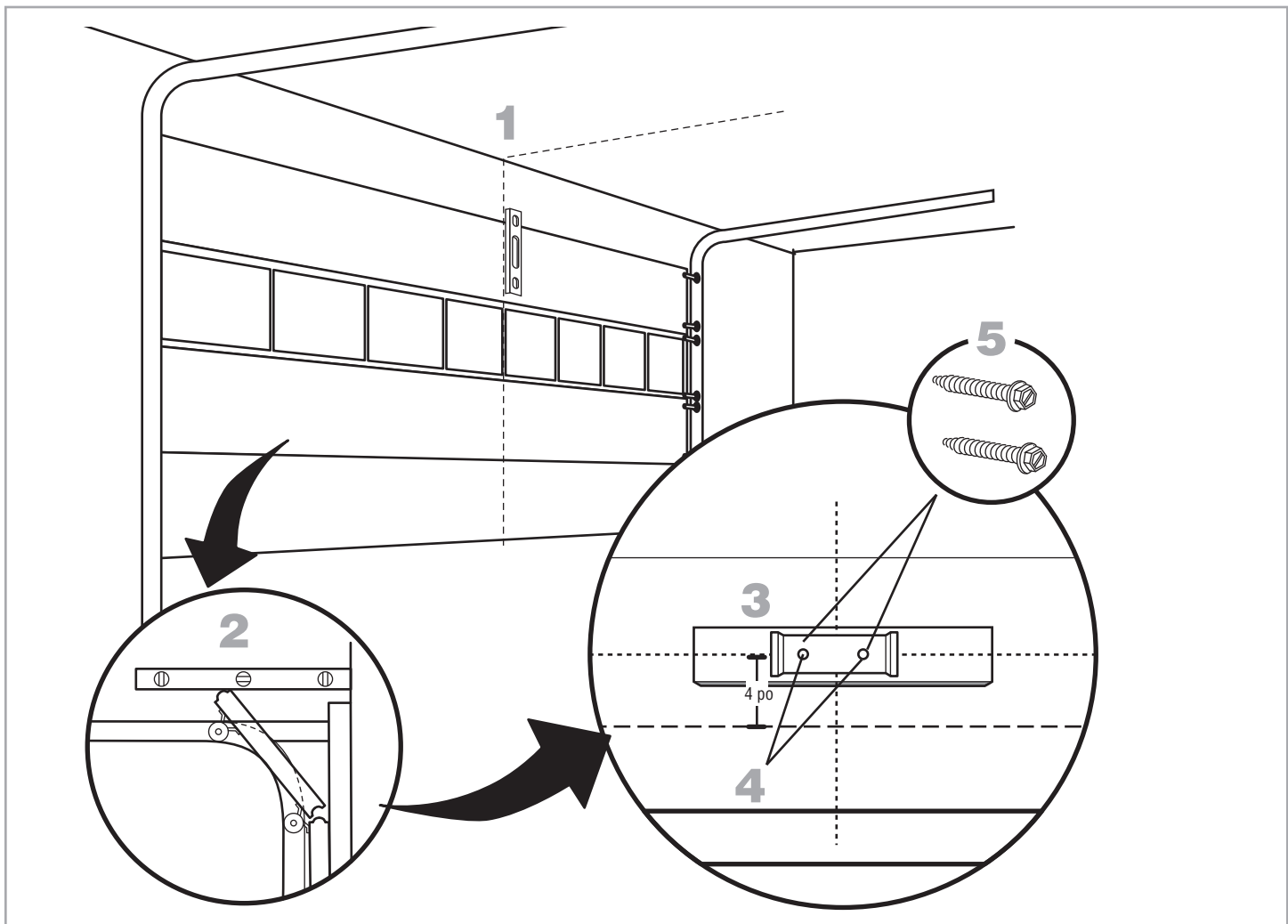
The trolley operator is generally mounted over the center of the door. However, off center mounting may be required due to interfering structures or location of door stile / top section support. Typically, the operator may be mounted up to 24 inches off center on torsion spring doors. Extension springs require center mounting.

- 1 Close the door. Mark the center of the door with a vertical line, extend the line onto the ceiling.
- 2 Open the door to the highest point of travel mark 4 inches above the highest point of travel.
- 3 Center the header bracket on the vertical center line and the horizontal line.
- 4 Drill the pilot holes for the header bracket.
- 5 Fasten the header bracket with appropriate hardware (not provided).

⚠ WARNING

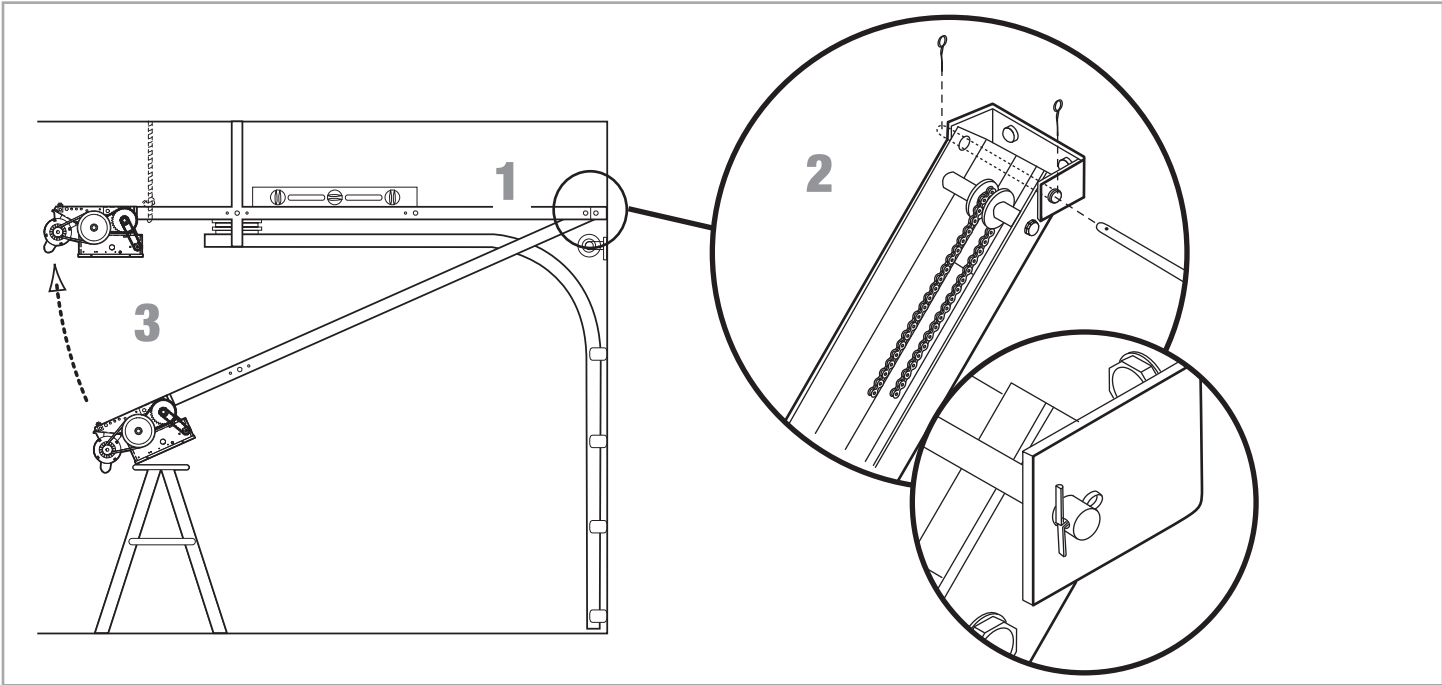
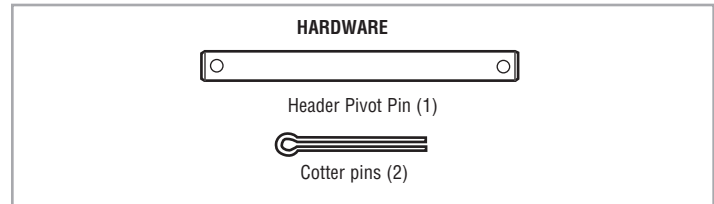
To prevent possible **SERIOUS INJURY** or **DEATH**:

- Header bracket **MUST** be **RIGIDLY** fastened to structural support on header wall or ceiling, otherwise door might **NOT** reverse when required. **DO NOT** install header bracket over drywall.
- Concrete anchors **MUST** be used if mounting header bracket or 2x4 into masonry.
- **NEVER** try to loosen, move or adjust door, springs, cables, pulleys, brackets, or their hardware, **ALL** of which are under **EXTREME** tension.
- **ALWAYS** call a trained door systems technician if door binds, sticks, or is out of balance.



ATTACH THE TRACK TO THE HEADER BRACKET

- 1 Align the track with the header bracket.
- 2 Insert the pin through the track and header bracket holes. Secure with the fasteners.
- 3 Swing the operator up and ensure the operator is level.



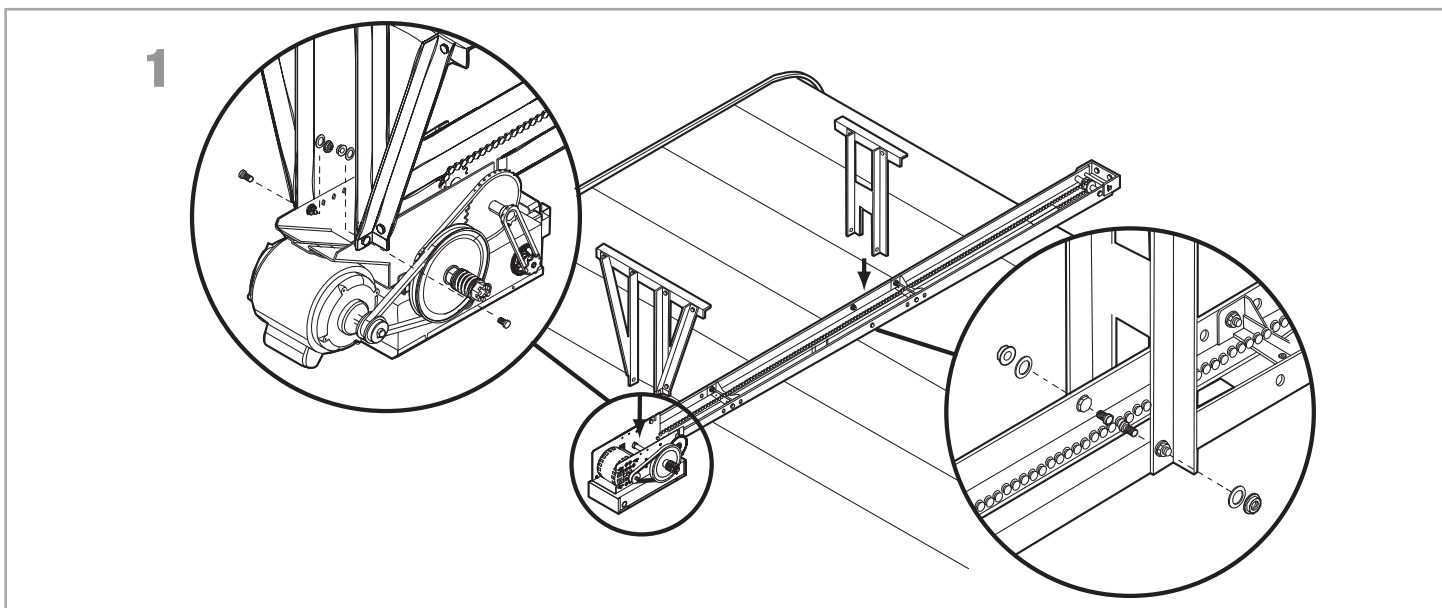
HANG THE OPERATOR

- 1 Secure the operator using the appropriate fasteners and locking hardware that will support the weight of the operator.

CAUTION

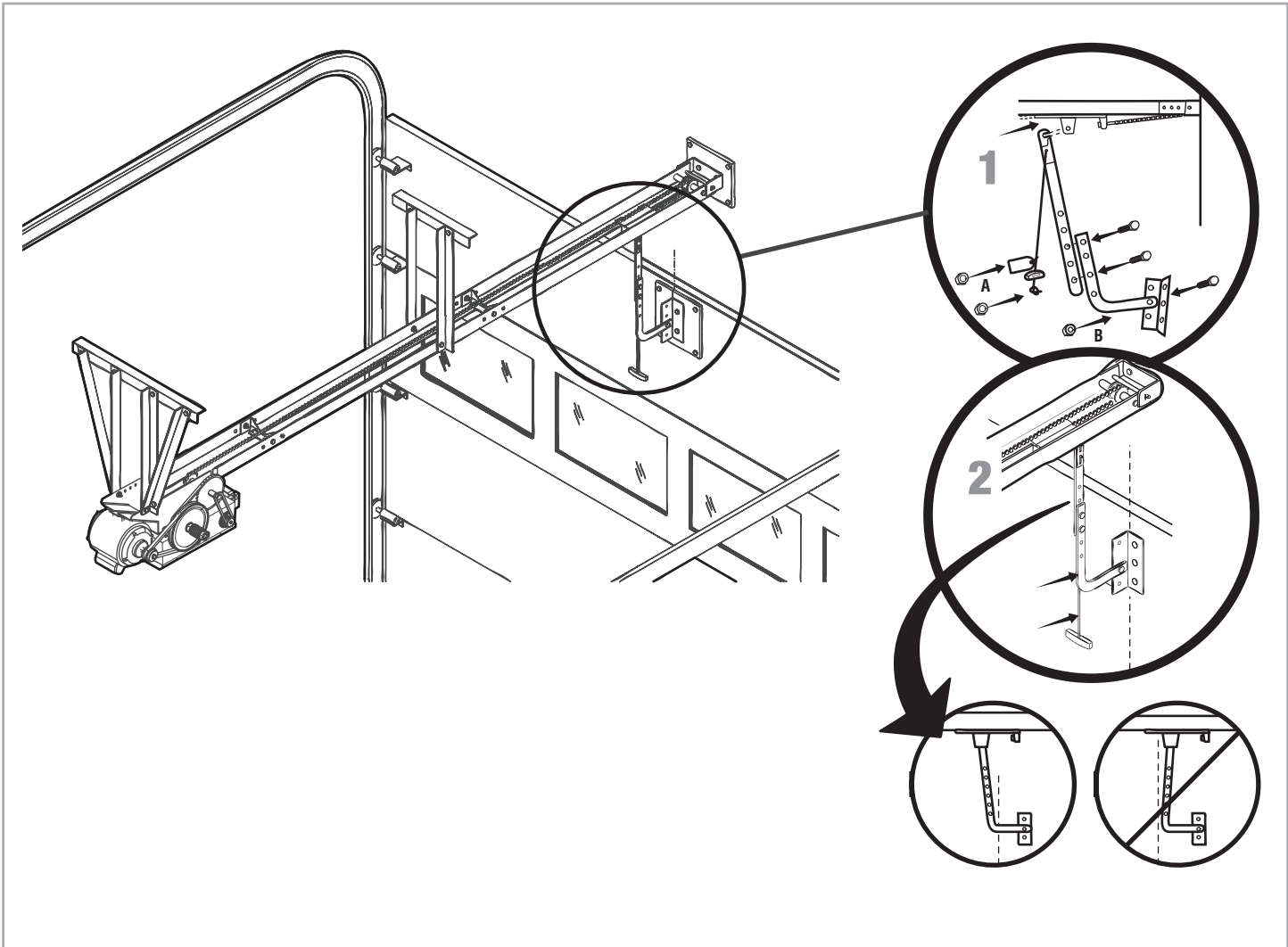
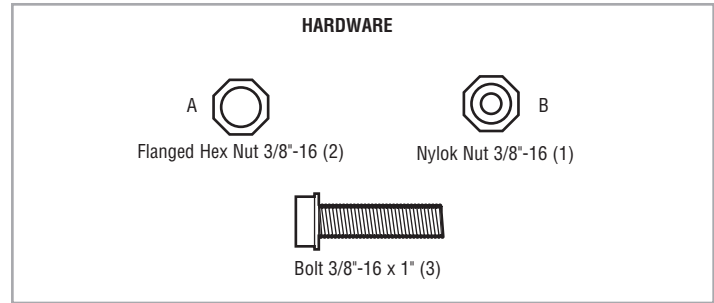
To avoid possible **SERIOUS INJURY** from a falling operator:

- Fasten the operator **SECURELY** to structural supports of the building.
- Concrete anchors **MUST** be used if installing **ANY** brackets into masonry.



ATTACH THE DOOR ARM

- 1 Latch the door arm to the trolley. Make sure the open side of the notch on the door arm faces the door.
- 2 Position the door bracket to the center line of the door and attach the door bracket to the door using appropriate hardware (not included). **NOTE:** When properly installed and adjusted the door arm should be leaning back toward the operator slightly. Refer to door manufacturer's instructions for recommended installation guidelines.



HOIST AND JACKSHAFT OPERATORS

CARTON INVENTORY

Before beginning your installation check that all components were provided.

DESCRIPTION
Powerhead assembly
Owner's manual and caution labels
Hardware box (includes fasteners, track spacers, trolley, door arm assembly, front idler and header mounting bracket)
3-Button control station with MAS LED
Hoist hand chain (Models H, HJ and GH ONLY)
Door sprocket
Door/operator drive chain

ENTRAPMENT PROTECTION DEVICES:

LiftMaster Monitored Entrapment Protection (LMEP)

Monitored photoelectric sensors and/or door edge sensors are required for any momentary contact to close modes of operation. See pages 20-21 for additional information. Refer to the accessories page 42, 'Entrapment Protection Devices' for available options.

OPERATOR SPECIFICATIONS

MOTOR					ELECTRICAL	
TYPE: Continuous duty					TRANSFORMER: 24Vac Secondary	
HORSEPOWER:					CONTROL STATION: NEMA 3-Button Station Open/Close/Stop w/LED	
Model J, H and HJ. 1/3, 1/2, 3/4 and 1 HP					WIRING TYPE: C2 (Factory default)	
Model GH 1/2, 3/4, 1, 1-1/2, 2 and 3 HP					Momentary contact to OPEN & STOP, constant pressure to CLOSE, plus wiring for LMEP device to reverse and auxiliary devices to open and close with open override. See page 28 for optional wiring types and operating modes.	
SPEED: 1725 RPM					LIMIT ADJUST: Linear driven, fully adjustable screw type cams. Adjustable to 24 feet.	
VOLTAGE:					DISCONNECT:	
Model J, H and HJ. 115/230V 1 Phase					Model J Floor level disconnect for manual door operation	
208/230/460/575V 3 Phase					Model H and GH Floor level chain hoist with electrical interlock for manual door operation	
Model GH 115/230V 1 Phase					Model HJ Includes both floor level disconnect systems stated above	
208/230/460/575V 3 Phase						
CURRENT (Amperage):						
Models H, HJ, and J						
Voltage-Phase	1/3 HP	1/2 HP	3/4 HP	1 HP		
115-1Ø, 60Hz	8.5	11.2	13.6	16		
230-1Ø, 60Hz	4.2	5.6	6.8	8		
208/230-3Ø, 60Hz	3	3.1	4	6		
460-3Ø, 60Hz	1.5	1.75	2	3		
575-3Ø, 60Hz	1.3	1.4	1.6	1.8		
Model GH						
Voltage-Phase	1/2 HP	3/4 HP	1 HP	1-1/2 HP	2 HP	3 HP
115-1Ø, 60Hz	11.2	13.6	16	20	-	-
230-1Ø, 60Hz	5.6	6.8	8	10	-	-
208/230-3Ø, 60Hz	3.1	4	6	7	8	10.6
460-3Ø, 60Hz	1.75	2	3	3.5	4	4.8
575-3Ø, 60Hz	1.4	1.6	1.8	2.75	3	-

HOIST AND JACKSHAFT

OPERATOR SPECIFICATIONS

MECHANICAL

DRIVE REDUCTION:

Model J, H, and HJ Primary: Heavy duty (5L) V-Belt
 Secondary: #48 chain/sprocket;
 Output: #50 chain

Model GH Primary: 45:1 for 1/2, 3/4 and 1 HP
 Worm gear-in-oil bath gear reducer 44:1 for 1-1/2 and 2 HP
 42:1 for 3 HP
 Output: #50 chain

OUTPUT SHAFT SPEED:

Model J, H and HJ. 36 RPM

Model GH 38.3 for 1/2, 3/4 and 1 HP
 39.2 for 1-1/2 and 2 HP
 41.1 for 3 HP

DOOR SPEED:

Model J, H and HJ. 8-9" per second depending on door

Model GH 8-9" per second depending on door

BRAKE: . . . Solenoid actuated disc brake: Standard on Models GH and GT (available as an option on Models J, H, and HJ)

BEARINGS Output shaft: Shielded ball bearing
 Clutch shaft: IronCopper sintered and oil impregnated
 Models H and HJ ONLY

HAND CHAIN WHEEL: Left or right handing
 Models H and HJ ONLY

HOIST WHEEL: Standard mounting on left or right side

MAXIMUM DOOR AREA (SQ. FT.)

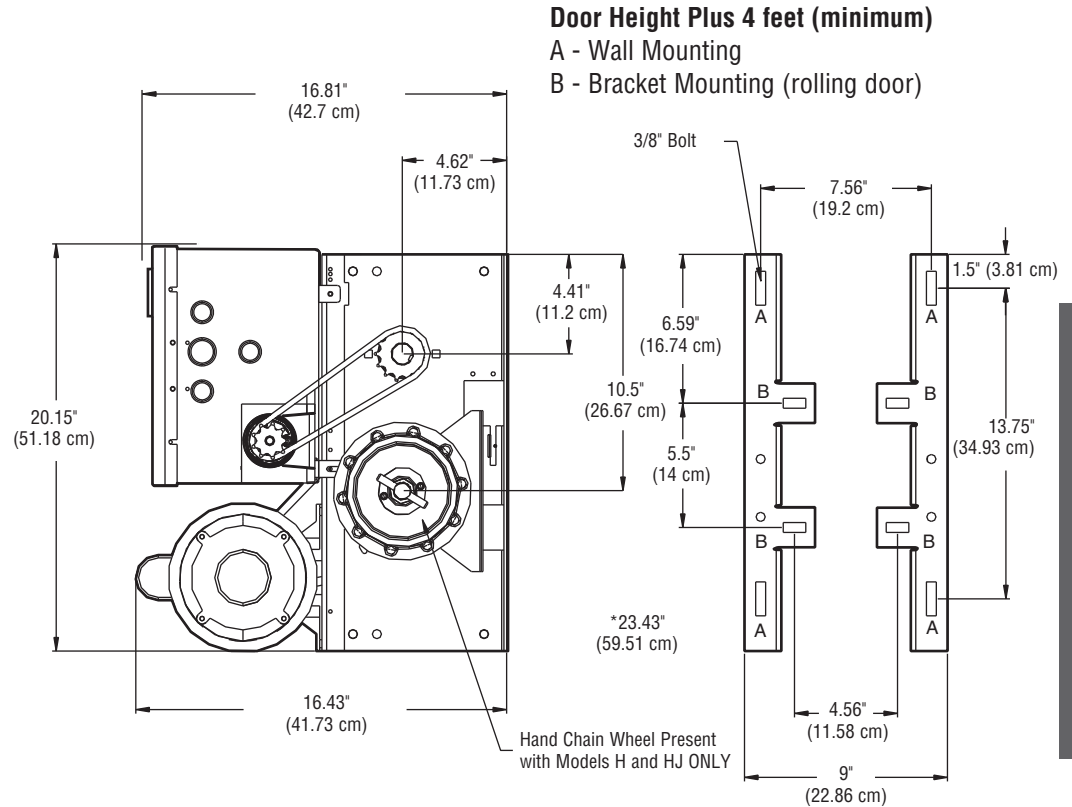
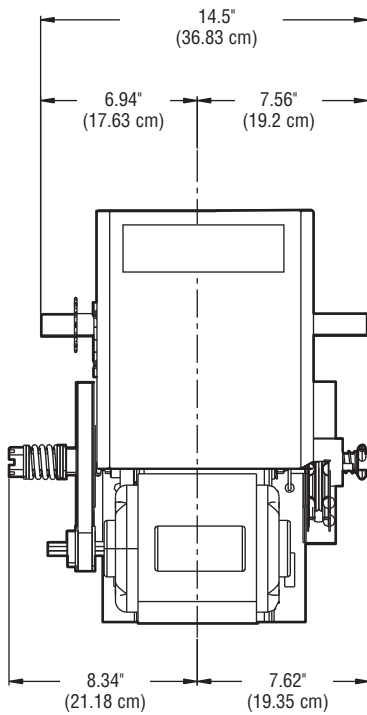
MODELS J, H, AND HJ						
ROLLING	24 ga. Steel	22 ga. Steel	---	20 ga. 18 ga. Steel	16 ga. Steel	---
	Alum. Grilles	Alum. Doors	---	Steel Grilles	---	---
SECTIONAL	---	24 ga. 22 ga. Steel	20 ga. Steel	---	16 ga. Steel	---
	Fiberglass Doors	Alum. Doors	Wood Doors	---	---	---
	---	---	24 ga. Steel Insul.	---	20 ga. Steel Insul.	16 ga. Steel Insul.
1/3 HP	310	285	260	210	175	125
1/2 HP	400	350	320	280	250	200
3/4 HP	560	500	450	380	325	250
1 HP	640	625	560	475	400	310

MODEL GH						
ROLLING	24 ga. Steel	22 ga. Steel	---	20 ga. 18 ga. Steel	16 ga. Steel	---
	Alum. Grilles	Alum. Doors	---	Steel Grilles	---	---
SECTIONAL	---	24 ga. 22 ga. Steel	20 ga. Steel	---	16 ga. Steel	---
	Fiberglass Doors	Alum. Doors	Wood Doors	---	---	---
	---	---	24 ga. Steel Insul.	---	20 ga. Steel Insul.	16 ga. Steel Insul.
1/2 HP	325	300	275	250	225	175
3/4 HP	480	430	390	340	275	225
1 HP	650	560	500	430	325	300
1-1/2 HP	---	---	680	540	425	375
2 HP	---	---	---	640	560	460
3 HP	---	---	---	875	840	620
5 HP	Call for specifications					

WEIGHTS AND DIMENSIONS

MODELS J, H AND HJ

Hanging Weight: 80-110 lbs.

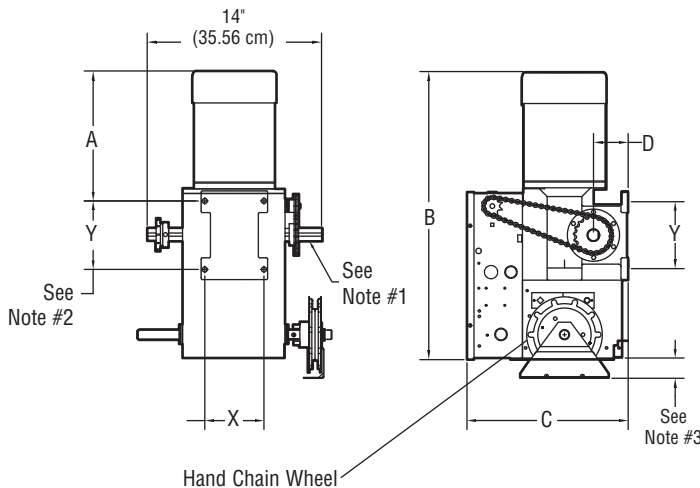


Door Height Plus 4 feet (minimum)
 A - Wall Mounting
 B - Bracket Mounting (rolling door)

HOIST AND JACKSHAFT

MODEL GH

Hanging Weight: 140 lbs.



HP	PHASE	DIMENSIONS			
		A	B	C	D
1/2	1	11-1/2	25-3/4	12-63/64	3
3/4	1	12-1/2	26-3/4	12-63/64	3
1	1	12-3/4	27	12-63/64	3
1-1/2	1	12-3/4	27	13-63/64	3-1/2
1/2	3	11	25-1/4	12-63/64	3
3/4	3	11	25-1/4	12-63/64	3
1	3	12	26-1/4	12-63/64	3
1-1/2	3	12-1/2	26-3/4	13-63/64	3-1/2
2	3	12-3/4	27	13-63/64	3-1/2
3	3	13-1/4	28-5/8	15-15/64	3-15/16

NOTES:

- 1) Output shaft with 1" x 1/4" key for 1/2 thru 1 HP operators, 1-3/16" x 5/16" key for 1-1/2 and 2 HP operators, 1-1/4" x 1/4" key for 3 HP operators.
- 2) Mounting centers: X = 4-3/4"; Y = 5-1/2" for 1/2 thru 2 HP operators.
X = 3-5/8"; Y = 9-1/16" for 3 HP operators.
- 3) Hand chain wheel extends 1-5/8" beyond operator in vertical mounting position as shown.

ASSEMBLY

ASSEMBLE THE OPERATOR

It is imperative that the wall or mounting surface provide adequate support for the operator.

This surface must:

- a. Be rigid to prevent play between the operator and the door shaft.
- b. Provide a level base.
- c. Permit the operator to be fastened securely and with the drive shaft parallel to the door shaft.

1 Select handing. Right (R) or Left (L).

On models J, H, HJ and GH operators the drive sprocket can be mounted on either the right or left side.

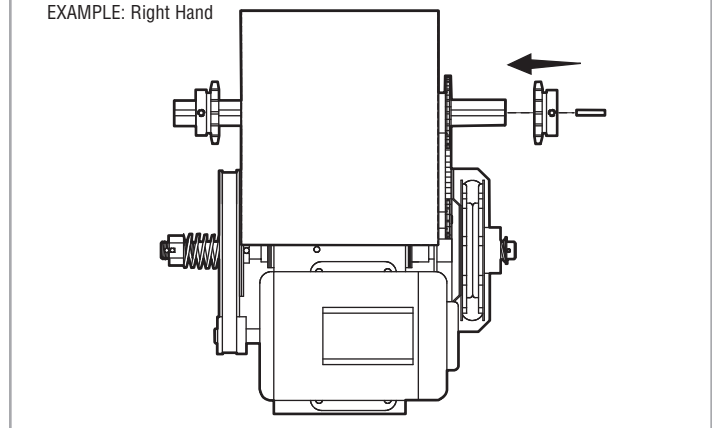
For models H and HJ with manual hand chain systems, the handing of the operator must be determined at the time of order. The handing is indicated by the last letter of the model number (R or L). The hand chain wheel cannot be switched. If your installat on causes the hand chain to hang in the door opening, hook the chain to the side near the top of the door jamb.

WARNING

To prevent possible **SERIOUS INJURY** or **DEATH**:

- **DO NOT** connect electric power until instructed to do so.
- If the door lock needs to remain functional, install an interlock switch.
- **ALWAYS** call a trained door systems technician if door binds, sticks or is out of balance. An unbalanced door may **NOT** reverse when required.
- **NEVER** try to loosen, move or adjust doors, door springs, cable, pulleys, brackets or their hardware, **ALL** of which are under **EXTREME** tension and can cause **SERIOUS PERSONAL INJURY**.
- Disable **ALL** locks and remove **ALL** ropes connected to door **BEFORE** installing and operating door operator to avoid entanglement.
- Fasten the operator **SECURELY** to structural supports of the building.
- Concrete anchors **MUST** be used if installing **ANY** brackets.

EXAMPLE: Right Hand



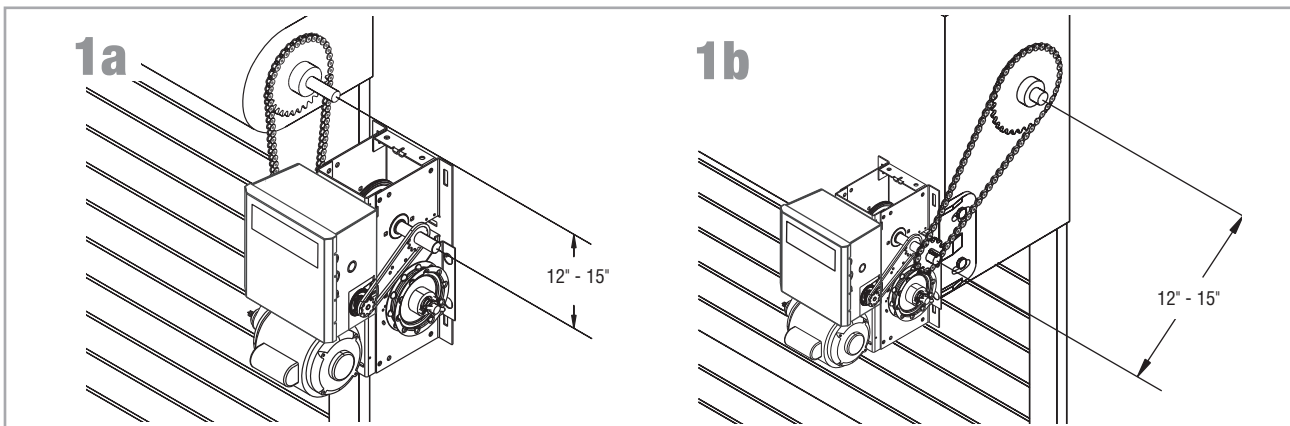
TYPICAL INSTALLATION

DETERMINE MOUNTING LOCATION

1 The operator may be mounted on the wall, shelf or bracket (not provided, see accessories). The optimum distance between the door shaft and operator drive shaft is 12 - 15 inches.

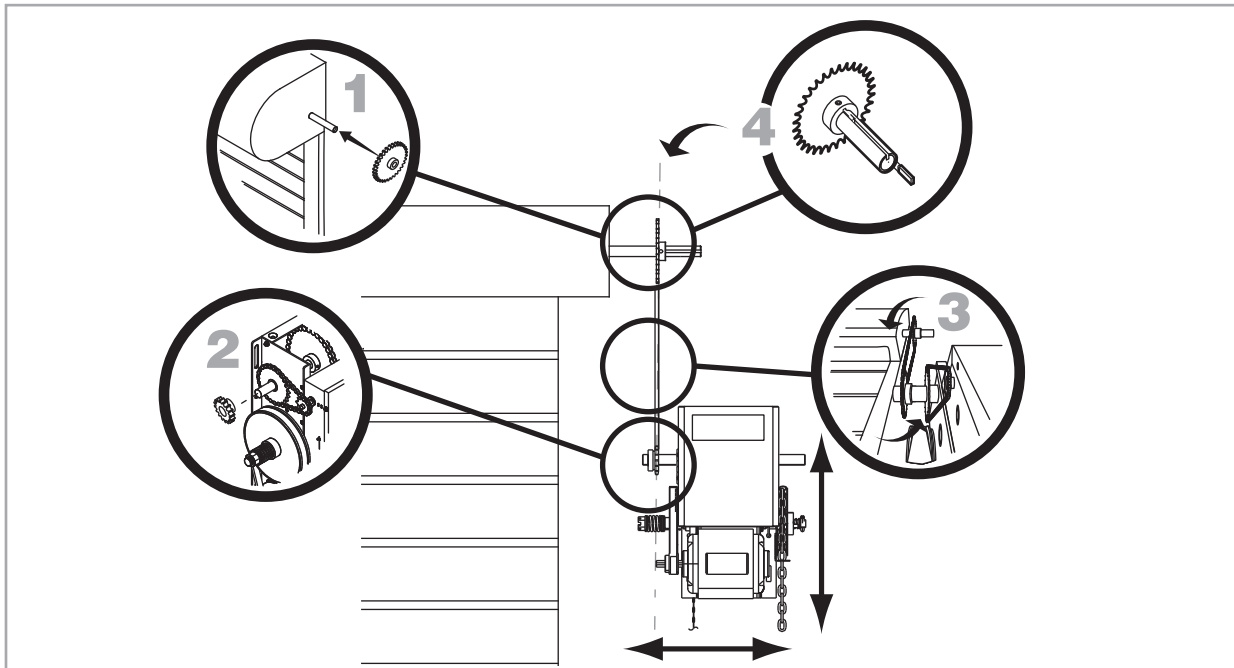
1a Wall mount

1b Shelf or bracket mount



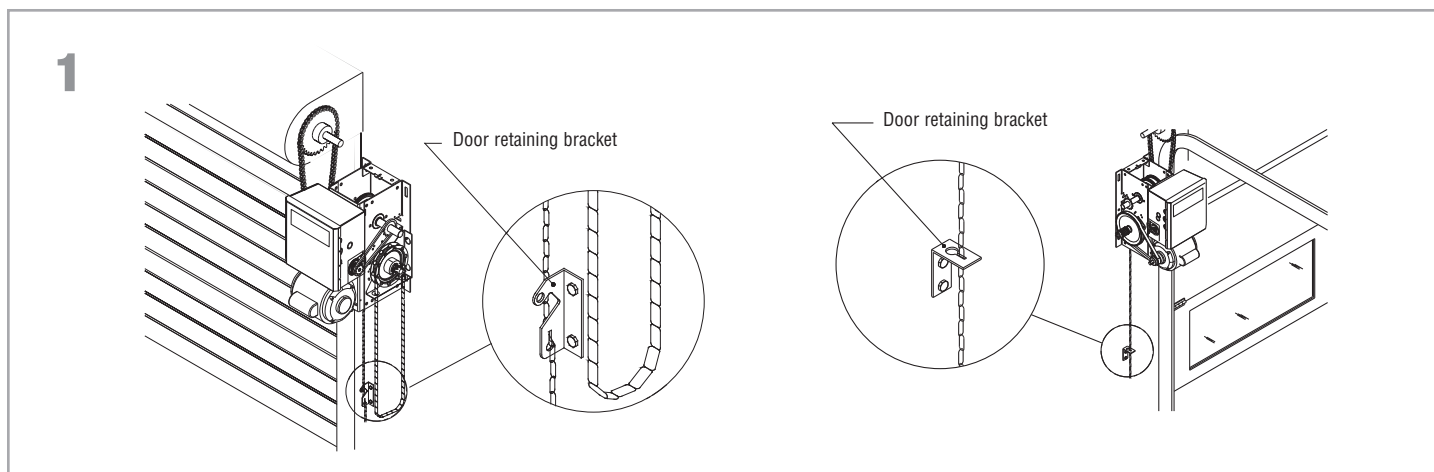
MOUNTING

- 1 Place the door sprocket on the door shaft.
- 2 Place the operator drive sprocket on the appropriate side of the operator for your installation type.
- 3 Wrap the drive chain around the door sprocket and the drive sprocket then secure with the master link.
- 4 Align the door and the drive sprockets. Insert keys and fasten the sprockets with the set screws. **NOTE:** It is highly recommended to add a thread adhesive to secure the set screws in place.



INSTALL THE MANUAL DISCONNECT

- 1 Fasten Door retaining bracket 4 feet above the floor.



WIRING

WARNING

To reduce the risk of SEVERE INJURY or DEATH:

- ANY maintenance to the operator or in the area near the operator MUST NOT be performed until disconnecting the electrical power and locking-out the power. Upon completion of maintenance the area MUST be cleared and secured, at that time the unit may be returned to service.
- Disconnect power at the fuse box BEFORE proceeding. Operator MUST be properly grounded and connected in accordance with national and local electrical codes. The operator should be on a separate fused line of adequate capacity.

- ALL electrical connections MUST be made by a qualified individual.
- DO NOT install ANY wiring or attempt to run the operator without consulting the wiring diagram.
- ALL power wiring should be on a dedicated circuit and well protected. The location of the power disconnect should be visible and clearly labeled.
- ALL power and control wiring MUST be run in separate conduit.

POWER AND GROUND

Power and control wiring must be run in separate conduit in accordance with national and local electrical codes. Must use 14 AWG or heavier wire for power wiring. Use conduit knockouts for wiring as indicated on the electrical box labels.

- 1 Remove the operator cover.
- 2 Run power wires to electrical box according to national and local electrical codes.
ON THREE PHASE MACHINES ONLY: Incorrect phasing of the power supply will cause the motor to rotate in the wrong direction. To change motor rotation, exchange incoming power leads L1 and L2.
- 3 Attach power and ground wires to appropriate terminals.
IMPORTANT NOTE: This operator must be properly grounded. Failure to properly ground the operator could result in electric shock and serious injury.

POWER WIRING CHART

DISTANCE	GAUGE
50 feet	14 AWG
100 feet	12 AWG
200 feet	8 AWG*
350 feet	6 AWG*
500 feet	4 AWG*
1000 feet	2 AWG*

* Maximum wire gauge that can be connected to the operator's terminal is 12 AWG. When a larger wire gauge is required, the wire must be gauged down to 12 AWG. USE COPPER WIRE ONLY.

NOTE: In some installations, such as a through-wall-installation, the rotation of the motor and logic board may have to be changed.

1. Locate the MOTOR DIRECTION jumper on the logic board. Remove jumper and relocate from STD to REV.
2. Relocate the sensing limit switch (SLS) to the opposite side.
3. Remove CLOSE/OPEN decal and reattach appropriately.

WIRING

1

2

POWER WIRING
USE COPPER WIRE ONLY 40-10031B

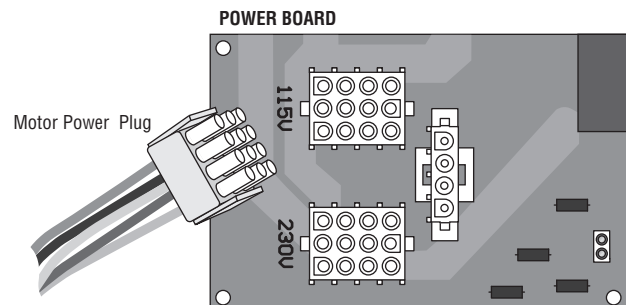
3

Single Phase Power Wiring

Three Phase Power Wiring

MOTOR POWER PLUG SELECTION

- 1 Locate motor power lead with plug.
- 2 On the POWER BOARD find the appropriate receptacle that matches the incoming line voltage. Remove the label and insert the motor power cable fully until locked in place.



CONTROL STATION

WARNING

To prevent possible SERIOUS INJURY or DEATH from electrocution:

- Be sure power is NOT connected BEFORE installing door control.

To prevent possible SERIOUS INJURY or DEATH from a closing door:

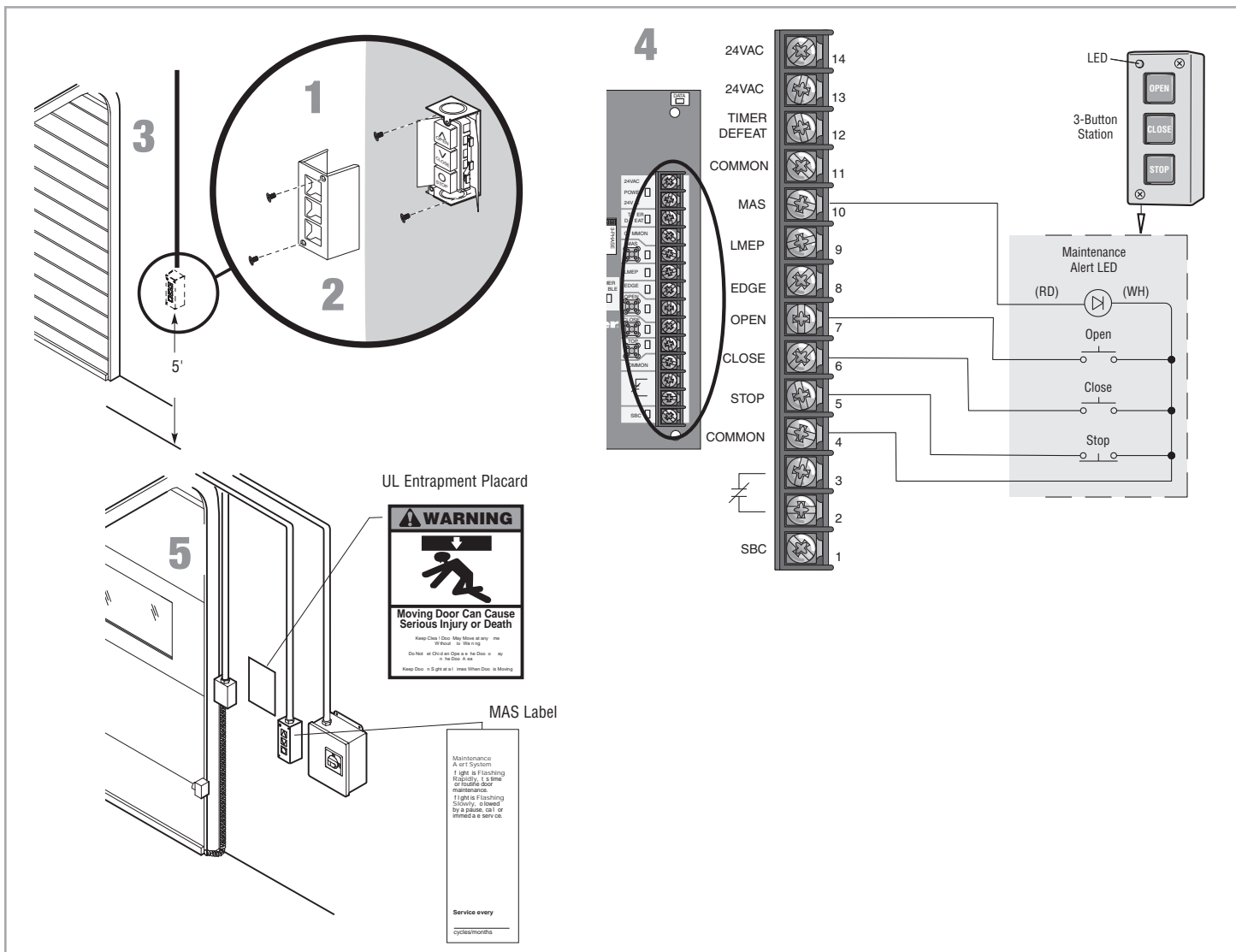
- Install door control within sight of door, out of reach of children at a minimum height of 5 feet (1.5 m) and away from ALL moving parts of door.
- Install the control station far enough from the door to prevent the user from coming in contact with the door while operating the controls.

- Install the entrapment warning placard on wall next to the control station in a prominent location that is visible from the door.
- NEVER permit children to operate or play with door control push buttons or remote controls.
- Activate door ONLY when it can be seen clearly, is properly adjusted and there are no obstructions to door travel.
- ALWAYS keep door in sight until completely closed. NEVER permit anyone to cross path of closing door.

NOTE: The low voltage control circuit wiring requires insulated, 20 AWG or greater wire. Refer to back page for additional control wiring.

- 1 Remove the control station cover.
- 2 Fasten the control station to the wall at least 5 feet above the ground. **The installation surface must be smooth and flat.** Attach the MAS label to the side of the control station.

- 3 Select appropriate knockout and run the wires to the operator.
- 4 Connect wires to the control station and replace the control station cover.
- 5 Fasten the entrapment warning placard next to the control station.



WIRING

ENTRAPMENT PROTECTION

LIFTMASTER MONITORED ENTRAPMENT PROTECTION (LMEP)

IMPORTANT INFORMATION ABOUT THE LIFTMASTER MONITORED ENTRAPMENT PROTECTION DEVICES

A LiftMaster Monitored Entrapment Protection (LMEP) device is required for most wiring types (refer to page 28). If a LiftMaster Monitored Entrapment Protection device is not installed, constant pressure to close will be required from the control station. Refer to Accessories page for a complete list of LMEP devices.

WARNING

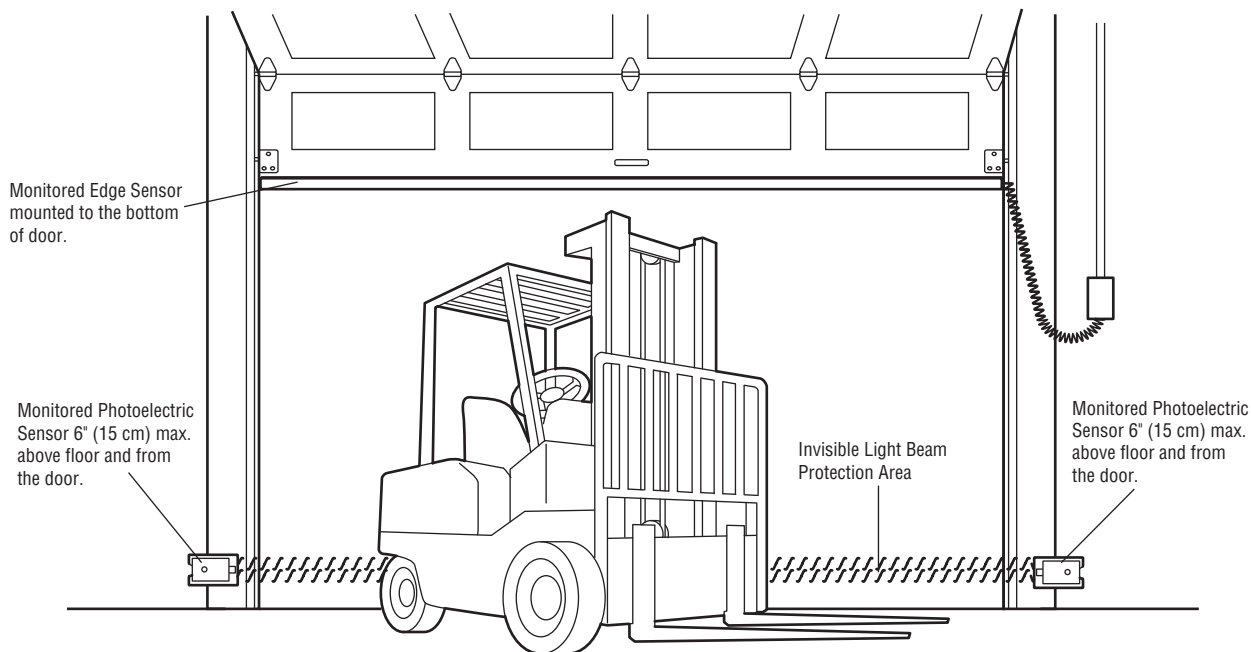
To prevent possible **SERIOUS INJURY** or **DEATH** from a closing door:

- Be sure power is **NOT** connected to the door operator **BEFORE** installing the photoelectric sensor.
- The door **MUST** be in the fully opened or closed position **BEFORE** installing the LiftMaster Monitored Entrapment Protection device.

To prevent **SERIOUS INJURY**, **DEATH**, **ENTRAPMENT**, or **PROPERTY DAMAGE**:

- Correctly connect and align the photoelectric sensor.
- Install the photoelectric sensor beam **NO HIGHER** than 6" (15 cm) above the floor.
- This is a required LMEP device for B2, TS, T, and FSTS wiring types and **MUST NOT** be disabled. For D1, C2, and E2 wiring the installation of an entrapment protection device is recommended.
- LiftMaster Monitored Entrapment Protection devices are for use with LiftMaster Commercial Door Operators **ONLY**. Use with **ANY** other product voids the warranty.
- If an edge sensor is being used on a horizontal slide door, then place one or more edge sensors on both the leading and trailing edge.
- If an edge sensor is being used on a vertically moving door, then place edge sensors on the bottom edge of the door.

TYPICAL ENTRAPMENT PROTECTION DEVICE(S) OVERVIEW



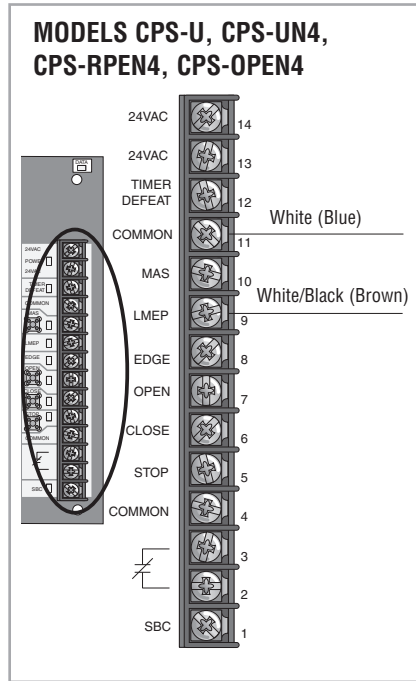
INSTALL THE LIFTMASTER MONITORED ENTRAPMENT PROTECTION (LMEP) DEVICES (OPTIONAL)

Always refer to the installation instructions that are included with your LiftMaster Entrapment Protection (LMEP) devices. Without an LMEP properly installed, the operator will only work with constant pressure to close mode of operation.

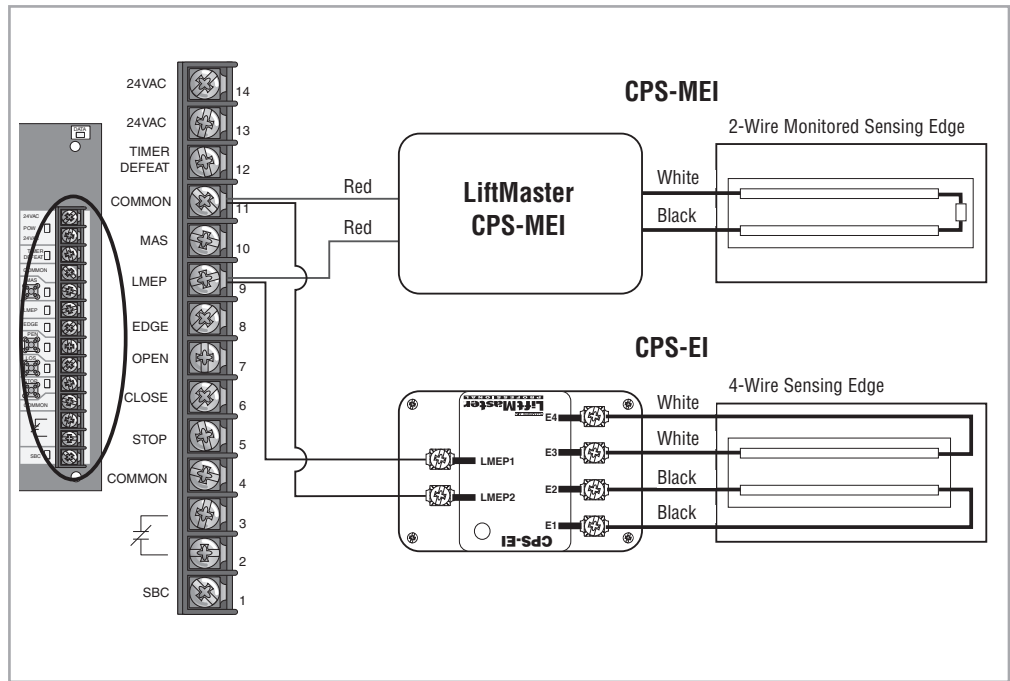
WIRE THE LIFTMASTER MONITORED ENTRAPMENT PROTECTION (LMEP) DEVICES

- 1 Connect the LiftMaster Monitored Entrapment Protection (LMEP) device to the logic board according to the models shown below:

MONITORED PHOTOELECTRIC SENSOR



MONITORED EDGE SENSOR



NOTE: Only one LMEP device can be connected to the logic board. To attach additional LMEP's, the CPS3CARD option card is required. Secondary (non-monitored) entrapment protection devices (with N.O. dry contact) will be wired to the EDGE and COMMON terminals.

ENTRAPMENT PROTECTION

ADJUSTMENT

IMPORTANT SAFETY INSTRUCTIONS

WARNING

TO REDUCE THE RISK OF SEVERE INJURY OR DEATH:

1. READ AND FOLLOW ALL WARNINGS AND INSTRUCTIONS.
2. ALWAYS keep remote controls out of reach of children. NEVER permit children to operate or play with door control push buttons or remote controls.
3. ONLY activate door when it can be seen clearly, it is properly adjusted and there are no obstructions to door travel.
4. Personnel should keep away from a door in motion and ALWAYS keep door in sight until completely closed. NO ONE SHOULD CROSS THE PATH OF THE MOVING DOOR.
5. NO ONE SHOULD GO UNDER A STOPPED, PARTIALLY OPENED DOOR.
6. If possible, use manual release handle to disengage door ONLY when door is CLOSED. Weak or broken springs or unbalanced door could result in an open door falling rapidly and/or unexpectedly causing SEVERE INJURY or DEATH.
7. NEVER use manual release handle unless doorway is clear of persons and obstructions.
8. After ANY adjustments are made, the entrapment protection device MUST be tested. Failure to adjust the operator properly may cause SEVERE INJURY and DEATH.
9. Entrapment Protection device MUST be tested every month. Failure to adjust the operator properly may cause SEVERE INJURY and DEATH.
10. ALWAYS KEEP DOOR PROPERLY BALANCED. An improperly balanced door may NOT reverse when required and could result in SEVERE INJURY or DEATH. See door manufacturer's owners manual.
11. ALL repairs to cables, spring assemblies and other hardware, ALL of which are under EXTREME tension, MUST be made by a trained door systems technician.
12. ALWAYS disconnect electric power to door operator BEFORE making ANY repairs or removing covers.
13. **SAVE THESE INSTRUCTIONS.**

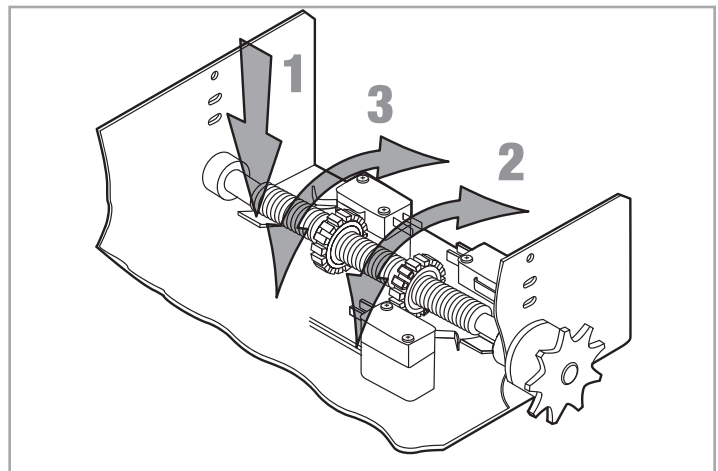
LIMIT ADJUSTMENT

- 1 Begin with the door in the fully closed position to set the CLOSE limit.
- 2 Depress the retaining plate (1) and move the limit nut to the CLOSE limits (2).
NOTE: The Close Limit Switch (CLS) and Sensing Limit Switch (SLS) LEDs on the logic board will illuminate when the switches are activated and the power is on.
- 3 When the retaining plate is released, verify that the retaining plate is fully seated with the notches of the limit nuts.
- 4 Open the door to the fully open position and set the OPEN limit (3).
NOTE: The Open Limit Switch (OLS) LED on the logic board will illuminate when the switches are activated and the power is on.
- 5 When the retaining plate is released, verify that the retaining plate is fully seated with the notches of the limit nuts.

WARNING

To avoid SERIOUS personal INJURY or DEATH from electrocution:

- Disconnect electric power BEFORE performing ANY adjustments or maintenance.



CLUTCH ADJUSTMENT (BELT DRIVE MODEL OPERATORS)

- 1 Remove the cotter pin from the clutch nut on the clutch shaft.
- 2 Turn the clutch nut to release tension.
- 3 Re-tighten the clutch nut until there is just enough tension to permit smooth operation of the door and to allow the clutch to slip if the door is obstructed.
- 4 Secure the clutch nut with the cotter pin.

ADJUST TORQUE LIMITER CLUTCH (MODEL GT)

- 1 Loosen set screws of torque adjustment nut on the gear reducer.
- 2 Back off torque nut until there is very little tension on the belleville washers.
- 3 Tighten torque nut gradually until there is just enough tension to permit the operator to move the door smoothly through a complete open/close cycle, but to allow the reducer to slip if the door is obstructed.
- 4 Re-tighten the set screw that is directly over the flat portion of the shaft.

MODEL GH (OPTIONAL MODIFICATION)

- 1 Loosen set screws on clutch nut.
- 2 Back off clutch nut until there is very little tension on the clutch spring.
- 3 Tighten clutch nut gradually until there is just enough tension to permit the operator to move the door smoothly but to allow the clutch to slip if the door is obstructed. When the clutch is properly adjusted, it should generally be possible to stop the door by hand during travel.

AUXILIARY REVERSAL SYSTEM / RPM SENSOR

The **Auxiliary Reversal System** is designed to protect the door and motorized operator. It is NOT a substitute for an entrapment device.

Feature: This feature utilizes the RPM sensor connected to the logic board to detect when the clutch slips and reverses the door (clutch must be properly adjusted). In addition, the RPM eliminates the need for a centrifugal switch on single phase motors.

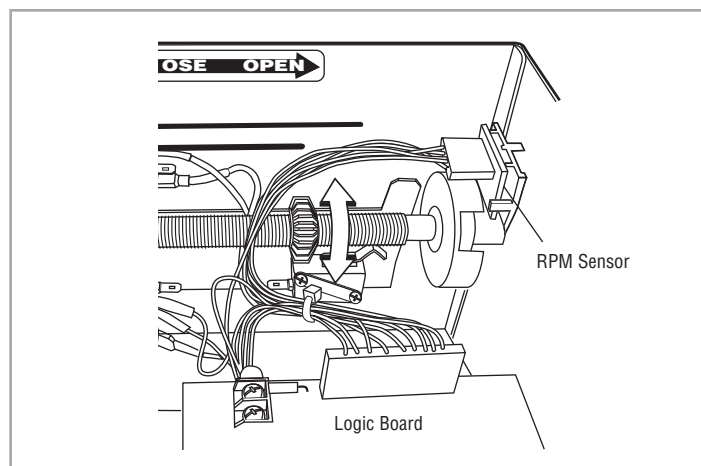
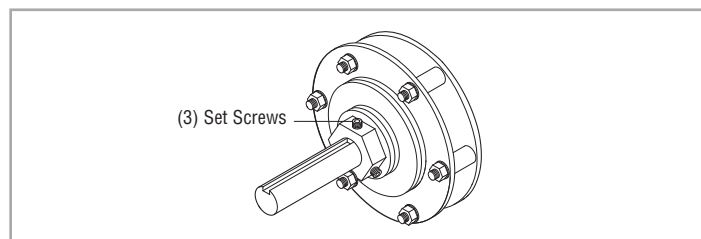
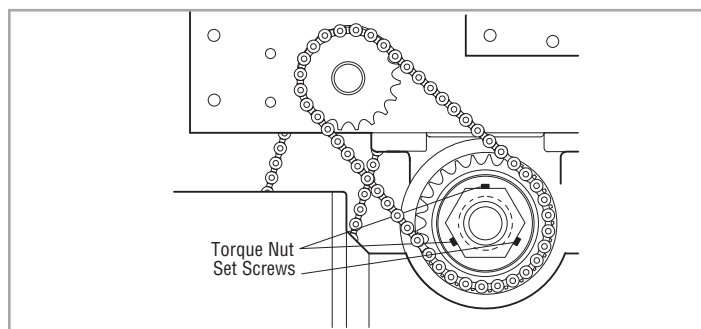
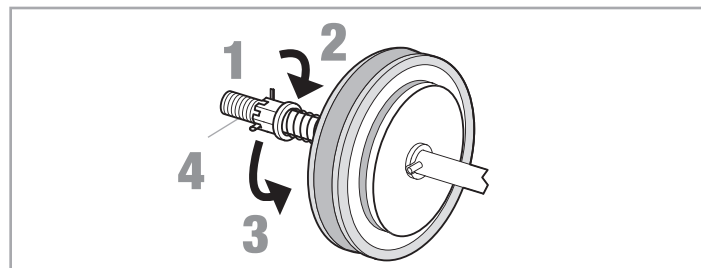
Benefit: The Auxiliary Reversal System reverses the operator upon hitting an obstruction, preventing excessive door and operator damage. UL325 requires the use of monitored entrapment protection devices for primary entrapment protection. By removing the centrifugal switch on single phase motors, the leading cause of motor failures is eliminated. (Auxiliary Reversal System is not applicable on GH models unless the clutch modification is installed.)

NOTE: This feature is automatically learned and does not require programming.

⚠️ WARNING

To avoid **SERIOUS** personal **INJURY** or **DEATH** from electrocution:

- Disconnect electric power **BEFORE** performing **ANY** adjustments or maintenance.



TESTING

Apply power to the operator.

When power is applied to the operator, the following LED's will illuminate: STOP, CLOSE, OPEN, LMEP, 24Vac, RADIO, DATA, TIMER ENABLE, OLS MID, SLS, CLS, and MAS. Once the power up process is completed (approximately 2-3 seconds) only the appropriate LED's will continue to be lit:

- Between limits: 24Vac and STOP
- Fully closed position: 24Vac, STOP, CLS and SLS
- Fully opened position: 24Vac, STOP and OLS

Additional LED's will light when device(s) are activated.

NOTE: When the power up process is over, the MAS LED will blink a code indicating the version of firmware. If the selector dial is in the DIAG, OPTN, or PROG position, the MAS will not provide this code. After the code has been provided the MAS LED will go out.

TEST PHOTOELECTRIC SENSORS (IF APPLICABLE)

1. Open the door.
2. Place an obstruction in the path of the photoelectric sensors. The LMEP LED will blink on the logic board.
3. Press and hold the CLOSE button. The door should not close.
4. Remove the obstruction.
5. Press and hold the CLOSE button. Door should close. If the LMEP is activated while closing the door should reverse.

TEST EDGE SENSORS (IF APPLICABLE)

1. Open door.
2. Place an obstruction in the path of the door.
3. Press and hold the CLOSE button. The door should stop and/or reverse.
4. Remove obstruction and hold the CLOSE button. Door should fully close.

NOTE: The Logic 5 control board will automatically learn the LMEP device once it is properly connected. If the LMEP device is misaligned, activated, or disconnected the LMEP LED on the logic control board will blink on and off. You can close the door by entering the Restricted Close (RC) mode by holding the close button. The operator will begin closing after 5 seconds and will continue to close to the Close Limit or when the close button is released.

To unlearn the LMEP device, turn the selector dial to DIAG, push and hold the stop button until the MAS LED flashes. Without the LMEP device connected the only mode of operation will be B2, D1 or E2.

WARNING

To avoid SERIOUS personal INJURY or DEATH:

- Disconnect electric power BEFORE performing ANY adjustments or maintenance.
- ALL maintenance MUST be performed by a trained door systems technician.

TEST 3-BUTTON CONTROL STATION

1. Press OPEN button. (The door should move in the open direction.)
2. Press STOP button. (The door should stop.)
3. Press and hold the CLOSE button. (The door should move in the close direction.)
4. Release CLOSE button. Door should stop if in C2 or D1 mode. Door will reverse to full open position in E2 mode. The door should continue closing in all other modes.
5. Press STOP button (The door should stop)

TEST LIMIT ADJUSTMENT

1. Press OPEN button. (The door should open.)
2. Allow the door to fully open.
3. Press and hold the CLOSE button. (The door should close.)
4. Allow the door to fully close.
5. If the limits are not set properly, remove power and adjust limits (refer to Limit Adjustment section).

IMPORTANT NOTES:

- Be sure you have read and understand all safety instructions included in this manual.
- Be sure the owner or person(s) responsible for operation of the door have read and understand the safety instructions, know how to electrically operate the door in a safe manner and how to manually disconnect the door from the operator.

MANUAL RELEASE

EMERGENCY DISCONNECT SYSTEM MODEL GT AND T

TO DISCONNECT DOOR FROM OPERATOR

The door should be in the fully closed position if possible.

- 1 Pull emergency release handle straight down. Emergency disconnect will open.

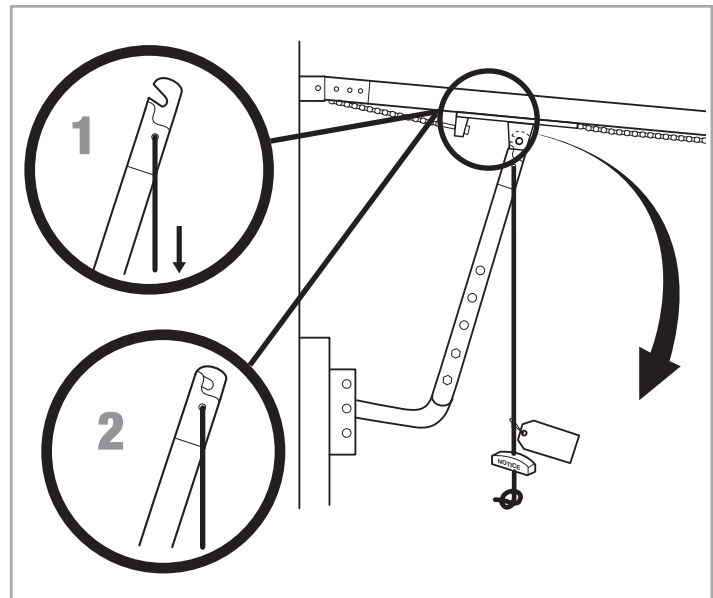
TO RECONNECT DOOR ARM TO TROLLEY

- 2 Lift free end of door arm to trolley. Pull emergency release handle to allow arm to engage roll pin. Release handle. Emergency disconnect will close.

⚠ WARNING

To prevent possible **SERIOUS INJURY** or **DEATH** from a falling door or arm:

- **DO NOT** stand under the door arm when pulling the emergency release.
- If possible, use emergency release handle to disengage trolley **ONLY** when door is **CLOSED**. Weak or broken springs or unbalanced door could result in an open door falling rapidly and/or unexpectedly.
- **NEVER** use emergency release handle unless doorway is clear of persons and obstructions.



EMERGENCY DISCONNECT SYSTEM MODEL APT

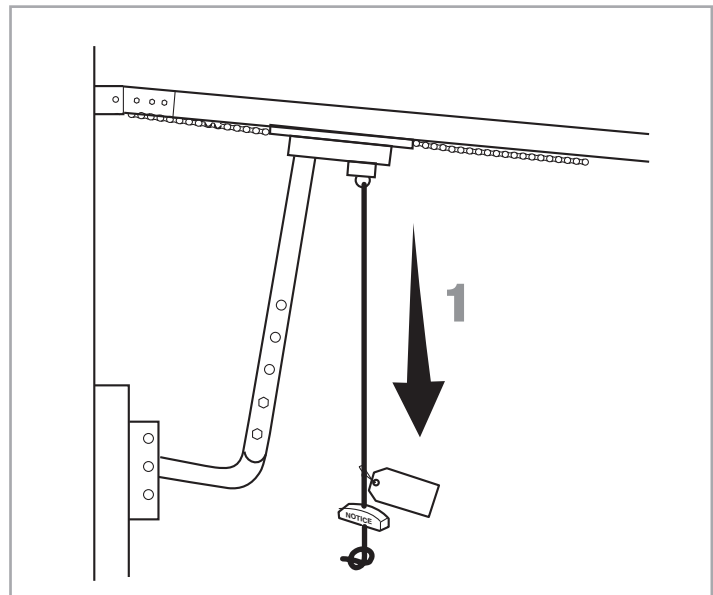
TO DISCONNECT DOOR FROM OPERATOR

The door should be in the fully closed position if possible.

- 1 Pull down on the emergency release handle and raise or lower the door manually.

TO RECONNECT DOOR ARM TO TROLLEY

- 2 The trolley will reconnect on the next UP or DOWN operation, either manually or by using the door control or remote.



EMERGENCY DISCONNECT SYSTEM MODEL H, GH, J, AND HJ

This operator has provisions for manually operating the door in case of emergency or power failure. Refer to the appropriate instructions below for your model operator.

MODEL H AND GH

These operators are equipped with a manual hoist. An electrical interlock will disable the electrical controls when the hoist is used. To operate the hoist:

- 1 Pull the disconnect chain (sash chain) to engage the hoist mechanism. The disconnect chain may be locked in position by slipping the end through the keyhole of the chain keeper mounted on the wall.
- 2 Operate the door in the desired direction by pulling on one side or the other of the continuous loop hoist chain.
- 3 The disconnect chain must be released from the chain keeper before the door will operate again electrically.

MODEL J

This operator has a floor level disconnect chain to disconnect the door from the door operator.

- 1 To disengage, pull the disconnect chain (sash chain) and secure in the disengaged position by slipping the end through the keyhole bracket mounted on the wall.
- 2 The door may now be pushed up or pulled down manually.
- 3 Release the disconnect chain to operate the door again electrically.

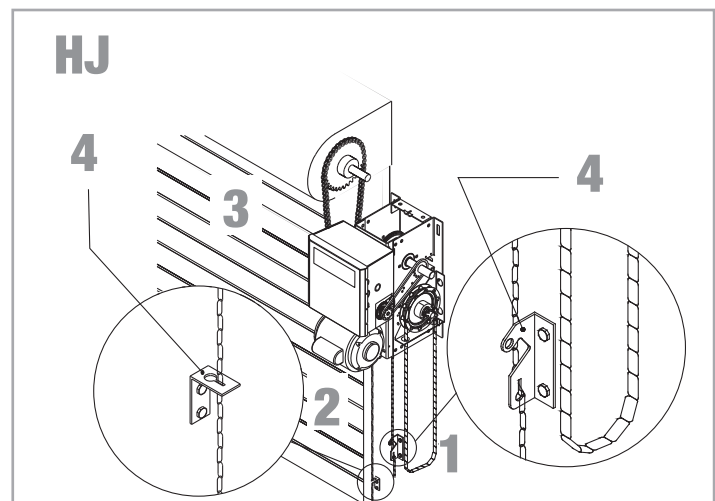
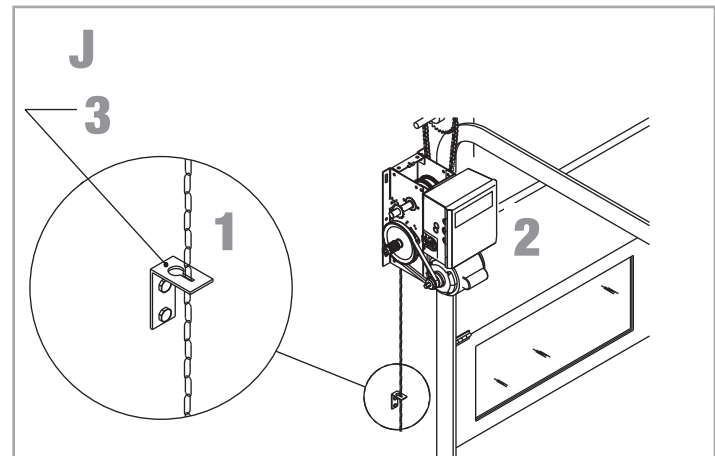
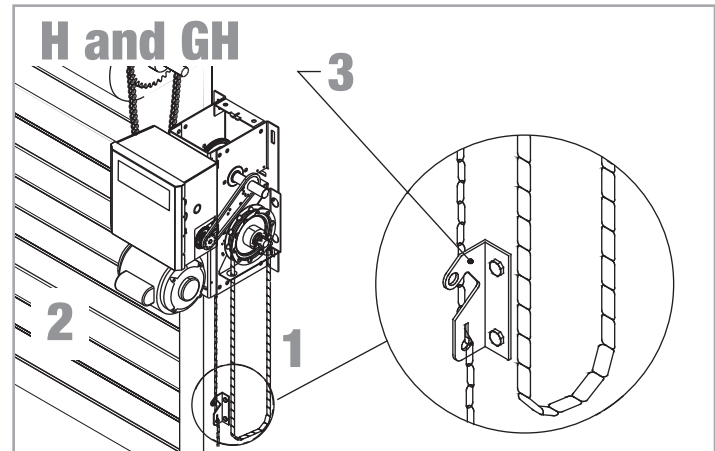
MODEL HJ

This operator includes both a floor level disconnect chain (sash chain) to disconnect the door from the door operator and a disconnect chain with manual hoist to electrically disable the operator controls.

- 1 Pull the disconnect chain to engage the hoist mechanism. The disconnect chain may be locked in position by slipping the end through the keyhole of the chain keeper mounted on the wall.
- 2 To disengage, pull the disconnect chain and secure in the disengaged position by slipping the end through the keyhole bracket mounted on the wall.
- 3 Operate the door in the desired direction by pulling on one side or the other of the continuous loop hoist chain.
- 4 Release the disconnect chain to operate the door again electrically.

CAUTION

- To prevent possible **SERIOUS INJURY** from a moving chain:
- **DISCONNECT** electric power to the operator **BEFORE** manually operating your door.
 - If possible, use emergency disconnect **ONLY** when door is **CLOSED**. Weak or broken springs or unbalanced door could result in an open door falling rapidly and/or unexpectedly.
 - **NEVER** use emergency disconnect unless doorway is clear of persons and obstructions.



PROGRAMMING

INTRODUCTION TO PROGRAMMING

Many programmable functions require that a LiftMaster Entrapment Protection (LMEP) device be installed in order to function. Refer to the *Entrapment Protection* section.

Before programming the logic board, set the operator's open and close limits. LEDs on the logic board are provided to assist setting the limits. As each limit is activated the corresponding LED will light up. The abbreviations are Open Limit Switch (OLS), Close Limit Switch (CLS) and Sensing Limit Switch (SLS). Refer to page 19 for limit switch adjustment instructions.

When power is applied to the operator, the following LED's will illuminate: STOP, CLOSE, OPEN, LMEP, 24Vac, RADIO, DATA, TIMER ENABLE, OLS MID, SLS, CLS, and MAS. Once the power up process is completed (approximately 2-3 seconds) only the appropriate LED's will continue to be lit (i.e., STOP, 24Vdc, limit LED(s) if limit(s) is activated).

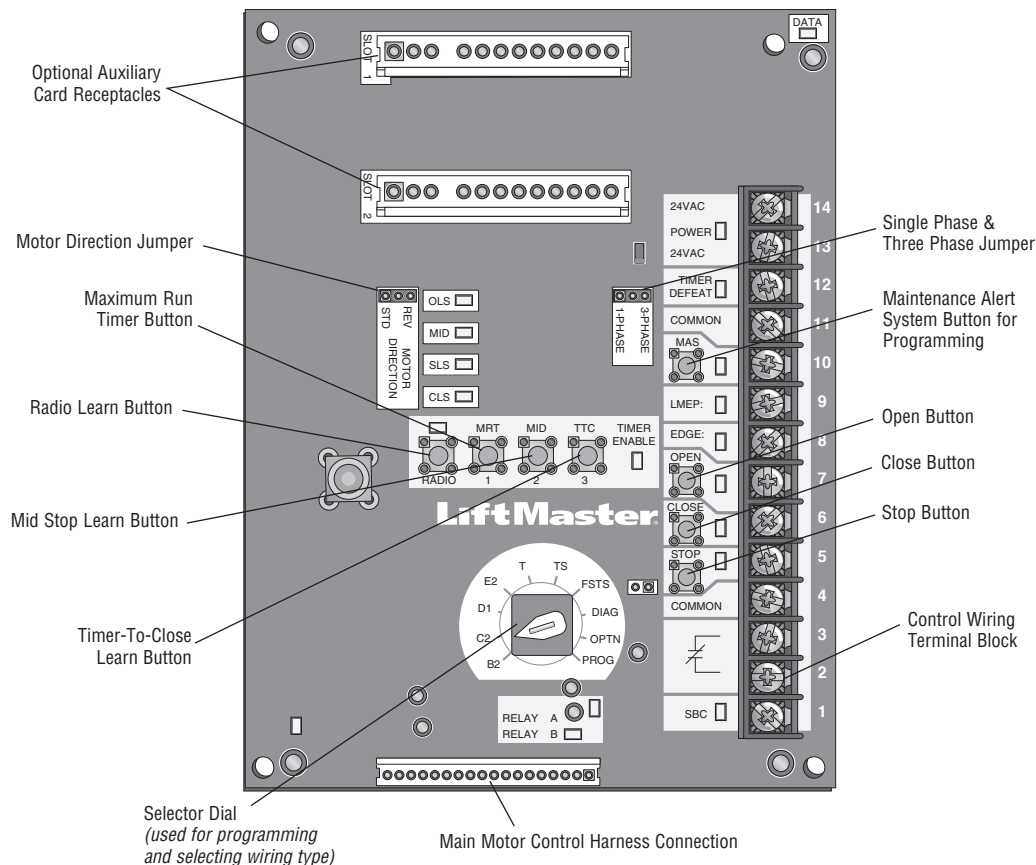
NOTE: When the power up process is over, the MAS LED will blink a code indicating the version of firmware. If the selector dial is in the DIAG, OPTN, or PROG position, the MAS will not provide this code. After the code has been provided the MAS LED will go out.

LOGIC BOARD PUSH BUTTONS (OPEN, CLOSE, STOP)

Open, Close and Stop buttons are mounted directly on the logic board. Thus, making it easy to program as well as have door control at the electrical box.

Either the stop control or a jumper MUST be wired between terminals 4 and 5 for the on board push buttons to function.

LOGIC BOARD OVERVIEW



PROGRAMMING

DETERMINE AND SET WIRING TYPE

Read the descriptions of the different wiring types to determine which setting will be correct for each application. Once the wiring type is determined, set the selector dial accordingly.

LIFTMASTER MONITORED ENTRAPMENT PROTECTION (LMEP) DEVICE IS REQUIRED

A LiftMaster Entrapment Protection (LMEP) device is **required** for the following wiring types.

- B2** Momentary contact to open, close and stop, plus wiring for sensing device to reverse and auxiliary devices to open and close with open override. Programmable mid stop available with this wiring type. **Compatible with 3-Button Station, 1-Button Station, 1 and 3-Button Remote Control.**

TS (TIMER SECURE)

This mode will attempt to close the door from any position except when fully closed, or when a safety input is present. The stop button will not disable the Timer-To-Close at any position. To disable the Timer-To-Close in this mode, installation of a defeat switch is required (see wiring diagram).

Momentary contact to open, close, and stop with open override and Timer-To-Close. Every device that causes door to open, including a reversing device, activates the Timer-To-Close. Auxiliary controls can be connected to open input to activate the Timer-To-Close. If the timer has been activated, the open button and radio control can recycle the timer. The Timer-To-Close will function from the programmable mid stop with this wiring type. **Compatible with 3-Button Station, 1-Button Station and 1 and 3-Button Remote Control.**

NOTE: A Programmable "Car Dealer Mode" available.

- T** Momentary contact to open, close, and stop, with open override and Timer-To-Close. Every device that causes the door to open, except any sensing edge input device, activates the Timer-To-Close. Auxiliary controls can be connected to open input to activate the Timer-To-Close. If the Timer-To-Close has been activated, the open button and radio control can recycle the timer. The stop button will deactivate the timer until the next command input. The Timer-To-Close will function from the programmable mid stop with this wiring type. **Compatible with 3-Button Station, 1-Button Station and 1 and 3-Button Remote Control.**

NOTE: Programmable "Car Dealer Mode" available.

- FSTS** Momentary button contact for open, close and stop programming. User set mid stop. User set Timer-To-Close. The single button station opens the door to the full open limit bypassing the mid stop and activates the Timer-To-Close, putting the operator in TS mode until the door reaches the down limit, or is stopped in travel. At which time the operator enters the B2 mode.

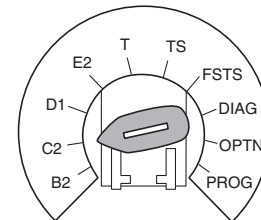
Compatible with 3-Button Station, 1-Button Station, 1 and 3-Button Remote Control. A 1-Button remote control in FSTS mode will open only with the Timer-To-Close, bypassing a programmed mid stop. The Timer-To-Close will reset and reverse when closing.

LIFTMASTER MONITORED ENTRAPMENT PROTECTION (LMEP) DEVICE IS RECOMMENDED

A LiftMaster Entrapment Protection (LMEP) device is recommended for the following wiring types.

- C2** Momentary contact to open and stop with constant pressure to close, open override plus wiring for sensing device to reverse. Programmable mid stop available with this wiring type. **Compatible with 3-Button Station and 1-Button Station.**
- E2** Momentary contact to open with override and constant pressure to close. Release of close button will cause door to reverse (roll-back feature) plus wiring for sensing device to reverse. **Compatible with 3-Button Station.**
- D1** Constant pressure to open and close with wiring for sensing device to stop. **Compatible with 2 or 3-Button Station.**

SELECTOR DIAL



IMPORTANT NOTES:

- External interlocks may be used with all functional modes.
- Auxiliary devices are any devices that have only dry contacts. Examples: loop detector, pneumatic or electrical treadles, radio controls, one button stations, pull cords, etc.
- Open override means that the door may be reversed while closing by activating an opening device without the need to use the stop button first.
- When the door is in a stopped position other than fully closed, and an LMEP or EDGE input is activated, the Restricted Close (RC) feature will allow a close command when the close button is pressed and held. The operator will begin closing after 5 seconds. If the close button is released the door will stop. When in E2 mode, the door will move to the fully open position.

PROGRAMMING REMOTE CONTROLS

⚠ WARNING

To prevent possible SEVERE INJURY or DEATH:

- Install a LiftMaster Monitored Entrapment Protection (LMEP) device.
- NEVER permit children to operate or play with door control push buttons or remote controls.

- Activate door ONLY when it can be seen clearly, is properly adjusted and there are no obstructions to door travel.
- ALWAYS keep door in sight until completely closed. NEVER permit anyone to cross the path of closing door.

Built in 3-channel, Security+ 2.0™ radio receiver that allows you to add up to 90 remote control devices and up to 30 keyless entry devices.

NOTE: The following programming requires a LiftMaster Monitored Entrapment Protection (LMEP) device.

STANDARD REMOTE CONTROL

1. To enter programming press and release the RADIO button on the logic board (RADIO LED will light).
2. Press and hold the remote control button until the RADIO LED flashes rapidly, then release remote control button. The RADIO LED will then remain on solid after releasing the button. Repeat to add additional remote control(s).
3. Press and release the RADIO button to complete the programming. The RADIO programming mode will exit if no activity is performed within 30 seconds. The MAS and RADIO LED's will flash briefly to indicate the RADIO has exited the programming mode for remote controls and keyless entry devices. The RADIO will remain in program mode for another 150 seconds for MyQ® devices and then will completely exit with no activity.

SINGLE BUTTON REMOTE CONTROL PROGRAMMED AS A SINGLE BUTTON CONTROL (SBC)

This function programs a remote control as a wireless single button control. This function will work in the following modes:

In B2 mode, operation is OPEN/STOP/CLOSE/REVERSE/STOP.

In T and TS modes, operation is OPEN/STOP/CLOSE/REVERSE/STOP and Timer-To-Close start/refresh. **NOTE:** If Car Dealer mode is enabled, SBC will be open only stopping at the Open Mid-Stop.

In FSTS mode, operation is OPEN with Timer-To-Close start/refresh only, bypassing a programmed Open Mid Stop.

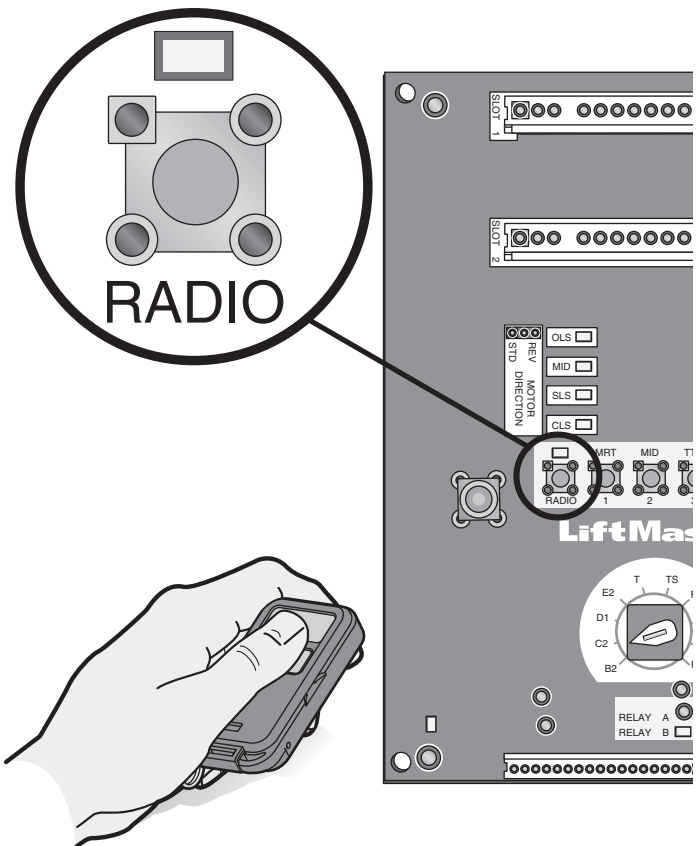
1. Press and release the RADIO button on the logic board (RADIO LED will light).
2. Press and release the SBC externally wired button or TTC on the logic board (RADIO LED flashes rapidly and then remains on solid).
3. Press and hold the remote control button until the RADIO LED flashes rapidly. The RADIO LED will then remain on solid after releasing.
4. Press and release the RADIO button on the logic board (RADIO LED flashes rapidly and then turns off). The programming mode is exited if no activity is performed within 30 seconds. The MAS and RADIO LED's will flash briefly to indicate the RADIO has exited the programming mode for remote controls and keyless entry devices. The RADIO will remain in program mode for another 150 seconds for MyQ® devices and then will completely exit with no activity.

NOTE: Single button remote control is not supported with D1 and E2 wiring modes. C2 mode will only open and stop while opening.

ERASING REMOTE CONTROLS

Press and hold the RADIO button on the logic board until the RADIO LED flashes rapidly (approximately 5 seconds). All remote controls will be erased.

NOTICE: To comply with FCC and/or Industry Canada (IC) rules, adjustment or modifications of this transceiver are prohibited. THERE ARE NO USER SERVICEABLE PARTS. Any changes or modifications not expressly approved by the party responsible for compliance could void the user's authority to operate the equipment. This device complies with Part 15 of the FCC rules and IC RSS-210. Operation is subject to the following two conditions: (1) this device may not cause harmful interference, and (2) this device must accept any interference received, including interference that may cause undesired operation. This Class B digital apparatus complies with Canadian ICES-003. This device must be installed in a way where a minimum 8" (20 cm) distance is maintained between users/bystanders and device.



PROGRAMMING REMOTE CONTROLS

NOTE: The following programming requires a LiftMaster Monitored Entrapment Protection (LMEP) device.

Your Security+ 2.0™ or dip switch remote control can be programmed to operate as a 3-button wireless control station: the large button will open the door, the middle button will close the door, and the third button will stop the door's movement.

You may set up this feature as follows:

1. To enter programming press and release the RADIO button on the logic board (the RADIO LED will light).
2. To program the OPEN button to a remote control press and release the OPEN button on the logic board. The RADIO LED will flash and then stay on solid. Then press the corresponding button on the remote control. The RADIO LED on the logic board will flash, this confirms that the remote control has been programmed. (By programming the remote you use 1 channel of the 90 channels on the radio receiver.)
3. To program the CLOSE button to a remote control press and release the CLOSE button on the logic board. The RADIO LED will flash and then stay on solid. Then press the corresponding button on the remote control. The RADIO LED on the logic board will flash, this confirms that the remote control has been programmed. (By programming the remote you use 1 channel of the 90 channels on the radio receiver.)
4. To program the STOP button to a remote control press and release the STOP button on the logic board. The RADIO LED will flash and then stay on solid. Then press the corresponding button on the remote control. The RADIO LED on the logic board will flash, this confirms that the remote control has been programmed. (By programming the remote you use 1 channel of the 90 channels on the radio receiver.)
5. After learning remote controls press the RADIO button on the logic board (RADIO LED will turn off). **NOTE:** If no activity within 30 seconds, the MAS and RADIO LED's will flash briefly to indicate the RADIO has exited the programming mode for remote controls and keyless entry devices. The RADIO will remain in program mode for another 150 seconds for MyQ® devices and then will completely exit with no activity.

REMOTE CONTROL PROGRAMMING FEATURE

Program Remote Controls from the 3-button control station (3BCS).

This feature allows the user to add additional remote controls from the 3BCS. By default the remote control learn option is off.

NOTE: Requires access to the operator electrical box to enable or disable this feature.

To turn this feature on:

1. Turn the SELECTOR DIAL to PROG.
2. Press and release the RADIO button. The RADIO LED will be lit.
3. Press and release the MID button. The RADIO LED will flash quickly 6 times.
4. Press and release the RADIO button. The RADIO LED will turn off.
5. Return the SELECTOR DIAL to the desired wiring type.

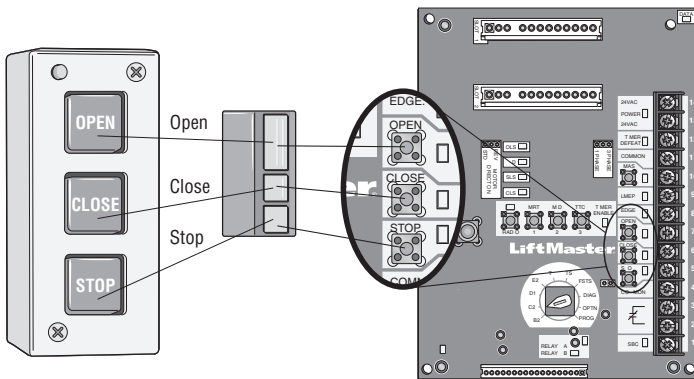
To add remote controls from the 3BCS:

1. With the door in the fully closed position (close limit activated), press and hold STOP.
2. While holding STOP, press and hold CLOSE.
3. While holding STOP and CLOSE, press and hold OPEN.
4. Release all three buttons once the MAS LED has lit.
5. Learn a remote control by one of the following methods:
 - a. Programming a **standard single button/single function remote control**, push and hold the remote control button until the MAS LED goes out. Repeat steps 1 through 4 to add additional remote controls.
 - b. Programming a **3-button/three function remote control** (OPEN/CLOSE/STOP), first push the button on the 3BCS (Example: OPEN) and then press and hold the button on the remote control (Example: large button) that you want to correspond with the selected (Example: OPEN) command until the MAS LED flashes and goes out. Repeat steps 1 through 4 to add additional buttons (CLOSE AND STOP).

To turn this feature off:

1. Turn the SELECTOR DIAL to PROG.
2. Press and release the RADIO button. The RADIO LED will be lit.
3. Press and release the MRT button. The RADIO LED will flash quickly 3 times.
4. Press and release RADIO button. The RADIO LED will turn off.
5. Return SELECTOR DIAL to desired wiring type.

NOTE: Restoring the operator to Factory Default (see **RESETTING FACTORY DEFAULTS**) will also disable this feature. The remote controls will still be learned.



PROGRAMMING MyQ® DEVICES (OPTIONAL)

To Program MyQ Devices:

1. To enter programming mode, press and release the RADIO button on the logic board (the RADIO LED will light).
2. To program the MyQ device, place the MyQ device into learn mode (see instructions for the specific MyQ device).
3. When the programming is complete the RADIO LED will turn off.

NOTE: If the programming is not completed within 3 minutes, the program mode will be exited and the RADIO LED will turn off.

To Erase All MyQ Devices:

1. Press and release the RADIO button on the logic board (the RADIO LED will light).

2. Press and hold the MAS button for 5 seconds. The RADIO LED will flash for approximately 5 seconds and the RADIO LED will turn off.

All MyQ devices are now erased.

To Erase One MyQ Device:

1. See instructions for the specific MyQ device to erase the programming.
2. When the erase is complete, the MyQ device will be erased on the operator. The operator does not need to be reprogrammed to erase the MyQ device.

NOTE: Power the operator to complete the erase operation.

MAINTENANCE ALERT SYSTEM (MAS)

Feature: An internal cycle counter will activate a flashing LED on the 3-button control station when the preset number of cycles or months has elapsed (whichever occurs first). Setting this feature is optional.

By default this feature will never activate. Logic 5 operators incorporate a self diagnostic feature built into the MAS LED. In addition to indicating when routine maintenance is due, the MAS LED can be used to troubleshoot some problems with the operator.

Benefit: The Maintenance Alert System (MAS) assists the installing dealer in setting up a routine maintenance program. Once programmed, the MAS notifies the end user (with a flashing LED on the 3-button station) when a preset number of cycles/months has elapsed and scheduled maintenance is due.

To Program:

1. Close the door.
2. Turn the selector dial to PROGRAM.
3. Press and release the MAS SET button.
4. Press the STOP button once to clear the MAS memory.
5. Press the OPEN button once for every 5,000 cycles increments. Press the CLOSE button once for every 3 month increments.
6. Press and release the MAS button to complete the programming. The on board LED will flash back the programmed settings. The OPEN LED will flash once for every 5,000 cycles. The CLOSE LED will flash once for every 3 months.
7. Turn the selector dial back to the desired wiring type.

NOTE: If MAS LED flashes 2 or more flashes in a row followed by a pause, an operator error occurred. Turn to page 35 to diagnose problem.

Example: A door is installed with 30,000 cycle springs and has an annual service contract. To set the MAS, turn selector dial to PROGRAM, press MAS button, press the STOP button to clear the memory and then press the OPEN button 6 times (30,000 cycles) and CLOSE 4 times (12 months). Press the MAS again to complete the programming. Turn the selector dial back to desired wiring type.

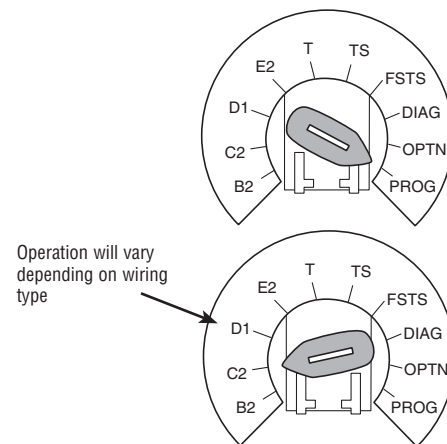
Special Notes about MAS: A 5th wire must be run to the control station to activate the MAS LED. The MAS LED on the logic board is always enabled. When the operator is serviced after the MAS LED has started to flash, repeat the setup procedure to program in the number or cycles desired until the next service visit OR press and hold the MAS button for 5 seconds in the PROGRAM mode to reset the MAS with its current programmed value. To disable the MAS, follow the programming procedure above and press the STOP button to reset the counter to zero. Every time the operator leaves the close limit is counted as one cycle.

To view how many cycles are programmed into the MAS, set the selector dial to DIAGNOSTIC and press the MAS button. The OPEN button LED will flash once for every 5,000 cycle increment

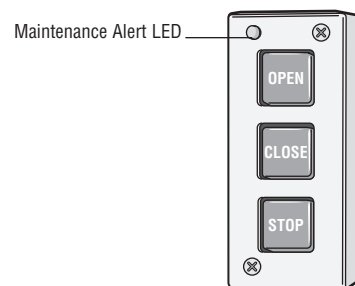
programmed and the CLOSE button LED will flash once for every 3 month increment programmed.

To view how many cycles have elapsed since the last time the MAS was programmed, set the selector dial to DIAGNOSTIC and press the MAS button. Press the OPEN button; the OPEN LED will flash once for every 5,000 cycles that has elapsed. Press the CLOSE button; the CLOSE LED will flash once for every (3) months that has elapsed. Press the MAS button to exit. Turn the selector dial back to desired wiring type.

SELECTOR DIAL



3-BUTTON CONTROL STATION



Press This	To Get This
OPEN	Adds 5,000 cycles to Maintenance Alert System Activation Counter.
CLOSE	Adds 3 Months to Maintenance Alert System Activation Timer.
STOP	Clears memory, sets Maintenance Alert System Activation Counter to 0 cycles and 0 months.

OPEN MID STOP

Feature: The Mid Stop feature is to open the door to a preset point prior to the fully open position.

Benefit: The door opens to a midpoint between open and close reducing heating and cooling costs. The door will not cycle fully, providing longer door and operator life.

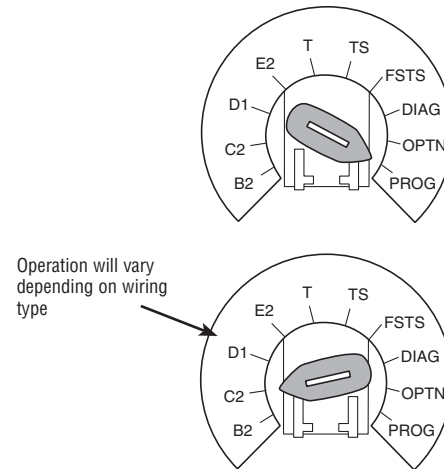
To Program:

1. Close the door.
2. Turn selector dial to PROGRAM.
3. Press and release the MID button on logic board.
4. Press the OPEN button, wait until the door reaches the desired mid stop height, then press and release the STOP button.
5. Press and release the MID button to complete programming.
6. Turn selector dial back to desired wiring type.

NOTE: A momentary open command will open the door fully from the Mid Stop position. Once at the Mid Stop, photoelectric sensors and other entrapment protection devices will not open the door beyond the mid stop position, except in E2 mode. The Timer-To-Close will work from the Mid Stop.

To clear the Mid Stop set the selector dial to PROG and press and hold the MID button for 5 seconds. The MID LED will flash rapidly and turn off once the Mid Stop has been cleared. Turn selector dial back to desired wiring type.

SELECTOR DIAL



⚠ WARNING

To prevent possible SEVERE INJURY or DEATH:

- Install a LiftMaster Monitored Entrapment Protection (LMEP) device.
- NEVER permit children to operate or play with door control push buttons or remote controls.
- Activate door ONLY when it can be seen clearly, is properly adjusted and there are no obstructions to door travel.
- ALWAYS keep door in sight until completely closed. NEVER permit anyone to cross path of closing door.

TIMER-TO-CLOSE

Feature: Timer automatically closes door after preset time. All entrapment protection devices must be unobstructed.

Benefit: The door will automatically close after preset amount of time. Great for apartment buildings, fire stations and other applications where the end user wants the door to close automatically after a specified amount of time.

Requirements: Must have at least one LiftMaster Monitored Entrapment Protection (LMEP) device installed (refer to page 20). Wiring type must be set to TS, T or FSTS.

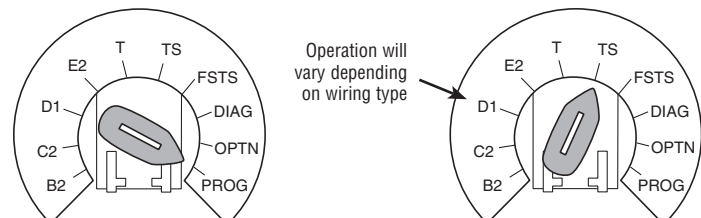
TO PROGRAM MANUALLY (METHOD 1):

1. Close the door.
2. Turn the selector dial to PROGRAM.
3. Press and release the TIMER button on the logic board.
4. Press and release the STOP button to clear the timer.
5. Press and release the OPEN button for every second the operator should wait before attempting to close the door. Press and release the CLOSE button for every 15 seconds the operator should wait before closing the door.

6. Press and release the TIMER button to complete programming. The OPEN/CLOSE button LEDs will flash to confirm the timer setting. The OPEN LED will flash once for every second programmed and the CLOSE LED will flash once for every 15 seconds programmed.
7. Turn the selector dial to desired timer wiring type (TS, T or FSTS).

Example: To close the door after 70 seconds. Turn selector dial to PROGRAM, press and release the TIMER button, press and release the STOP button to clear the timer, press and release the CLOSE button four times for 60 seconds and press and release the OPEN button 10 times for 10 seconds. Press the TIMER button to finish programming the timer. Turn selector dial to desired timer wiring type. (TS, T, FSTS).

SELECTOR DIAL



TIMER-TO-CLOSE

PROGRAM TIMER-TO-CLOSE BY EXAMPLE (METHOD 2):

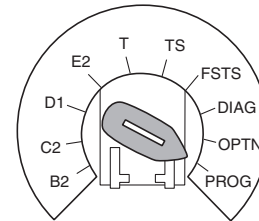
TO PROGRAM:

1. Close the door.
2. Turn the selector dial to PROGRAM.
3. Press and hold TIMER button for 5 seconds until OPEN and OLS flashes then release.
4. Press and release the OPEN button and wait for the door to reach full open or mid stop position.
5. Wait for desired amount of time to pass. (An internal stop watch starts counting when the door stops moving.)
6. Press and release the TIMER button, CLOSE button or STOP button to stop the timer. (TIMER SET LED will turn on.)
7. Turn the selector dial to the desired wiring type (T, TS, FSTS).

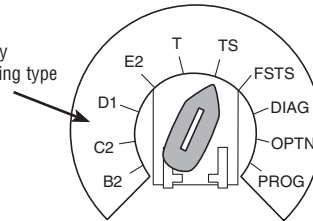
NOTE: To read back the Timer-To-Close setting, turn the selector dial to DIAGNOSTIC and press the TIMER button. The OPEN LED will flash once for every second programmed and the CLOSE LED will flash once for every 15 seconds programmed.

In T Mode, timer can be deactivated from the open position by pressing the STOP button. The timer will be reactivated on the next operation command. The STOP button WILL NOT deactivate the timer in the TS mode. To deactivate the timer for more than one cycle in T mode or in TS mode, attach a defeat switch to 11 and 12 (COMMON and TIMER DEFEAT).

SELECTOR DIAL



Operation will vary depending on wiring type



CAR DEALER MODE

Feature: The car dealer mode uses the SBC (Single Button Control input) to bring the door from a closed position to the programmed Open Mid-Stop position and keep it at that location even with multiple inputs.

Benefit: Provides energy cost savings by limiting the door opening height.

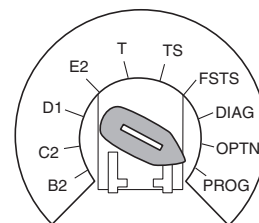
Requirements: This feature works in conjunction with the programmable Timer-To-Close feature. To enable this feature you must first connect a treadle, photoelectric sensor or loop detector accessory to the SBC input and must have at least one LiftMaster Monitored Entrapment Protection (LMEP) device installed (refer to page 20). Wiring type must be set to TS or T.

TO PROGRAM:

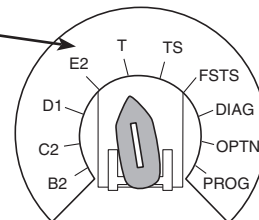
1. Start with the door in the closed position.
2. Turn the SELECTOR DIAL to PROG.
3. Push the TIMER button and release (Green Timer LED will be lit).
4. Push the MID button and release. This turns on the Car Dealer Mode. (The GREEN TIMER LED will flash 6 times indicating the Car Dealer Mode is turned on.)
5. Push the TIMER button and release.
6. Turn the SELECTOR DIAL to the desired wiring type (TS or T).

NOTE: To disable the Dealer Mode follow steps 2 and 3, then press the MRT button and release. (The GREEN TIMER LED will flash 3 times indicating that the Car Dealer Mode is off.)

SELECTOR DIAL



Operation will vary depending on wiring type



MAXIMUM RUN TIMER (MRT)

Feature: The operator can learn the time it takes to open or close the door plus and an additional 10 seconds.

Benefit: If the operator does not meet its open or close limit within the set time it will stop, limiting damage to the door and operator.

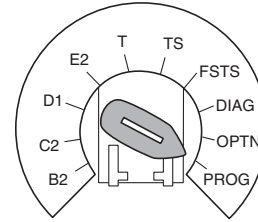
To Program:

NOTE: The default setting for the MRT is 90 seconds. In the event the application requires the MRT be manually learned for a longer duration follow steps below.

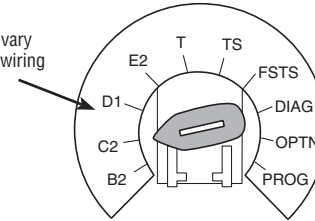
1. Start with the door in the closed position.
2. Set the selector dial to PROGRAM.
3. Press and release the MRT button on logic board.
4. Press the OPEN button and wait for the door to reach the full open limit.
5. Once the door has reached the open position, programming is complete.
6. Turn dial to desired wiring type.

NOTE: To reset MRT only, turn selector dial to program and press and hold the MRT button until the MAS led flashes rapidly.

SELECTOR DIAL



Operation will vary depending on wiring type



RESETTING FACTORY DEFAULTS - CLEARING MEMORY

To reset most of the user installed settings back to factory defaults:

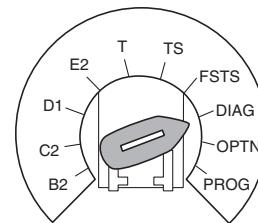
1. Turn the selector dial to DIAGNOSTIC.
2. Press and hold the STOP button for 5 seconds. The MAS LED will flash momentarily when the factory defaults have been restored.
3. Return the selector dial to the desired wiring type.

Factory Defaults:

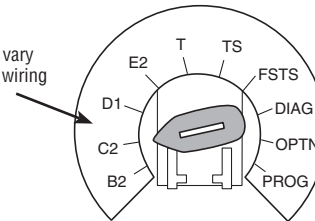
- a. Timer-To-Close = 0 seconds.
- b. The Mid Stop is deactivated.
- c. The Maintenance Alert System is deactivated.
- d. The Maximum Run Timer is set to 90 seconds.
- e. Car Dealer Mode is deactivated.
- f. The remote controls and MyQ® devices will still be learned.
- g. Remote control programming via the 3-button station.
- h. The LiftMaster Monitored Entrapment Protection (LMEP) device will be unprogrammed.

NOTE: Life of Operator feature (Odometer/Cycle Counter) and programmed remote controls and MyQ devices are not cleared.

SELECTOR DIAL




Operation will vary depending on wiring type



MAINTENANCE

MAINTENANCE SCHEDULE

For use with Maintenance Alert System.
Check at the intervals listed in the following chart:

 WARNING
<p>To avoid SERIOUS personal INJURY or DEATH:</p> <ul style="list-style-type: none"> • Disconnect electric power BEFORE performing ANY adjustments or maintenance. • ALL maintenance MUST be performed by a trained door systems technician.

ITEM	PROCEDURE	EVERY MONTH	EVERY 3 MONTHS OR 5,000 CYCLES	EVERY 6 MONTHS OR 10,000 CYCLES	EVERY 12 MONTHS OR 20,000 CYCLES
Drive Chain	Check for excessive slack. Check and adjust as required. Lubricate.		●●		
Sprockets	Check set screw tightness.		●		◆
Clutch	Check and adjust as required.			●	◆
Belt	Check condition and tension.			●	◆
Fasteners	Check and tighten as required.			●	◆
Manual Disconnect	Check and operate.			●	◆
Bearings and Shafts	Check for wear and lubricate.		●●		
LiftMaster Monitored Entrapment Protection (LMEP)	Check alignment and functionality.	●			

◆ **Use SAE 30 Oil (Never use grease or silicone spray).**

- Do not lubricate motor. Motor bearings are rated for continuous operation.
- Do not lubricate clutch or V-belt.

◆ **Repeat ALL procedures.**

- Inspect and service whenever a malfunction is observed or suspected.

HOW TO ORDER REPAIR PARTS

OUR LARGE SERVICE ORGANIZATION SPANS AMERICA

Installation and service information are available.

Call our TOLL FREE number:

1-800-528-2806

www.liftmaster.com

LIFE OF OPERATOR FEATURE (ODOMETER/CYCLE COUNTER)

The operator is equipped with an odometer to show how many months and cycles the operator has performed from the time it is installed. This feature can help determine how long the operator has been in service.

1. Start with the door in the closed position.
2. Turn the SELECTOR DIAL to DIAG (diagnostic mode).
3. Press and release the MAS button on the logic board.
4. Press and release the MRT button on the logic board.
5. The open and close lights will flash. OPEN for every 5,000 cycles and CLOSE for every 3 months.
6. Return the SELECTOR DIAL to the desired wiring type.

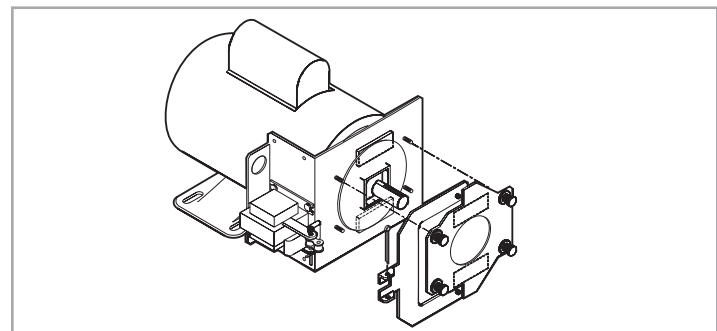
NOTE: If the operator has not reached 5,000 cycles or 3 months, there will be no indications.

BRAKE (IF PRESENT)

A solenoid brake is available as an option for some models. The brake is adjusted at the factory and should not need additional adjustment for the life of the brake assembly.

Inspect the brake pad and replace brake assembly when necessary.

NOTE: Your operator may look different than the operator shown.



MAINTENANCE

TROUBLESHOOTING

DIAGNOSTIC CHART

The logic board has several LEDs to assist in the installation and troubleshooting of the operator. The following chart should assist in verifying the operator is functioning properly. Turn the selector dial to DIAGNOSTIC to keep the door from moving while troubleshooting.

LED	COLOR	DEFINITION
Power	Green	Indicates that power is being generated for the logic board.
Stop	Green	Indicates a closed circuit between common and terminal 5. Pressing stop should turn off this LED.
Open	Yellow	Indicates a closed circuit between common and terminal 7. Pressing the open button should turn ON this LED.
Close	Yellow	Indicates a closed circuit between common and terminal 6. Pressing the close button should turn ON this LED.
LMEP	Green	Solid on indicates LMEP learned. Flashing indicates sensors need to be re-connected or activated, or unlearned if removed**. Solid off indicates no sensors learned.
Timer Defeat	Yellow	Solid on indicates a closed circuit between common and terminal 12. Timer-To-Close will not close.
OLS	Yellow	Pressing the Open Limit Switch should turn ON this LED. Indicates the Open Limit Switch is activated.
CLS	Yellow	Pressing the Close Limit Switch should turn ON this LED. Indicates the Close Limit Switch is activated.
SLS	Yellow	Pressing the Sensing Limit Switch should turn ON this LED. Indicates the Sensing Limit Switch is activated.
Edge	Yellow	Indicates a closed circuit between common and terminal 8. Pressing the edge should turn ON this LED.
Mid Stop	Yellow	Solid on indicates door is stopped on up or down mid stop. Flashing indicates MID STOP is being set.
Timer Enabled	Green	Solid on indicates TIMER is programmed and will activate from open or mid stop position. Flashing indicates Timer is counting down and door will close after preset time. Each flash represents 1 second of programmed time.
SBC	Yellow	Indicates a closed circuit between common and terminal 1. Pressing the single button control station should turn ON this LED.
MAS	Yellow	Indicates the Maintenance Alert System has been activated or an error code has been triggered.
Relay A	Yellow	Indicates open or close command has been given to the motor. LED turns on when OPEN/CLOSE button is pressed.
Relay B	Yellow	Indicates open or close command has been given to the motor. LED turns on when OPEN/CLOSE button is pressed.
DATA	Green	Indicates communication between the Logic 5 board and optional TLS1CARD.

** RESTRICTED CLOSE. This method will allow you to close the door when LMEP device(s) are no longer working. Press and hold the CLOSE button until the door reaches the closed limit. If the CLOSE button is released before the door reaches the closed limit the operator will stop and the procedure will need to be repeated to fully close the door.

TROUBLESHOOTING GUIDE

FAULT	POSSIBLE CAUSE	FIX
THE OPERATOR WILL NOT RESPOND TO ANY COMMANDS	a) No power supply b) Operator control station is wired wrong c) Interlock switch is activated d) Dial still in programming, option, or diagnostic mode e) Motor is malfunctioning f) Motor thermal overload tripped g) Possible accessory malfunction h) Power Board may need to be replaced i) Possible logic board failure	<ul style="list-style-type: none"> ➤ Verify primary line voltage from power source. Green POWER LED must be on. ➤ Use the OPEN, CLOSE and STOP LEDs to help check correct wiring. Verify that the board is accepting commands by using the onboard station. Green LED next to stop button must be on. ➤ Check Interlock(s). If more than one external interlock is present they must be wired in series. Green LED next to stop button must be on. ➤ Set dial to desired wiring type. ➤ Verify proper voltage getting to the motor (Check motor name plate). ➤ Check to see if motor is hot. Allow motor to cool before attempting to move door. Cycle operator in constant pressure one full cycle open and close to reset fault. ➤ Disconnect all devices, reattach them one at a time testing for a failure after each one is replaced. ➤ When the OPEN or CLOSE button is pressed, Relay A or B LED should turn on and the door should move in the corresponding direction. If Relay A or B lights and the door does not move, the Power Board may need to be replaced. ➤ Replace logic board.
POWER LED IS NOT ON	a) Loose secondary wiring connections or a faulty control transformer b) Hoist interlock switch	<ul style="list-style-type: none"> ➤ Repair or replace connections or control transformer. ➤ Check interlock. Verify the manual release chain is not engaged.
STOP BUTTON LED IS NOT ON	a) Control station not connected or wired correctly b) Interlock switch	<ul style="list-style-type: none"> ➤ Check wiring to control station. ➤ Check interlock switch(es) for continuity.
THE DOOR WILL MOVE ABOUT A FOOT THEN STOP. AFTER STOPPING, ONLY CONSTANT PRESSURE COMMANDS WILL MOVE THE DOOR	a) RPM sensor is not connected properly or may need to be replaced b) Clutch slipping	<ul style="list-style-type: none"> ➤ Check the RPM assembly for loose connections. Check that RPM wheel is turning when operator is running. Check for foreign matter blocking optical lens. ➤ Replace RPM sensor. ➤ Adjust clutch and verify that door is not binding.
THE DOOR WILL MOVE MOST OF THE WAY TOWARDS A LIMIT THEN STOP. AN EXTRA OPEN OR CLOSE COMMAND IS ABLE TO GET DOOR TO COMPLETE CYCLE	The Maximum Run Timer is not set correctly	<ul style="list-style-type: none"> ➤ Manually reprogram the Maximum Run Timer (page 34). OR reset the factory defaults (page 34).
THE DOOR WILL OPEN SOME BUT NOT COMPLETELY. AN EXTRA OPEN IS ABLE TO GET THE DOOR TO OPEN COMPLETELY	There may be a Mid Stop set	<ul style="list-style-type: none"> ➤ Check to see if the Mid Stop LED is on. Clear the Mid Stop by turning the selector dial to program. Press and hold the MID STOP button for 5 seconds. Return dial to desired wiring type. To reset Open Mid Stop refer to page 32.
THE DOOR WILL OPEN BUT WILL ONLY CLOSE AFTER A FIVE SECOND DELAY WITH CONSTANT PRESSURE ON THE CLOSE BUTTON (RESTRICTED CLOSE MODE)	a) The LMEP attached is obstructed or activated b) The logic board thinks that the direct connect photoelectric sensors are attached and blocked	<ul style="list-style-type: none"> ➤ If the on board LMEP LED is flashing, the photoelectric sensor are misaligned or not connected. Remove any obstructions, check the entrapment protection device wires for continuity and shorts. If more than one LMEP is installed with the use of a CPS3CARD the LMEP will not flash when one of the LMEP's is blocked. ➤ Unlearn the photoelectric sensors from the memory by resetting factory defaults.

TROUBLESHOOTING ERROR CODES

Logic 5.0 operators incorporate a self diagnostic feature built into the MAS LED. In addition to indicating when routine maintenance is due, the MAS LED can be used to troubleshoot some problems with the operator.

If the MAS LED is flashing on and off rapidly, the Maintenance Alert System has been triggered and the schedule operator service is due. If the MAS LED flashes 2 or more pulses in a row followed

by a pause, an operator error has occurred. To view how many errors currently exist, turn the selector dial to DIAGNOSTIC and press the OPEN button. To read out each individual error code (if more than one exists) press CLOSE. It is possible to have more than one error at a time.

The chart below can assist with identifying the flashes on the MAS LED.

ERROR CODE	DISPLAY	DESCRIPTION	EFFECT	CORRECTION
E1	1 blink	MAS triggered (cycles or months)	None normal operation	Reset MAS (page 31).
E2	2 blinks	No RPM input during opening	The door only responds to constant pressure commands	Clutch is slipping, adjust clutch, or verify RPM sensor connection or replace RPM sensor. NOTE: To relearn the RPM sensor, move the door with a constant pressure command. The door will stop once relearned and normal operation will resume.
E3	3 blinks	(MRT) Maximum Run Time timed out	The door stops before reaching set open or close limit(s)	First check Operator for any faults (i.e., Bad Limit switch), manually learn Max Run Timer (page 34) OR reset factory defaults (page 34).
E4	4 blinks	Obstruction sensed or lost RPM sensor input on closing	Operator will reverse to OPEN position	Remove obstructions, check sensing devices, possible clutch slippage.
E5	5 blinks	Stuck button pressed for greater than 2 minutes	Stuck button on 3-button station will not respond	Stuck button must be unstuck before it will be recognized as an input.
E6	6 blinks	Invalid option card plugged into option card receptacles	Option card will not function properly	Refer to accessories page for list of supported option card(s).
E7	7 blinks	LiftMaster Monitored Entrapment Protection (LMEP) device faulted or removed for greater than 2 minutes	Normal operation (5 second constant pressure override required to close)	Cleared when entrapment protection device is cleared or connected.
E8	8 blinks	Brownout Detected	Operator will run as long as enough power is present	1. Check AC line for voltage. 2. Check transformer secondary for low voltage. Too many accessories may be connected to the transformer.
E9	Flash on start of movement	Motor movement at invalid time	Operator will continue to function normally for 5 operations and then default to a constant pressure mode	Check relays and the drive circuitry to ensure that they are turning off. Operator must know that they are turning off. Operator must run correctly for two starts for the error to be cleared.
E10	10 blinks	Motor Phase Jumper changed while unit is not in programming mode	The phase will not change	Enter programming mode and move phase jumper to change phase.

NOTE: Error codes take priority over normal MAS LED operation. Error codes will repeat on the MAS every 1.5 seconds until cleared. There may be more than one error present, but only the highest priority will flash. If the highest error is cleared, the next highest will flash. All errors self-correct when the corrective action is taken and a reset is not needed.

TROUBLESHOOTING RADIO FUNCTIONALITY

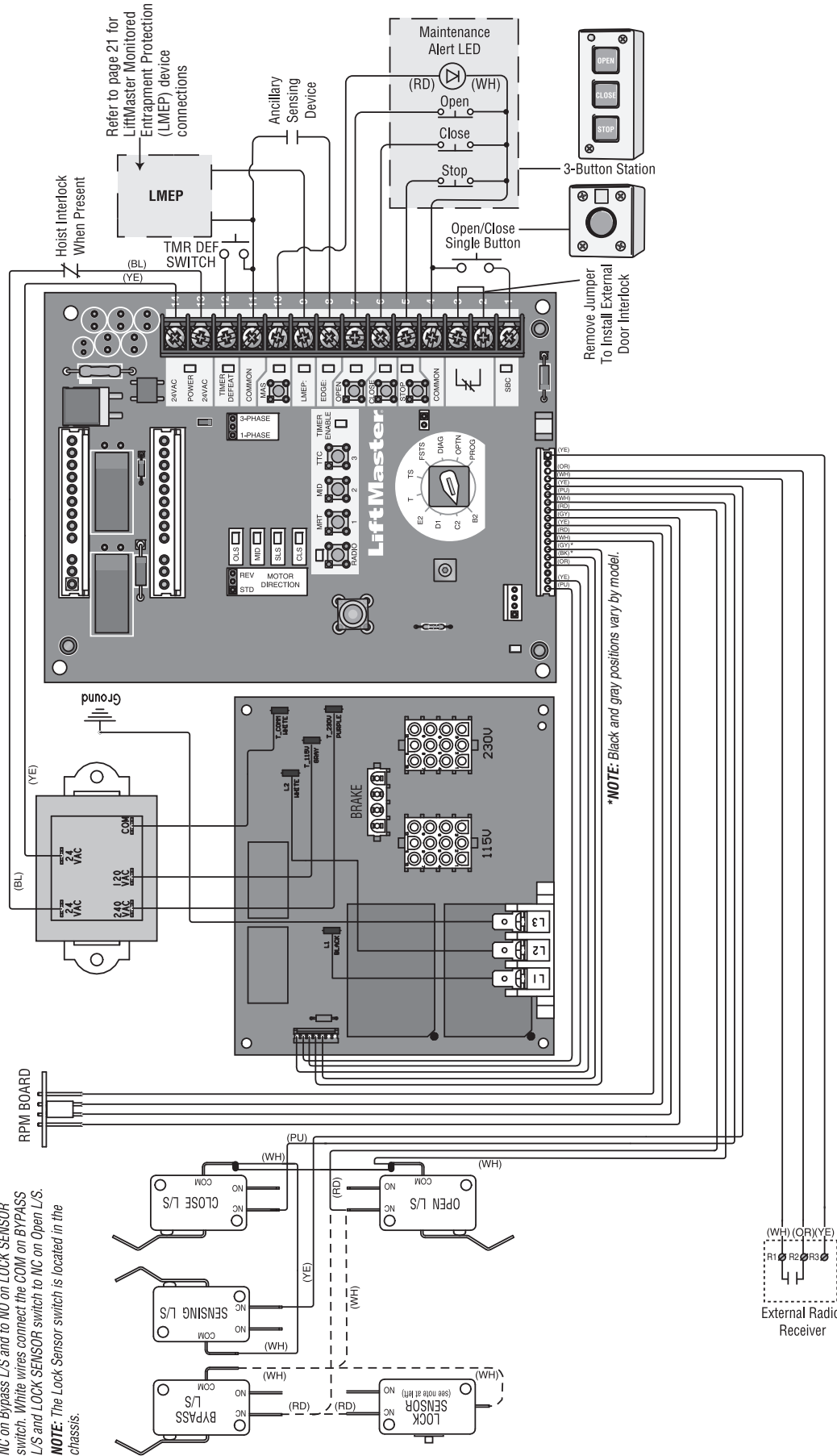
The error codes will display at the radio LED.

NOTE: Radio receiver is compatible with SECURITY+ 2.0™ remotes and keyless entry devices.

ERROR CODE	DISPLAY	SYMPTOM	POSSIBLE PROBLEM	CORRECTION
R1	Quick Flash	No response from the remote.	Unlearned remote - A user tries to use a remote, but the RADIO LED only flashes briefly and there is no response from the operator.	Try re-learning the remote (page 29).
R2	No LED activity	No response from the remote.	Cannot recognize remote - A weak signal caused by a discharged battery or outside interference with the remote(s) - OR - the remote(s) being learned is not compatible with the operator. Antenna not installed or damaged.	Replace battery - OR - eliminate interference - OR- obtain a qualified remote - OR- check antenna connections.
R3	Radio LED turns off after 30 seconds	The remote cannot be learned.	Cannot recognize remote - A weak signal caused by a discharged battery or outside interference interfering with the learn process - OR - the remote(s) being learned is not compatible with the operator. Antenna not installed or damaged.	Replace battery - OR - eliminate interference - OR- obtain a qualified remote - OR- check antenna connections.
R4	2 blinks	The remote cannot be learned.	Receiver memory full - A user enters RADIO function learning mode but there is no space left to add another remote.	Erase all learned remotes and re-learn the desired remote.
R5	3 blinks	The remote cannot be learned.	Duplicate remote - A user enters RADIO function learning and selects the function to be learned. When the remote button is pressed for learning, a search reveals that remote is already learned.	This remote already has a function associated with it. To change the function, erase all learned remotes and re-learn the desired remote.
R6	LMEP LED flashes	Cannot close via constant pressure in C2, D1 or E2 modes.	No entrapment protection device present - A sensing device is required to close via constant pressure.	Must connect a LiftMaster Monitored Entrapment Protection (LMEP) device.

WIRING DIAGRAMS

LOGIC (VER. 5.0) 1 PHASE WIRING DIAGRAM



NOTE: Lock Sensor is provided on Models DJ and DH only, red wire from main harness connects to NC on Bypass L/S and to NO on LOCK SENSOR switch. White wires connect the COM on BYPASS L/S and LOCK SENSOR switch to NC on Open L/S.

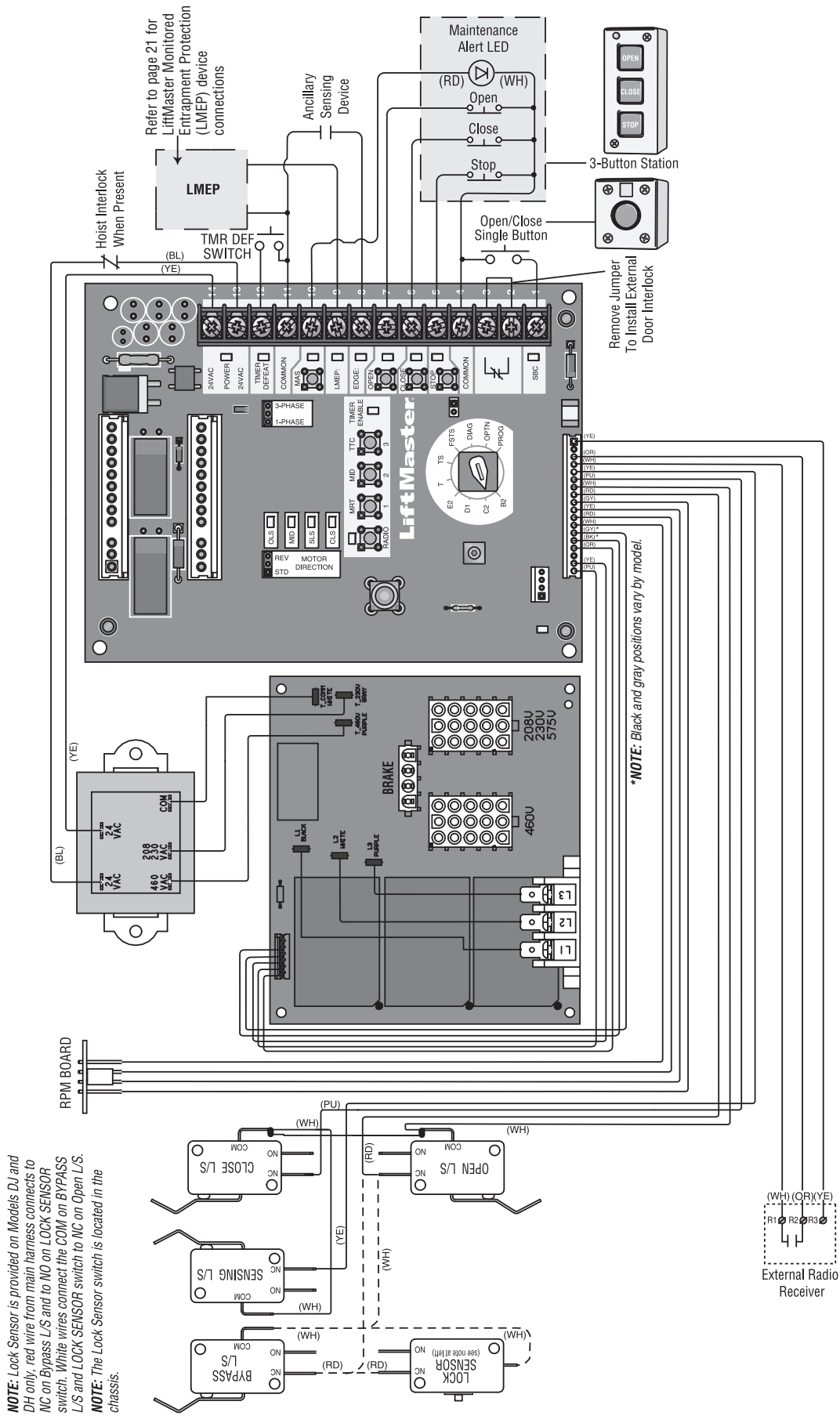
NOTE: The Lock Sensor switch is located in the chassis.

*NOTE: Black and gray positions vary by model.

NOTE: 32 Vac power supplied from White and Yellow wires located within the electrical box.

WIRING DIAGRAMS

LOGIC (VER. 5.0) 3 PHASE WIRING DIAGRAM



NOTE: Lock Sensor is provided on Models DJ and DH only; red wire from main harness connects to NC on Bypass L/S and to NO on LOCK SENSOR switch. White wires connect the COM on BYPASS L/S and LOCK SENSOR switch to NC on Open L/S.

NOTE: The Lock Sensor switch is located in the chassis.

NOTE: 32 Vdc power supplied from White and Yellow wires located within the electrical box.

ACCESSORIES

REMOTE CONTROLS WITH SECURITY+ 2.0™ & CONNECTIVITY



LiftMaster offers a variety of **SECURITY+ 2.0™** Remote Controls for your application needs. Single to 4-Button. Contact your authorized dealer.

811LM



Universal DIP Single-Button Remote Control:
Ideal for commercial door applications requiring a large number of remotes for a common space.

813LM



Universal DIP Three-Button Remote Control:
Includes Red, Yellow and Green markings which Indicates Open, Close, Stop.

893MAX



3-Button Remote Control:
Can also control up to 3 MyQ® enabled light devices. Compatible with all LiftMaster® commercial door operators manufactured since January 1993.

877LM



Wireless Keypad:
Able to be programmed with temporary access codes for visitors or delivery personnel.

STAR1000



Commercial Access Control Receiver:
Connects up to 1000 LiftMaster® remote controls. Supports suspending and unsuspending remote controls to withhold and reinstate access.

828LM



LiftMaster® Internet Gateway:
Enables owners of Commercial Door Operators to open and close their doors and turn on/off lights in or around their facility using a smart phone or computer from anywhere in the world.

CONTROL STATIONS

02-101



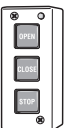
1-Button Control Station:
Steel enclosure.

02-102



2-Button Control Station:
Steel enclosure.

02-103L



3-Button Control Station:
Steel enclosure with Maintenance Alert System.

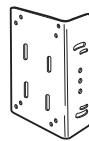
02-110



Key Control Station:
Indoor flush mount, NEMA 1 with Stop button.

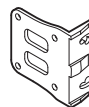
MOUNTING BRACKETS

10-12360



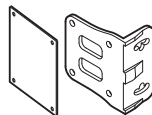
Heavy gauge steel bracket for vertical or horizontal mount on either front or top of coil on a rolling door. Has a variety of mounting hole patterns compatible with many OEM manufacturers. For use with J, H, DJ, and DH operators. May be welded.

08-9098



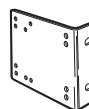
Cast iron bracket to mount J, H, DH, DJ, and GH side mount operators on end bracket of a rolling door or top of coil. Cannot be welded.

08-9098EZ



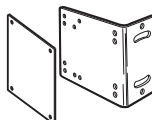
Same as 08-9098, but with adapter plate to hold mounting bolts in place for easy mounting.

1A4324



Heavy gauge steel bracket for vertical or horizontal mount on either front or top of coil on a rolling door. May be welded. For use with J, H, DJ, and DH operators.

1A4324EZ

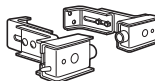


Same as 1A4324, but with adapter plate to hold mounting bolts in place for easy mounting.

ENTRAPMENT PROTECTION DEVICES

MONITORED

CPS-U



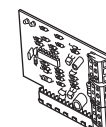
Commercial Protector System® Photoelectric Sensor:
Provides protection on doors up to 30' wide.

CPS-UN4



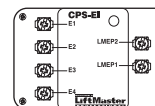
Commercial Protector System® Photoelectric Sensor:
Provides protection on doors up to 45' wide. NEMA-4 rated.

CPS3CARD



Option Logic Board:
For use when more than one set of photoelectric sensors are required. Also available pre-packaged with a second set of photoelectric sensors; see CPS3 or CPS3-N4 in Commercial Door Operator Product and Accessories Price List for more information.

CPS-EI



Monitored Sensing Edge Interface:
For use with the approved 4-wire edge.

ACCESSORIES

ENTRAPMENT PROTECTION DEVICES

MONITORED

CPS-RPEN4



Photoelectric Sensor:

For Commercial Door Applications. Detects obstructions and communicates with the reflector up to 50 feet. NEMA4 waterproof enclosure.

CPS-OPEN4



Photoelectric Sensor:

Provides primary entrapment protection on doors up to 45 feet wide. NEMA4X rated.

OES-SD16



16' Sectional Door Kit:

Includes rubber extrusion, photoelectric sensors, coil cord, junction box, and mounting kit. PVC Channel sold separately.

OES-SD24



24' Sectional Door Kit:

Includes rubber extrusion, photoelectric sensors, coil cord, junction box, and mounting kit. PVC Channel sold separately.

OES-RD16



16' Rolling Door Kit:

Includes rubber extrusion, photoelectric sensors, coil cord, junction box, and mounting kit. PVC Channel sold separately.

65-CPT-223-15S



2-Wired Monitored Electric Edge:

For up to 15 foot wide sectional doors. Kit includes mounting channels. Cut in field to required length. Requires CPS-MEI.

65-CPT-223-25S



2-Wired Monitored Electric Edge:

For up to 25 foot wide sectional doors. Kit includes mounting channels. Cut in field to required length. Requires CPS-MEI.

65-CPT-223-15R



2-Wired Monitored Electric Edge:

For up to 15 foot wide rolling doors. Kit includes mounting channels. Cut in field to required length. Requires CPS-MEI.

65-CPT-223-25R



2-Wired Monitored Electric Edge:

For up to 25 foot wide rolling doors. Kit includes mounting channels. Cut in field to required length. Requires CPS-MEI.

CPS-MEI



Required interface for connection of 65-CPT223-15 or 65-CPT223-25.

ENTRAPMENT PROTECTION DEVICES

NON-MONITORED

65-8202



Vehicle Detection System:

Pneumatic Sensing Edge Kit with exterior air switch, 2-wire coil cord and 14' air hose.

65-5202



Vehicle Detection System:

Pneumatic Sensing Edge Kit with exterior air switch, 2-wire take-up reel (20' extended) and 14' air hose.

OPTION CARDS

TLS1CARD

Timer Light Status Card:

The TLS option card provides special functionality to activate and flash auxiliary devices such as lights, bells, and horns/strobes at various door positions, and to provide special timer functions.

AUXCARD

Auxiliary Contact Card:

The Auxiliary Contact option card has both Normally-Open and Normally-Closed contacts that actuate when the door is idle, opening, or closing.

CHAIN TENSIONERS

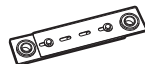
For Jackshaft Type Operators

71-6023

For 1" shafts. Recommended to properly tension drive chain between operator shaft and door shaft.

71-6125

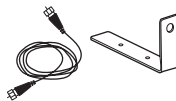
Same as 71-6023, but for 1-1/4" shafts.



MISCELLANEOUS

86LM (15')

86LMT (25')



Antenna Extension Kit:

The antenna extension kit can be used with EXT-ANT for maximum radio receiver range.

RDGRNTL/ RGL24LY

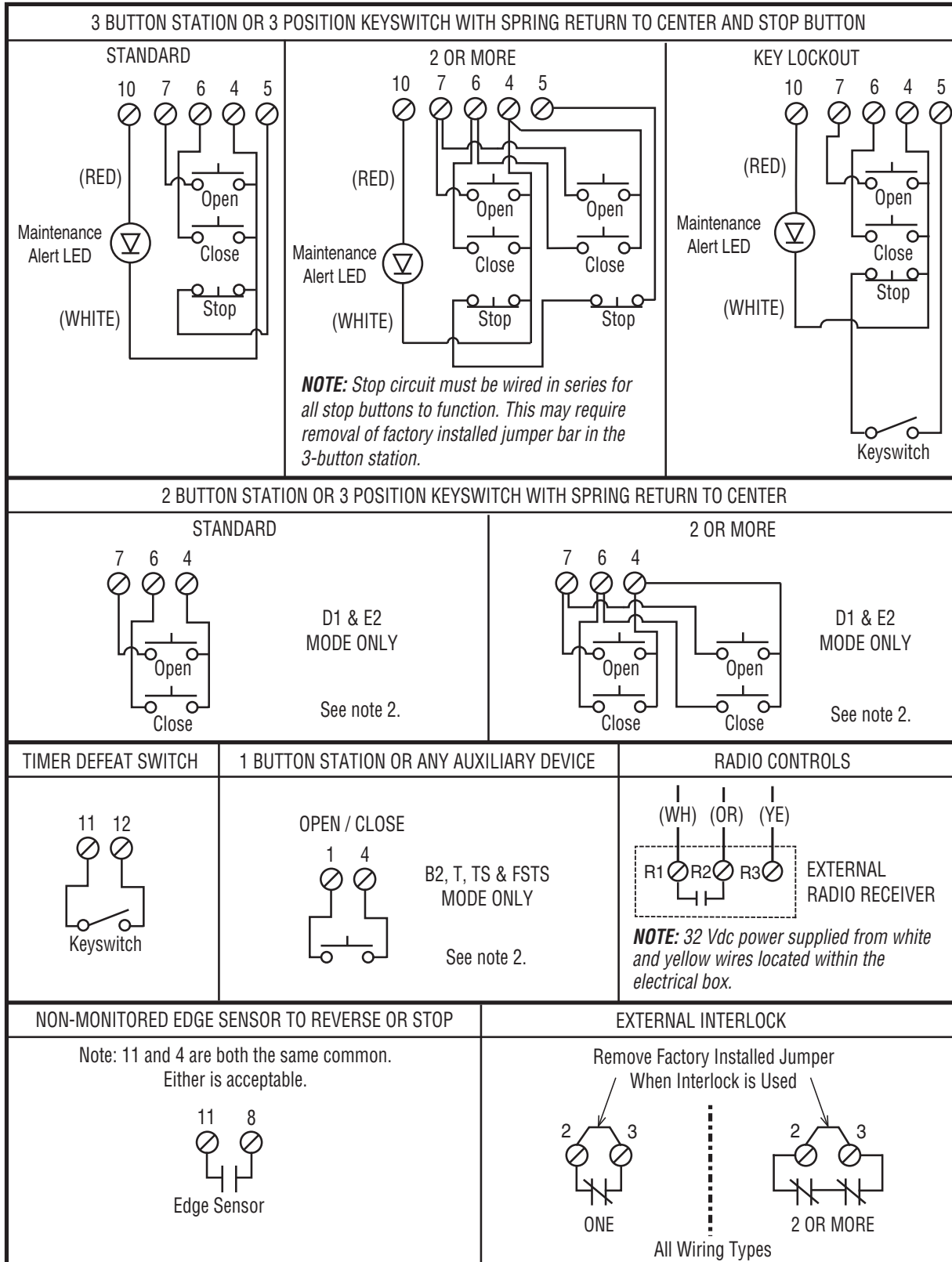
Red/Green Traffic Light:

24 Vdc used in conjunction with the TLS1CARD.

CONTROL CONNECTION DIAGRAM

IMPORTANT NOTES:

1. The 3-Button Control Station provided must be connected for operation.
2. If a STOP button is not used, a jumper must be placed between terminals 4 and 5.
3. When adding accessories, install them one at a time and test each one after it is added to ensure proper installation and operation with the Commercial Door Operator.



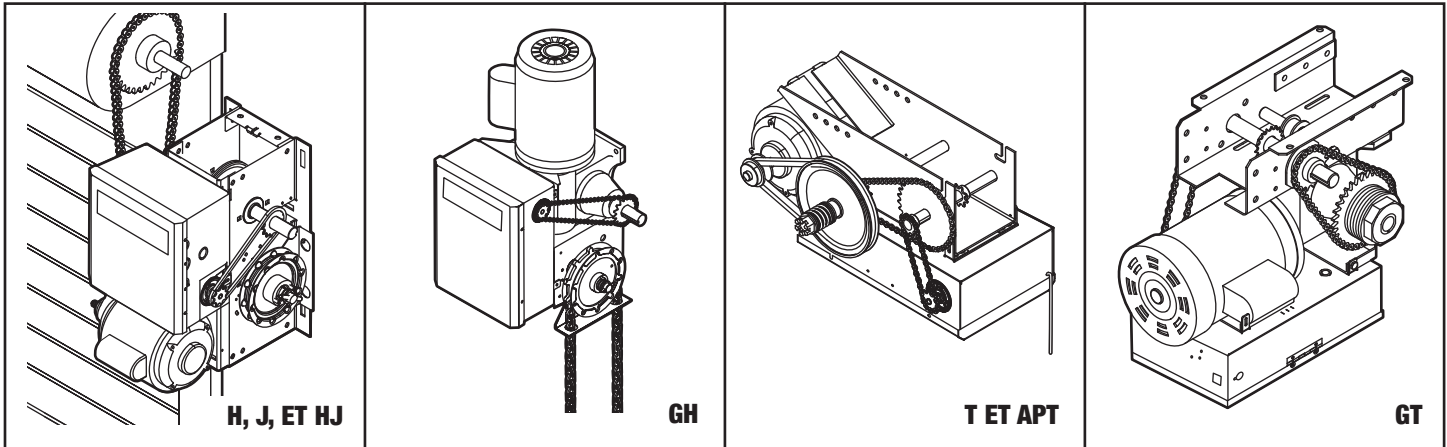
OUVRE-PORTE INDUSTRIEL POUR SERVICE COMMERCIAL

LOGIC 5.0

Security+ 2.0™



MANUEL D'INSTALLATION



**CE PRODUIT DOIT ÊTRE INSTALLÉ ET
ENTRETENU SEULEMENT PAR UN TECHNICIEN
FORMÉ EN SYSTÈMES DE PORTE.**

Les ouvre-portes sont expédiés en mode de fonctionnement C2. Rendez visite à www.liftmaster.com pour localiser le revendeur-installateur le plus proche de chez vous.

GARANTIE DE 2 ANS

No de série _____

Date d'installation _____

COORDONNÉES

Two large empty rectangular boxes for providing contact information.



TABLE DES MATIÈRES

INFORMATIONS DE SÉCURITÉ	3	RÉGLAGES	22-23
OUVRE-PORTES À CHARIOT	4-12	Réglage de fin de course	22
Contenu de l'emballage	4	Réglage de l'embrayage (Modèles d'ouvre-portes à courroie d'entraînement)	23
Spécifications de l'ouvre-porte	4-5	TEST	24
Zone de porte maximale	5	DÉGAGEMENT MANUEL	25-26
Poids et dimensions	6	Système de déconnexion d'urgence Modèles GT et T	25
ASSEMBLAGE	7-9	Système de déconnexion d'urgence Modèle APT	25
Assemblage de l'ouvre-porte (Modèles T et GT)	7	Système de déconnexion d'urgence Modèles H, GH, J, et HJ	26
Installation de la chaîne (Modèles T et GT)	8	PROGRAMMATION	27-34
Assemblage de l'ouvre-porte (Modèle APT)	9	Introduction à la programmation	27
INSTALLATION TYPIQUE	10-12	Détermination et configuration du type de câblage	28
Pose du support de linteau	10	Programmation des télécommandes	29-30
Fixation du rail au support de linteau	11	Programmation des dispositifs MyQ ^{MD} (facultative)	31
Suspension de l'ouvre-porte	11	Système d'alerte d'entretien (MAS)	31
Fixation du bras de porte	12	Ouverture à mi-course	32
OUVRE-PORTES À PALAN ET À ARBRE SECONDAIRE	13-17	Minuterie de fermeture	32-33
Contenu de l'emballage	13	Mode Concessionnaire automobile	33
Spécifications de l'ouvre-porte	13-14	Minuterie de fonctionnement maximal (MRT)	34
Zone de porte maximale	14	Restauration des valeurs d'usine par défaut - Effacement de la mémoire	34
Poids et dimensions	15	ENTRETIEN	35
ASSEMBLAGE	16	Périodicités d'entretien	35
Assemblage de l'ouvre-porte	16	Fonction de durée de vie de l'ouvre-porte (Odomètre/compteur de cycles)	35
INSTALLATION TYPIQUE	16-17	Frein (le cas échéant)	35
Détermination de l'emplacement de montage	16	Comment commander les pièces de rechange	35
Montage	17	DÉPANNAGE	36-39
Installation de la déconnexion manuelle	17	Fiche diagnostique	36
CÂBLAGE	18-19	Guide de dépannage	37
Alimentation et mise à la terre	18	Codes d'erreur de dépannage	38
Sélection du conducteur d'alimentation du moteur	18	Fonctionnalité de dépannage par radio	39
Station de commande	19	SCHÉMAS DE CÂBLAGE	40-41
PROTECTION CONTRE LE PIÉGEAGE	20-22	Logic 5 Schéma de câblage 1 phase	40
Protection contre le piégeage avec surveillance LiftMaster (LMEP)	20	Logic 5 Schéma de câblage 3 phases	41
Installation des dispositifs de protection contre le piégeage avec surveillance LiftMaster (LMEP) (facultative)	21	ACCESSOIRES	42-43
Câblage des dispositifs de protection contre le piégeage avec surveillance LiftMaster (LMEP)	21	SCHÉMA DE CONNECTIONS DE COMMANDE	44

INFORMATIONS DE SÉCURITÉ

AVERTISSEMENT

Mécanique

AVERTISSEMENT

Électrique

ATTENTION

Lorsque vous verrez ces symboles de sécurité et ces mots-indicateurs sur les pages suivantes, ils vous aviseront de la possibilité de **blessures graves** ou **mort** si vous ne vous conformez pas aux avertissements qui les accompagnent. Le danger peut être de source mécanique ou provenir d'un choc électrique. Lisez attentivement les avertissements.

Lorsque vous verrez ce mot-indicateur sur les pages suivantes, il vous alertera de la possibilité de dommage à la porte et/ou à l'ouvre-porte si vous ne vous conformez pas aux avertissements l'accompagnant. Lisez-les attentivement.

REMARQUES IMPORTANTES :

- *AVANT d'essayer d'installer, de faire fonctionner ou d'assurer l'entretien de l'ouvre-porte, vous devez lire et comprendre intégralement ce manuel et appliquer toutes les instructions de sécurité.*
- *NE PAS ESSAYER de réparer ou d'entretenir votre porte commerciale et le dispositif de fermeture de barrière, à moins d'être un technicien d'entretien agréé.*
- *L'ouvre-porte est conçu pour être installé sur une porte bien équilibrée seulement. S'assurer que la porte est correctement équilibrée avant l'installation.*

INSTRUCTIONS IMPORTANTES CONCERNANT L'INSTALLATION

AVERTISSEMENT

POUR RÉDUIRE LE RISQUE DE BLESSURES GRAVES, VOIRE MORTELLES :

1. LIRE ET SUIVRE TOUS LES AVERTISSEMENTS ET TOUTES LES INSTRUCTIONS D'INSTALLATION.
2. L'ouvre-porte doit SEULEMENT être installé sur une porte correctement équilibrée et graissée. Une porte mal équilibrée peut NE PAS inverser sa course en cas de besoin et peut être à l'origine de BLESSURES GRAVES, voire MORTELLES.
3. TOUTES les réparations aux câbles, ensembles de ressort et autres ferrures de montage DOIVENT être confiées à un technicien formé en systèmes de porte AVANT l'installation de l'ouvre-porte.
4. Désactiver TOUTES les serrures et retirer TOUTES les cordes raccordées à la porte de garage AVANT d'installer l'ouvre-porte afin d'éviter un emmêlement.
5. Installer l'ouvre-porte à 8 pi (2,44 m) ou plus au-dessus du plancher.
6. Ne JAMAIS raccorder l'ouvre-porte de garage à une source de courant avant d'avoir reçu l'instruction de le faire.
7. Ne JAMAIS porter de montres, bagues ou vêtements amples durant l'installation ou l'entretien de l'ouvre-porte. Ils pourraient être happés par la porte de garage ou les mécanismes de l'ouvre-porte.
8. Installation de la station de commande :
 - bien en vue de la porte de garage.
 - hors de la portée des enfants, à une hauteur minimale de 5 pi (1,5 m).
 - à l'écart de TOUTES les pièces mobiles de la porte.
9. Installer la station de commande suffisamment loin de la porte afin d'éviter à l'utilisateur d'entrer en contact avec celle-ci lors de l'utilisation des commandes.
10. Installer le placard d'avertissement contre le piégeage sur le mur adjacent à la station de commande sur un emplacement parfaitement visible depuis la porte.
11. Placer l'étiquette de tests d'inversion de sécurité/d'ouverture manuelle bien en vue à l'intérieur de la porte de garage.
12. Une fois l'installation terminée, veuillez tester le dispositif de protection contre le piégeage.
13. **CONSERVER CES INSTRUCTIONS.**

OUVRE-PORTES À CHARIOT

CONTENU DE L'EMBALLAGE

Avant de commencer votre installation, vérifier que tous les composants ont été fournis.

DESCRIPTION

Assemblage de la tête motorisée

Manuel d'instructions et étiquettes de précaution

Boîte de quincaillerie (comprend les fixations, les entretoises de rail, le chariot, l'assemblage de bras de porte, la poulie libre avant et le support de montage de linteau)

Station de commande à 3 boutons avec MAS DEL

Chaîne d'entraînement du chariot : No 48 pour 1/3 et 1/2 HP,

No 41 pour 3/4 HP et plus (tous les modèles GT)

REMARQUE : Les rails sont expédiés séparément.

PROTECTION CONTRE LE PIÉGEAGE :

Protection contre le piégeage avec surveillance LiftMaster (LMEP)

Des capteurs photoélectriques et/ou des capteurs d'arrêt contrôlés sont nécessaires pour établir tout contact momentané afin de désactiver les modes d'opération. Consultez les pages 20 et 21 pour de l'information supplémentaire. Pour les options offertes, référez-vous à section « Dispositifs de protection contre le piégeage » de la page 42.

SPÉCIFICATIONS DE L'OUVRE-PORTE

MOTEUR

TYPE : Service continu

PUISSANCE :

Modèle APT 1/2 HP

Modèle GT 1/2, 3/4, 1 et 1-1/2 HP

Modèle T 1/3, 1/2, 3/4 et 1 HP

VITESSE (à la charge nominale) 1725 tr/min

TENSION :

Modèle APT 115V 1 Phase

Modèle GT et T 115/230V 1 Phase,
208/230/460/575V 3 Phases

COURANT (ampérage) :

Modèle T et GT

Tension-Phase	1/3 HP	1/2 HP	3/4 HP	1 HP	1-1/2 HP
115-1Ø, 60Hz	8,5	11,2	13,6	16	20
230-1Ø, 60Hz	4,2	5,6	6,8	8	10
208/230-3Ø, 60Hz	3	3,1	4	6	7
460-3Ø, 60Hz	1,5	1,75	2	3	3,5
575-3Ø, 60Hz	1,3	1,4	1,6	1,8	2,75

Modèle APT

Tension-Phase	1/2 HP
115-1Ø, 60Hz	11,2

ÉLECTRIQUE

TRANSFORMATEUR : 24Vca secondaire

STATION DE COMMANDE : Station NEMA 3 boutons
Ouvrir/Fermer/Arrêter avec DEL

TYPE DE CÂBLAGE : C2 (Standard)

Contact momentané pour OUVRIER et ARRÊTER, pression constante pour FERMER, plus câblage du dispositif de protection contre le piégeage pour inverser la course de la porte et dispositifs auxiliaires pour ouvrir et fermer avec surpassement. Voir page 28 pour types de câblages et modes de fonctionnement en option.

RÉGLAGE DE FIN DE COURSE : ... Conduite linéaire, cames de type vis entièrement ajustables. Ajustable à 24 pi.

FREIN : Standard sur les modèles APT et GT, et sur les modèles T munis d'un 3/4 à 1 HP

DÉCONNEXION : Bras de porte à déconnexion rapide pour fonctionnement manuel d'urgence de la porte.

SPÉCIFICATIONS DE L'OUVRE-PORTE

MÉCANIQUE

RÉDUCTION D'ENTRAÎNEMENT :

Modèles APT et T Primaire : Courroie trapézoïdale (5L) renforcée
 Secondaire : Chaîne no 41 pignon;
 Sortie : Chaîne no 48 (1/3 et 1/2 HP Modèle T et APT) ou chaîne no 41 (3/4 et 1 HP Modèle T SEULEMENT)
 Modèle GT Primaire : 20:1 Réducteur de vitesse renforcé à vis sans fin dans bain d'huile
 Sortie : chaîne no 41

VITESSE DE L'AXE DE SORTIE :

Modèle APT 96 tr/min
 Modèle GT 113,5 tr/min

Modèle T 140 tr/min

VITESSE DE LA PORTE (non ajustable) :

Modèle APT 6-7 po par seconde
 Modèle GT 11-12 po par seconde
 Modèle T 11-12 po par seconde

FREIN : Frein à disque électromagnétique sur 3/4 et 1 HP, standard sur les modèles APT et GT (Disponible en option pour 1/3 et 1/2 HP)

ROULEMENTS : Arbre de sortie : Roulement à billes avec flasques

Modèles APT et T Arbre d'embrayage : FerCuivre fritté et imprégné d'huile

ZONE DE PORTE MAXIMALE (PI2)

MODÈLE T					
SECTIONNEL STANDARD	---	Acier 24 ga. 22 ga.	Acier 20 ga.	Acier 16 ga.	---
	Porte fibre de verre	Portes Alum.	Portes Bois	---	---
	---	---	Acier Isol. 24 ga.	Acier Isol. 20 ga.	Acier Isol. 16 ga.
1/3 HP	310	285	260	175	125
1/2 HP	400	350	320	250	200
3/4 HP	560	500	450	325	275
1 HP	640	625	560	400	310

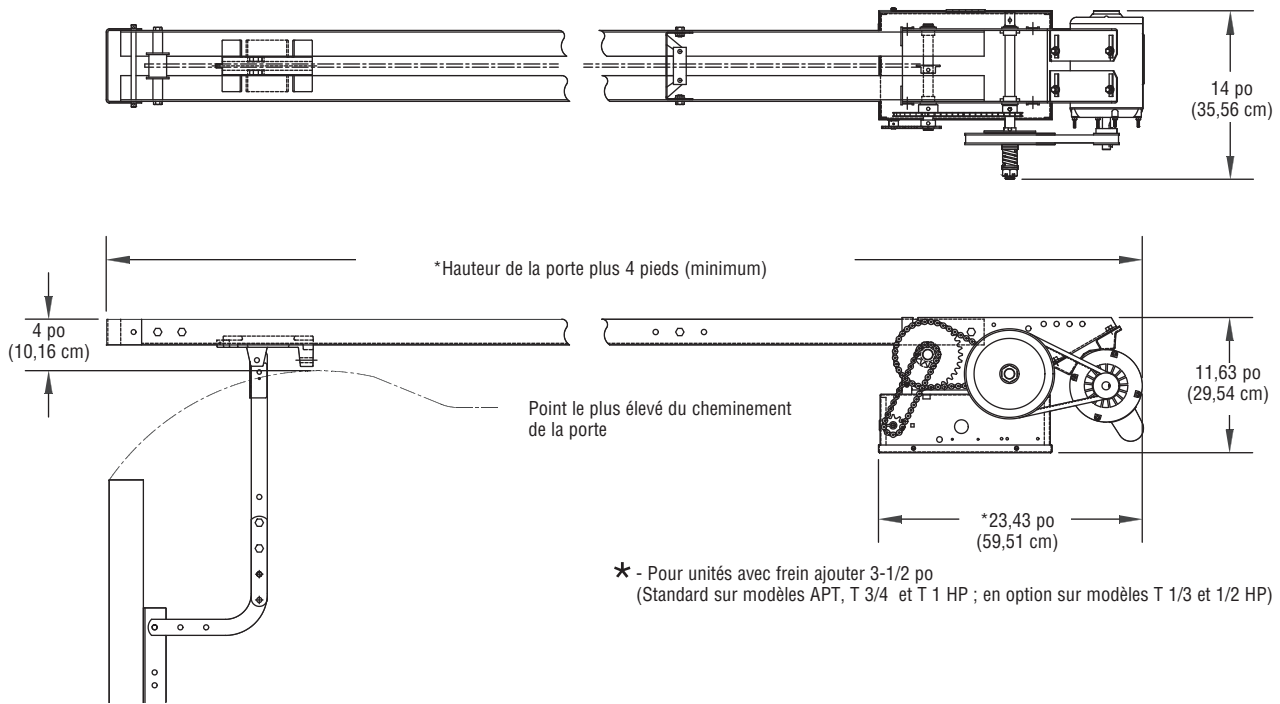
MODÈLE APT				
SECTIONNEL STANDARD	Acier 24 ga. 22 ga.	Acier 20 ga.	Acier 16 ga.	---
	Portes Alum.	Portes Bois	---	---
	Porte fibre de verre	Acier Isol. 24 ga.	Acier Isol. 20 ga.	Acier Isol. 16 ga.
1/2 HP	250	225	150	100

MODÈLE GT					
SECTIONNEL STANDARD	---	Acier 24 ga. 22 ga.	Acier 20 ga.	Acier 16 ga.	---
	Porte fibre de verre	Portes Alum.	Portes Bois	---	---
	---	---	Acier Isol. 24 ga.	Acier Isol. 20 ga.	Acier Isol. 16 ga.
1/2 HP	400	350	320	250	200
3/4 HP	560	500	450	325	250
1 HP	625	575	500	400	300
1-1/2 HP	---	625	550	475	380

POIDS ET DIMENSIONS

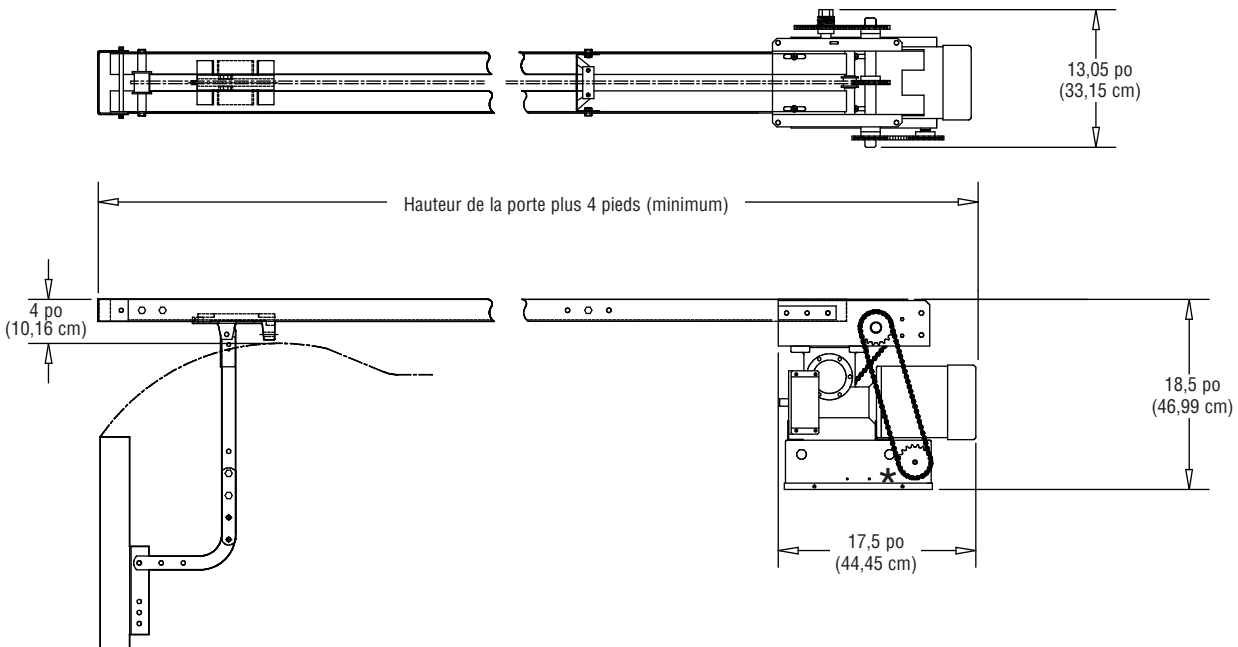
MODÈLES T ET APT

Poids suspendu : 80-110 lb



MODÈLE GT

Poids suspendu : 140 lb



ASSEMBLAGE

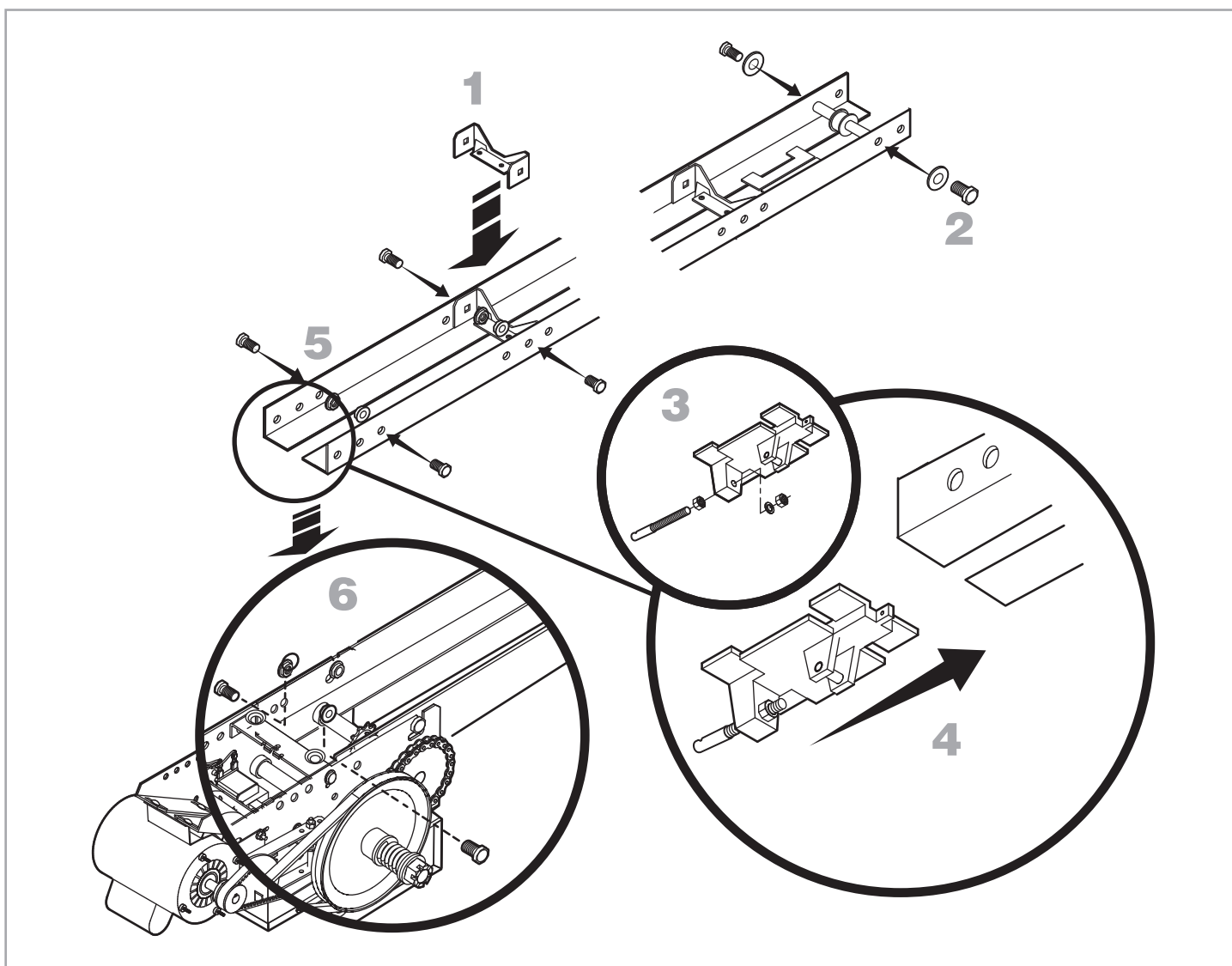
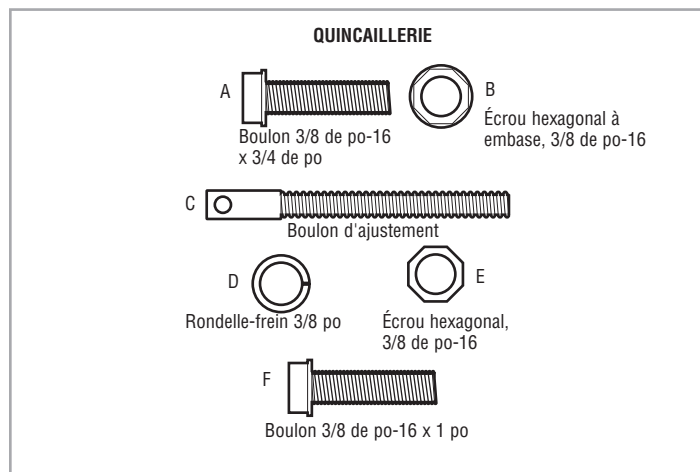
ASSEMBLAGE DE L'OUVRE-PORTE (MODÈLES T ET GT)

REMARQUE : Pour l'assemblage du Modèle APT, se référer à la page 9.

- 1 Installer à intervalles réguliers les entretoises de rails sur toute la longueur du rail. Fixer les entretoises au rail avec les boulons (A) et les écrous hexagonaux à embase (B).

ESPACEURS FOURNIS	LONGUEUR DU RAIL
2	8-14 pi
3	16-20 pi
4	22-24 pi

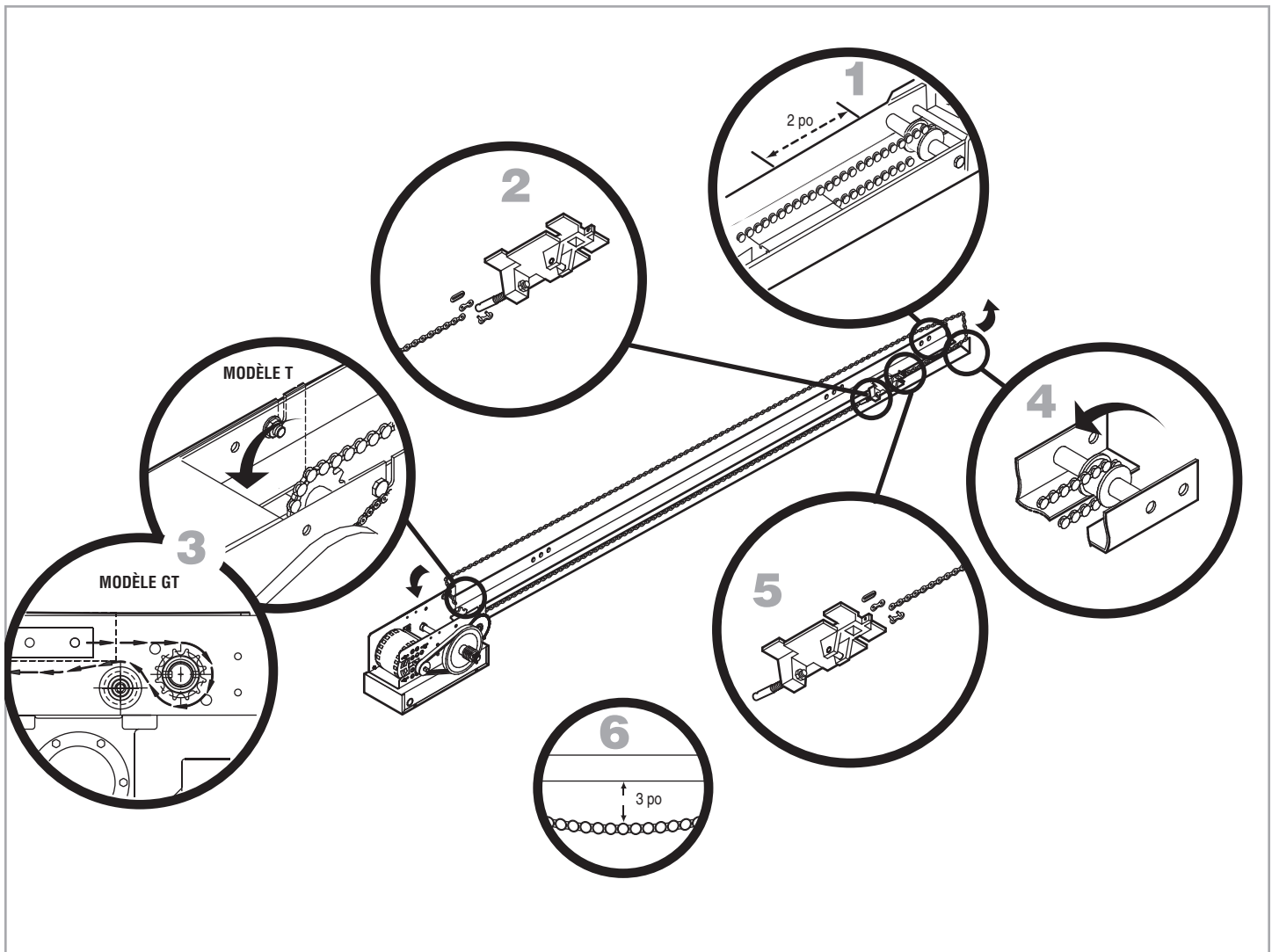
- 2 Installer la poulie libre avant au rail avec les boulons (F) et les rondelles (D).
- 3 Assembler le chariot avec le boulon d'ajustement (C), les écrous hexagonaux (E), et les rondelles-frein (D).
- 4 Faites glisser le chariot sur le rail.
- 5 Insérer les boulons (A) dans le bout du rail et visser les écrous (B) sans serrer sur les bouts des boulons.
- 6 Glisser les boulons (A) sur le bout de l'ensemble de rail dans la fente « L » de l'ouvre-porte et serrer les écrous (B). Insérer les boulons (A) dans les trous sur le bout du rail et l'ouvre-porte. Fixer le rail avec les écrous (B).



INSTALLATION DE LA CHAÎNE (MODÈLES T ET GT)

REMARQUE : Pour l'assemblage du Modèle APT, se référer à la page 9.

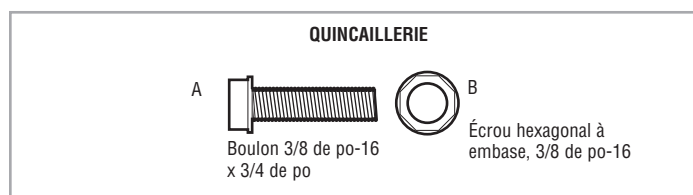
- 1** Placer le chariot à 2 pouces de la poulie libre avant.
- 2** Fixer la chaîne à l'arbre fileté du chariot à l'aide de la maille maîtresse.
- 3** Placer la chaîne le long du rail de l'ouvre-porte. Enrouler la chaîne autour du pignon d'entraînement de l'ouvre-porte.
- 4** Placer la chaîne le long du rail vers la poulie libre avant. Enrouler la chaîne autour de la poulie libre avant.
- 5** Fixer la chaîne à l'avant du chariot à l'aide de la maille maîtresse.
- 6** Resserrer la chaîne jusqu'à ce que la chaîne pende d'environ 3 pouces au point milieu du rail.



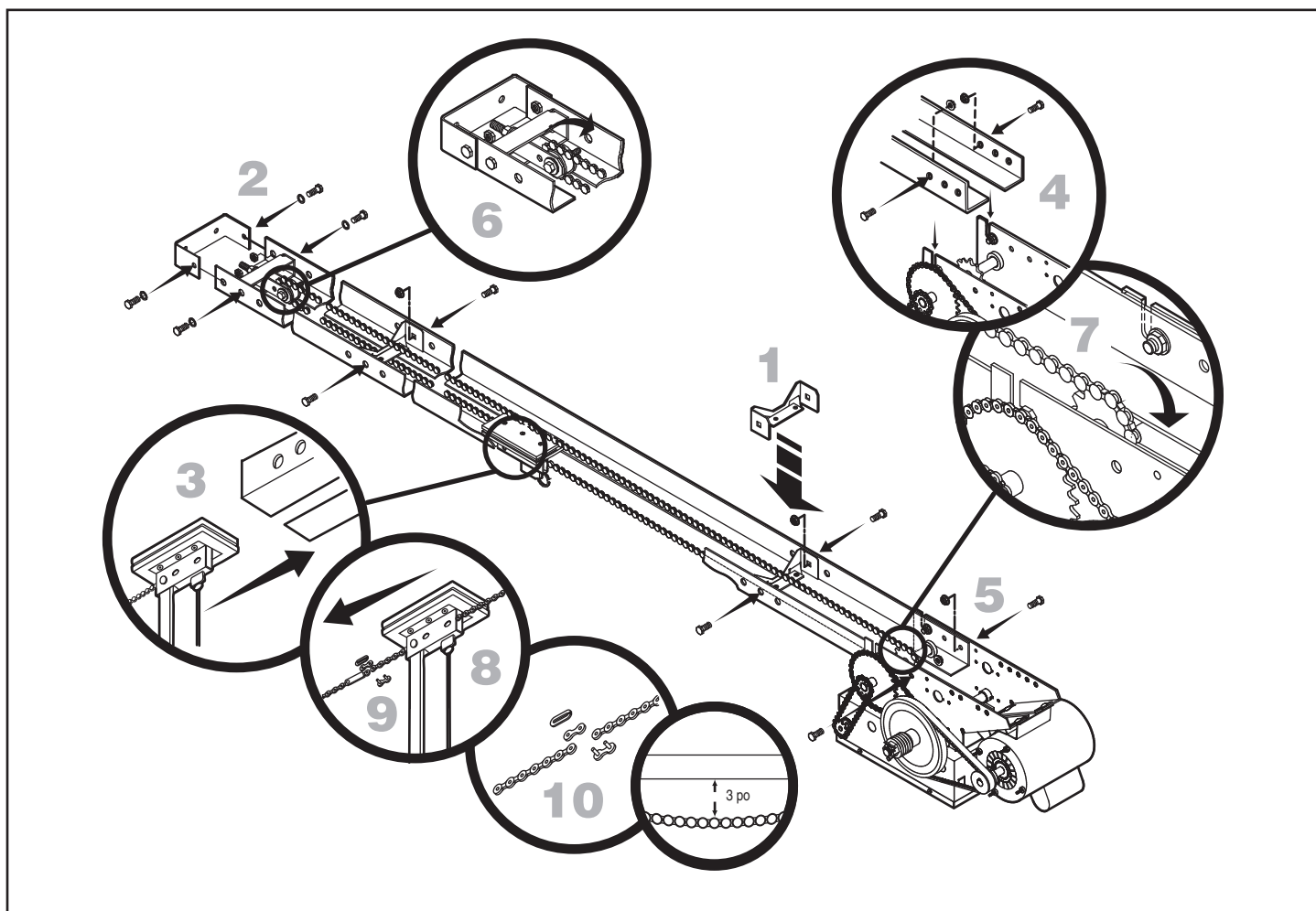
ASSEMBLAGE DE L'OUVRE-PORTE (MODÈLE APT)

REMARQUE : Si votre modèle n'est pas un APT, passer à la page suivante.

- 1** Installer à intervalles réguliers les entretoises de rails sur toute la longueur du rail. Fixer les entretoises au rail avec les boulons (A) et les écrous hexagonaux à embase (B).
- 2** Installer les poulies libres avant dans le deuxième ensemble de trous au bout du rail avec les boulons (A) et les écrous (B).
- 3** Glisser le chariot sur le rail afin que le trou du bras de porte soit face à l'avant (vers la porte).
- 4** Insérer les boulons (A) dans le bout du rail et visser les écrous (B) sans serrer sur les bouts des boulons. Glisser les boulons (A) sur le bout de l'ensemble de rail dans la fente « L » de l'ouvre-porte et serrer les écrous (B).
- 5** Insérer les boulons (A) dans les trous sur le bout du rail et l'ouvre-porte. Fixer le rail avec les écrous (B).
- 6** Placer la chaîne le long du rail vers la poulie libre avant. Enrouler la chaîne autour de la poulie libre avant.
- 7** Placer la chaîne le long du rail de l'ouvre-porte. Enrouler la chaîne autour du pignon d'entraînement de l'ouvre-porte.



- 8** Tirer la clip de dégagement sur le chariot et pousser l'extrémité de la chaîne à travers la fente dans le chariot.
- 9** Fixer un extrémité de la chaîne à la maille d'entraînement à l'aide de la maille maîtresse.
- 10** Fixer l'autre extrémité de la chaîne à l'extrémité libre de la maille d'entraînement à l'aide de la maille maîtresse en s'assurant que la chaîne a la bonne tension (la chaîne devrait pendre d'environ 3 pouces au point milieu du rail). La chaîne devra être coupée pour s'ajuster correctement. Le boulon d'ajustement peut être serré ou desserré pour ajuster le mou de la chaîne. Glisser le chariot d'arrière en avant dépassé la chaîne d'entraînement pour s'assurer qu'il n'y a pas de blocage.



INSTALLATION TYPIQUE

INSTALLER LE SUPPORT DE LINTEAU

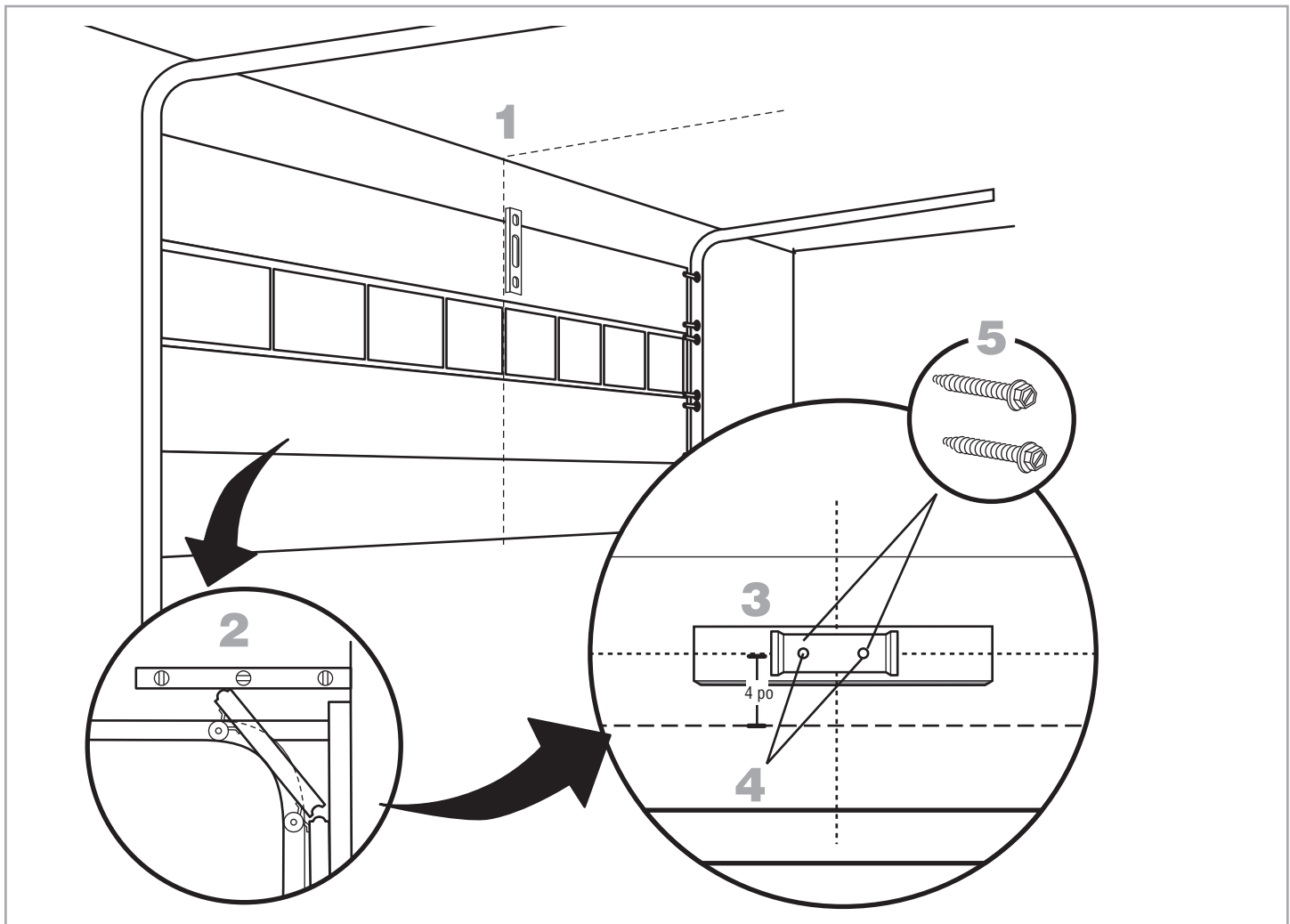
L'ouvre-porte à chariot est généralement monté au-dessus du centre de la porte. Cependant, un montage hors centre peut être nécessaire à cause de structures qui interfèrent ou de la position du montant d'entrée/du support de section supérieure. Habituellement, l'ouvre-porte peut être monté jusqu'à 24 pouce hors centre sur les portes à ressort de torsion. Les ressort de traction exigent un montage central.

- 1 Fermer la porte. Marquer le centre de la porte avec une ligne verticale, étendre la ligne jusque sur le plafond.
- 2 Ouvrir la porte jusqu'au point le plus haut de la marque de course 4 pouces au-dessus du point le plus élevé de la course.
- 3 Centrer le support de linteau sur la ligne centrale verticale et la ligne horizontale.
- 4 Percer les avant-trous pour le support de linteau.
- 5 Fixer le support de linteau avec la quincaillerie appropriée (non fournie).

⚠ AVERTISSEMENT

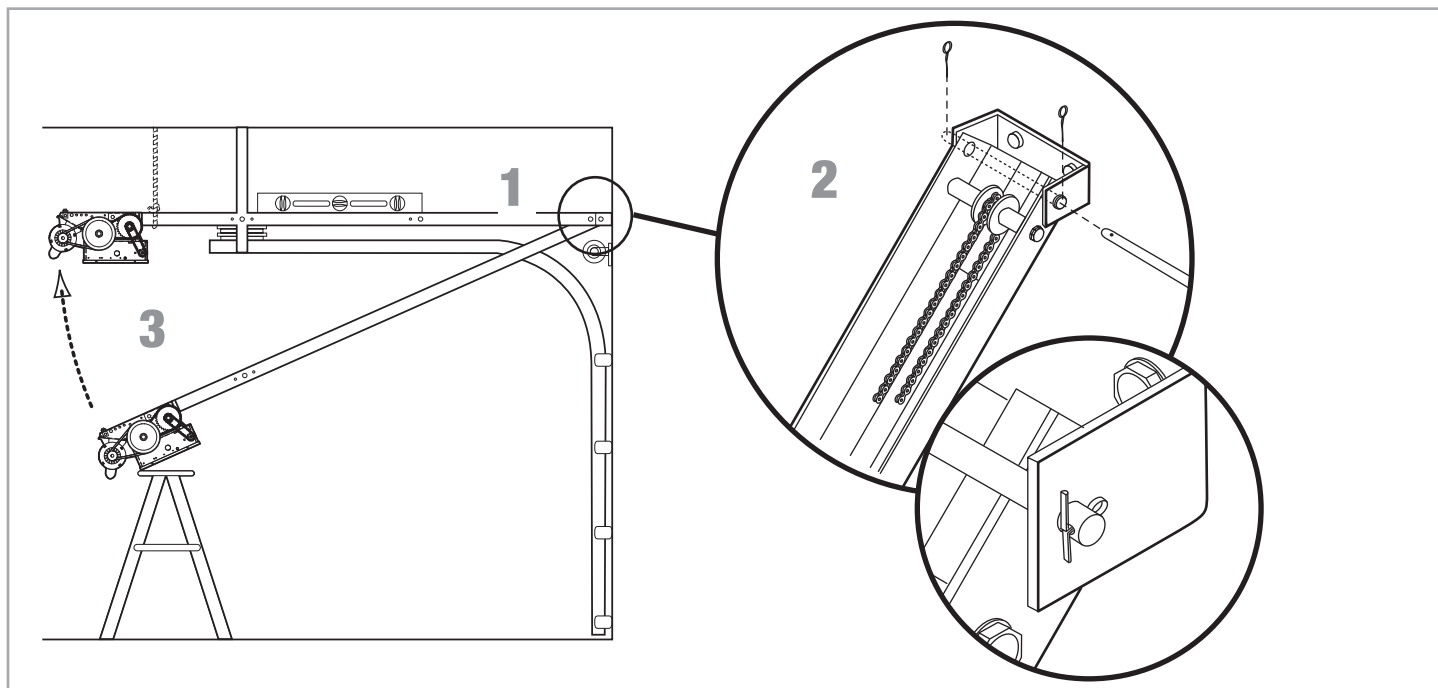
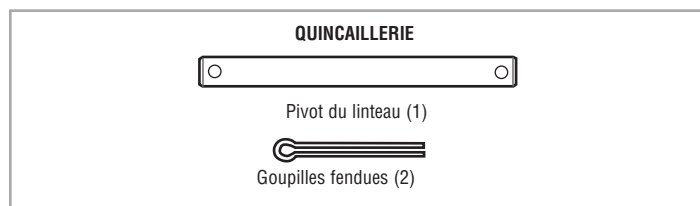
Pour empêcher une BLESSURE GRAVE ou une MORT possible :

- Le support de linteau **DOIT** être fixé **RIGIDEMENT** au support de structure sur le linteau ou le plafond, sinon la porte pourrait **NE PAS** inverser sa course lorsque nécessaire. **NE PAS** installer le support de linteau sur une cloison sèche.
- Des ancrages à béton **DOIVENT** être utilisés si le support de linteau ou des 2x4 sont installés dans la maçonnerie.
- **NE JAMAIS** essayer de desserrer, déplacer ou ajuster la porte, les ressorts, les câbles, les poulies les supports ou leur quincaillerie, qui sont **TOUS** sous une **EXTRÊME** tension.
- **TOUJOURS** contacter un technicien formé en systèmes de porte si la porte se bloque, colle ou est débalancée.



FIXER LE RAIL AU SUPPORT DE LINTEAU

- 1 Aligner le rail avec la support de linteau.
- 2 Insérer le pivot à travers les trous du rail et du support de linteau. Fixer avec les fixations.
- 3 Faire pivoter l'ouvre-porte vers le haut et s'assurer que l'ouvre-porte est au niveau.

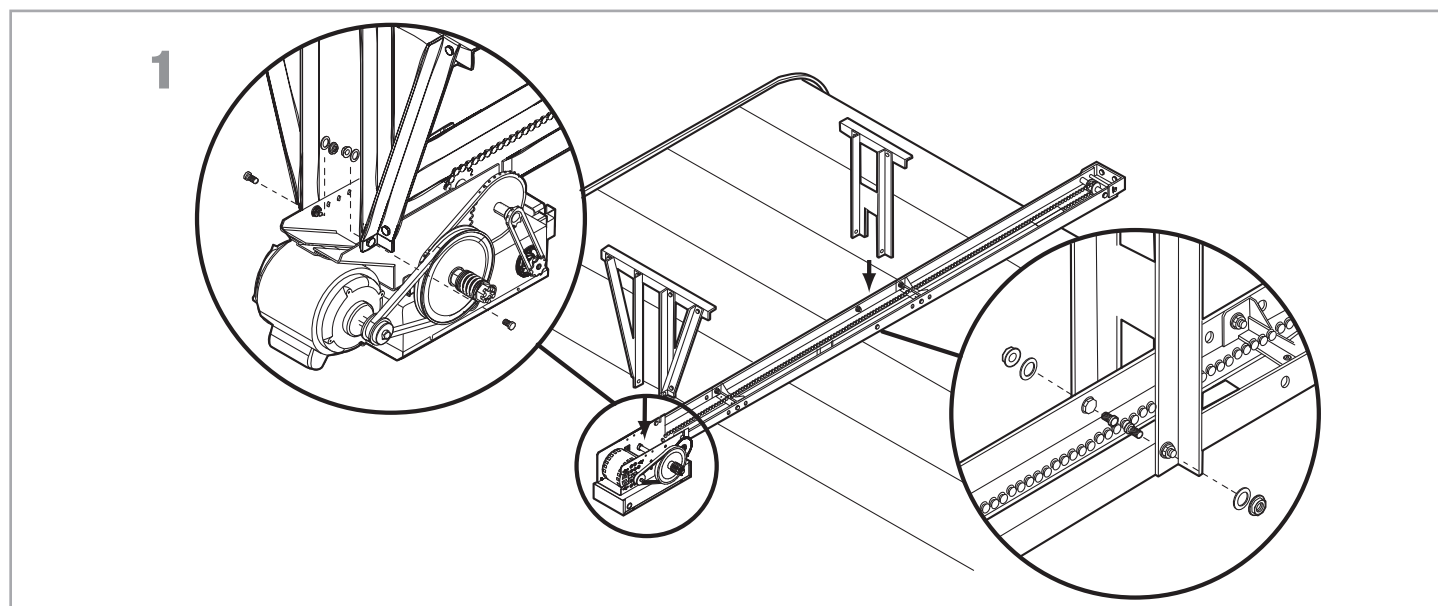


SUSPENDRE L'OUVRE-PORTE

- 1 Fixer l'ouvre-porte à l'aide des fixations et de la quincaillerie de verrouillage appropriées pour supporter le poids de l'ouvre-porte.

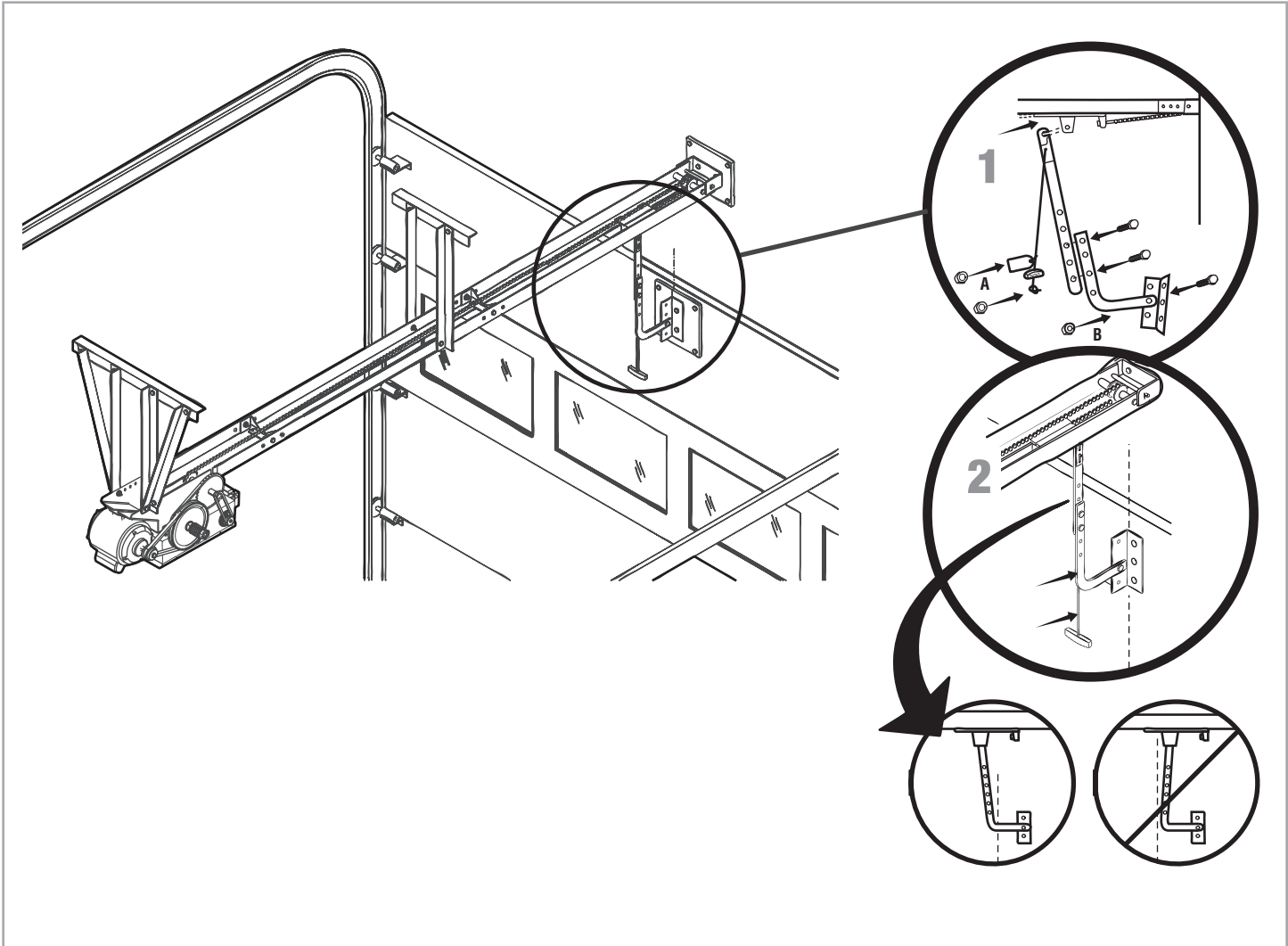
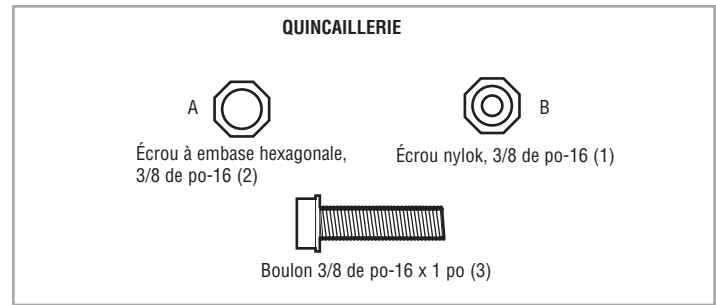
ATTENTION

- Pour éviter une BLESSURE GRAVE possible causée par un ouvre-porte qui tombe :
- Fixer **SOLIDEMENT** l'ouvre-porte aux supports de structure du bâtiment.
 - Des ancrages à béton **DOIVENT** être utilisés si des supports sont installés dans de la maçonnerie.



FIXER LE BRAS DE PORTE

- 1 Verrouiller le bras de porte au chariot. S'assurer que le côté ouvert de l'encoche sur le bras de porte fait face à la porte.
- 2 Placer le support de porte sur la ligne centrale de la porte et fixer le support de porte à la porte à l'aide de la quincaillerie appropriée (non incluse). **REMARQUE :** *Lorsqu'il est correctement installé et ajusté, le bras de porte devrait pencher légèrement à l'arrière vers l'ouvre-porte.* Se référer aux instructions du fabricant de la porte pour les directives d'installation recommandées.



OUVRE-PORTES À PALAN ET À ARBRE SECONDAIRE

CONTENU DE L'EMBALLAGE

Avant de commencer votre installation, vérifier que tous les composants ont été fournis.

DESCRIPTION

Assemblage de la tête motorisée
 Manuel d'instructions et étiquettes de précaution
 Boîte de quincaillerie (comprend les fixations, les entretoises de rail, le chariot, l'assemblage de bras de porte, la poulie libre avant et le support de montage de linteau)
 Station de commande à 3 boutons avec MAS DEL
 Chaîne de manœuvre du palan (Modèles H, HJ et GH SEULEMENT)
 Pignon d'entraînement de porte
 Chaîne d'entraînement de la porte/de l'ouvre-porte

PROTECTION CONTRE LE PIÉGEAGE :

Protection contre le piégeage avec surveillance LiftMaster (LMEP)

Des capteurs photoélectriques et/ou des capteurs d'arrêt contrôlés sont nécessaires pour établir tout contact momentané afin de désactiver les modes d'opération. Consultez les pages 20 et 21 pour de l'information supplémentaire. Pour les options offertes, référez-vous à la section « Dispositifs de protection contre le piégeage » de la page 42.

SPÉCIFICATIONS DE L'OUVRE-PORTE

MOTEUR

TYPE : Service continu

PUISSANCE :

Modèles J, H et HJ 1/3, 1/2, 3/4 et 1 HP

Modèle GH 1/2, 3/4, 1, 1-1/2, 2 et 3 HP

VITESSE : 1725 tr/min

TENSION :

Modèles J, H et HJ 115/230V 1 Phase
 208/230/460/575V 3 Phases

Modèle GH 115/230V 1 Phase
 208/230/460/575V 3 Phases

COURANT (ampérage) :

Modèles H, HJ et J

Tension-Phase	1/3 HP	1/2 HP	3/4 HP	1 HP
115-1Ø, 60Hz	8,5	11,2	13,6	16
230-1Ø, 60Hz	4,2	5,6	6,8	8
208/230-3Ø, 60Hz	3	3,1	4	6
460-3Ø, 60Hz	1,5	1,75	2	3
575-3Ø, 60Hz	1,3	1,4	1,6	1,8

Modèle GH

Tension-Phase	1/2 HP	3/4 HP	1 HP	1-1/2 HP	2 HP	3 HP
115-1Ø, 60Hz	11,2	13,6	16	20	-	-
230-1Ø, 60Hz	5,6	6,8	8	10	-	-
208/230-3Ø, 60Hz	3,1	4	6	7	8	10,6
460-3Ø, 60Hz	1,75	2	3	3,5	4	4,8
575-3Ø, 60Hz	1,4	1,6	1,8	2,75	3	-

ÉLECTRIQUE

TRANSFORMATEUR : 24Vca secondaire

STATION DE COMMANDE : Station NEMA 3 boutons
 Ouvrir/Fermer/Arrêter avec DEL

TYPE DE CÂBLAGE : C2 (Standard)
 Contact momentané pour OUVRIRE et ARRÊTER, pression constante pour FERMER, plus câblage du dispositif de protection contre le piégeage pour inverser la course de la porte et dispositifs auxiliaires pour ouvrir et fermer avec surpassement. Voir page 28 pour types de câblages et modes de fonctionnement en option.

RÉGLAGE DE FIN DE COURSE : Conduite linéaire, cames de type vis entièrement ajustables. Ajustable à 24 pi.

DÉCONNEXION :

Modèle J Déconnexion au niveau du plancher pour fonctionnement manuel de la porte

Modèle H et GH . . Chaîne de palan au niveau du plancher avec verrouillage électrique pour fonctionnement manuel de la porte

Modèle HJ Inclut les deux systèmes de déconnexion au niveau du plancher indiqués ci-dessus

SPÉCIFICATIONS DE L'OUVRE-PORTE

MÉCANIQUE

RÉDUCTION D'ENTRAÎNEMENT :

Modèles J, H et HJ Primaire : Courroie trapézoïdale (5L) renforcée
 Secondaire : Chaîne no 48 pignon;
 Sortie : chaîne no 50

Modèle GH. Primaire : 45:1 pour 1/2, 3/4 et 1 HP
 Réducteur d'embrayage à vis sans fin dans bain d'huile 44:1 pour 1-1/2 et 2 HP
 42:1 pour 3 HP
 Sortie : chaîne no 50

VITESSE DE L'AXE DE SORTIE :

Modèles J, H et HJ 36 tr/min
 Modèle GH. 38,3 pour 1/2, 3/4 et 1 HP
 39,2 pour 1-1/2 et 2 HP
 41,1 pour 3 HP

VITESSE DE LA PORTE :

Modèles J, H et HJ 8-9 par seconde selon la porte
 Modèle GH. 8-9 par seconde selon la porte

FREIN : . . . Frein à disque électromagnétique : Standard sur les modèles GH et GT (offert en option sur les modèles J, H et HJ)

ROULEMENTS Arbre de sortie : Roulement à billes avec flasques
 Arbre d'embrayage : FerCuivre fritté et imprégné d'huile Modèles H et HJ SEULEMENT

ROUE DE CHAÎNE DE MANOEUVRE : . . . Fonctionnement par la gauche ou la droite
 Modèles H et HJ SEULEMENT

ROUE DE PALAN : Montage standard à gauche ou à droite

ZONE DE PORTE MAXIMALE (PI2)

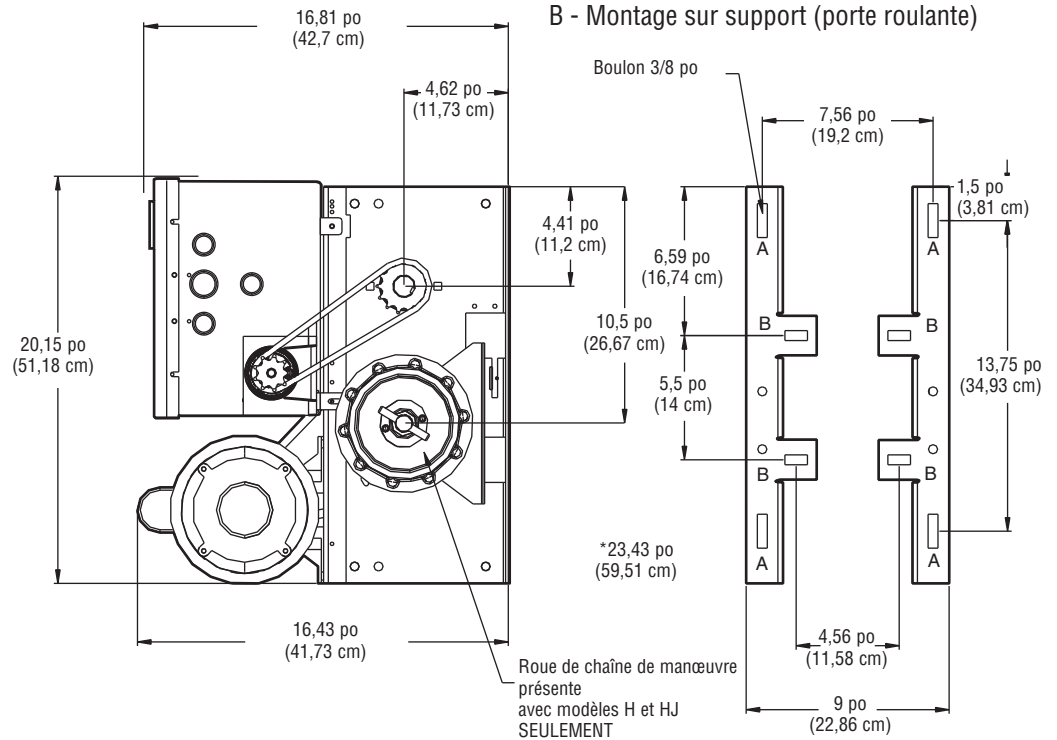
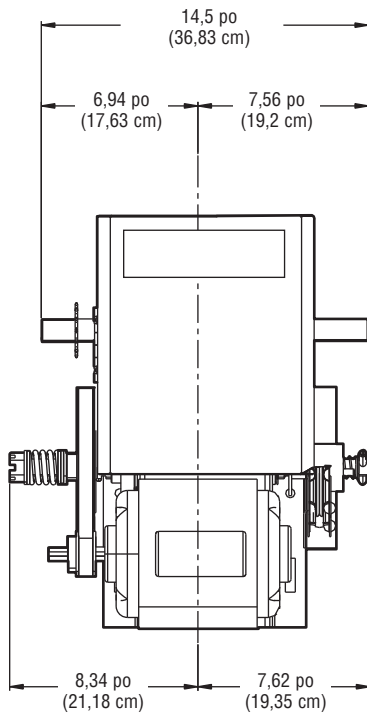
MODÈLES J, H ET HJ						
ROULANT	Acier 24 ga.	Acier 22 ga.	---	Acier 20 ga. 18 ga.	Acier 16 ga.	---
	Alum. Grilles	Portes Alum.	---	Acier Grilles	---	---
SECTIONNEL	---	Acier 24 ga. 22 ga.	Acier 20 ga.	---	Acier 16 ga.	---
	Porte fibre de verre	Portes Alum.	Bois Portes	---	---	---
	---	---	Acier Isol. 24 ga.	---	Acier Isol. 20 ga.	Acier Isol. 16 ga.
1/3 HP	310	285	260	210	175	125
1/2 HP	400	350	320	280	250	200
3/4 HP	560	500	450	380	325	250
1 HP	640	625	560	475	400	310

MODÈLE GH						
ROULANT	Acier 24 ga.	Acier 22 ga.	---	Acier 20 ga. 18 ga.	Acier 16 ga.	---
	Alum. Grilles	Portes Alum.	---	Acier Grilles	---	---
SECTIONNEL	---	Acier 24 ga. 22 ga.	Acier 20 ga.	---	Acier 16 ga.	---
	Porte fibre de verre	Portes Alum.	Bois Portes	---	---	---
	---	---	Acier Isol. 24 ga.	---	Acier Isol. 20 ga.	Acier Isol. 16 ga.
1/2 HP	325	300	275	250	225	175
3/4 HP	480	430	390	340	275	225
1 HP	650	560	500	430	325	300
1-1/2 HP	---	---	680	540	425	375
2 HP	---	---	---	640	560	460
3 HP	---	---	---	875	840	620
5 HP	Appeler pour connaître les spécifications					

POIDS ET DIMENSIONS

MODÈLES J, H ET HJ

Poids suspendu : 80-110 lb.



Hauteur de la porte plus 4 pieds (minimum)

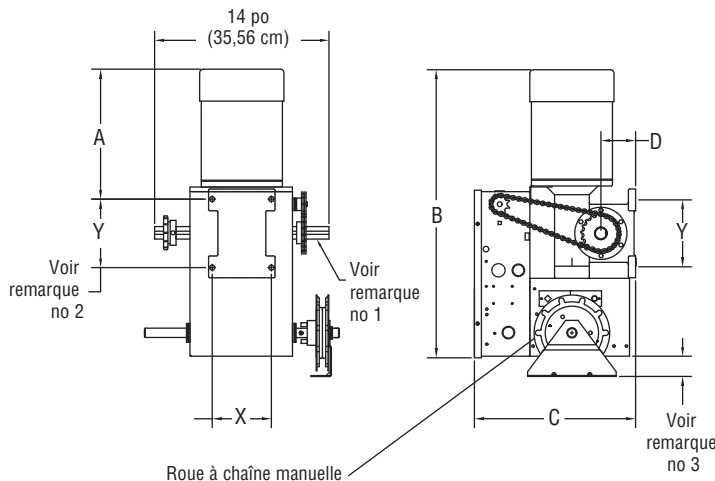
A - Montage mural

B - Montage sur support (porte roulante)

PALAN ET ARBRE SECONDAIRE

MODÈLE GH

Poids suspendu : 140 lb



HP	PHASE	DIMENSIONS			
		A	B	C	D
1/2	1	11-1/2	25-3/4	12-63/64	3
3/4	1	12-1/2	26-3/4	12-63/64	3
1	1	12-3/4	27	12-63/64	3
1-1/2	1	12-3/4	27	13-63/64	3-1/2
1/2	3	11	25-1/4	12-63/64	3
3/4	3	11	25-1/4	12-63/64	3
1	3	12	26-1/4	12-63/64	3
1-1/2	3	12-1/2	26-3/4	13-63/64	3-1/2
2	3	12-3/4	27	13-63/64	3-1/2
3	3	13-1/4	28-5/8	15-15/64	3-15/16

REMARQUES :

- 1) Arbre de sortie avec clé 1 po x 1/4 po pour ouvre-portes 1/2 à 1 HP, clé 1-3/16 po x 5/16 po pour ouvre-portes 1-1/2 et 2 HP, clés 1-1/4 po x 1/4 po pour ouvre-portes 3 HP.
- 2) Centres de montage : X = 4-3/4 po; Y = 5-1/2 po pour ouvre-portes 1/2 à 2 HP.
X = 3-5/8 po; Y = 9-1/16 po pour ouvre-portes 3 HP.
- 3) La roue de chaîne de manœuvre dépasse de 1-5/8 po au-delà de l'ouvre-porte en position de montage vertical comme montré.

ASSEMBLAGE

ASSEMBLAGE DE L'OUVRE-PORTE

Il est essentiel que le mur ou la surface de montage offre un support adéquat pour l'ouvre-porte.

Cette surface doit :

- Être rigide pour empêcher d'avoir du jeu entre l'ouvre-porte et l'arbre de la porte.
- Fournir une base au niveau.
- Permettre de fixer de façon sécuritaire l'ouvre-porte de sorte que l'arbre d'entraînement soit parallèle à l'arbre de la porte.

1 Sélectionner le côté de fonctionnement. Droit (R) ou Gauche (L).

Sur les modèles d'ouvre-porte J, H, HJ et GH, le pignon d'entraînement peut être monté soit sur le côté droit, soit sur le côté gauche.

Pour les modèles H et HJ avec des systèmes de chaîne de manœuvre manuels, le côté de fonctionnement de l'ouvre-porte doit être déterminé au moment de la commande. Le côté de fonctionnement est indiqué par la dernière lettre du numéro de modèle (R ou L). La roue de chaîne de manœuvre ne peut pas être intervertie. Si votre installation fait en sorte que la chaîne de manœuvre pend dans l'ouverture de la porte, accrocher la chaîne au côté près du haut du montant de porte.

AVERTISSEMENT

Pour empêcher une BLESSURE GRAVE ou une MORT possible :

- NE PAS connecter l'alimentation électrique avant d'avoir reçu l'instruction de le faire.
- Si la serrure de porte doit demeurer fonctionnelle, installer un interrupteur de verrouillage.
- TOUJOURS contacter un technicien formé en systèmes de porte si la porte se bloque, colle ou est débalancée. Une porte débalancée peut NE PAS inverser sa course lorsque nécessaire.
- NE JAMAIS essayer de desserrer, déplacer ou ajuster la porte, les ressorts, le câble, les poulies les supports ou leur quincaillerie, qui sont TOUS sous une EXTRÊME tension et qui peuvent causer des BLESSURES PERSONNELLES SÉRIEUSES.
- Désactiver TOUTES les serrures et retirer TOUTES les cordes raccordées à la porte de garage AVANT d'installer et de faire fonctionner l'ouvre-porte afin d'éviter un emmêlement.
- Fixer SOLIDEMENT l'ouvre-porte aux supports de structure du bâtiment.
- Des ancrages à béton DOIVENT être utilisés si des supports sont installés .

INSTALLATION TYPIQUE

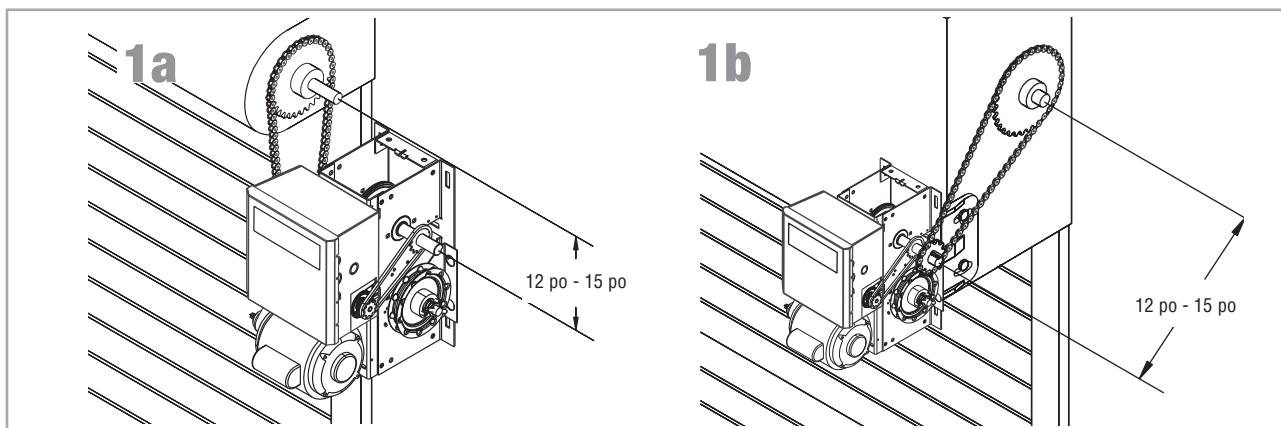
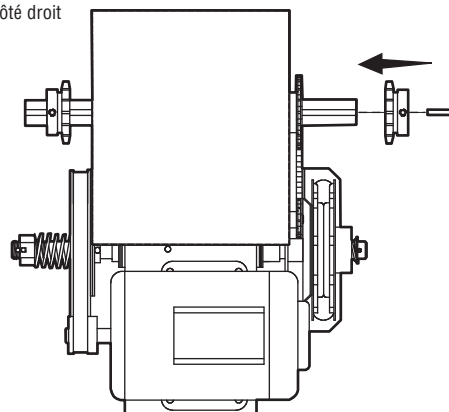
DÉTERMINATION DE L'EMPLACEMENT DE MONTAGE

1 L'ouvre-porte peut être monté au mur, sur une tablette ou un support (non fourni, voir les accessoires). La distance optimale entre l'arbre de la porte et l'arbre d'entraînement de l'ouvre-porte est de 12 à 15 pouces.

1a Montage au mur

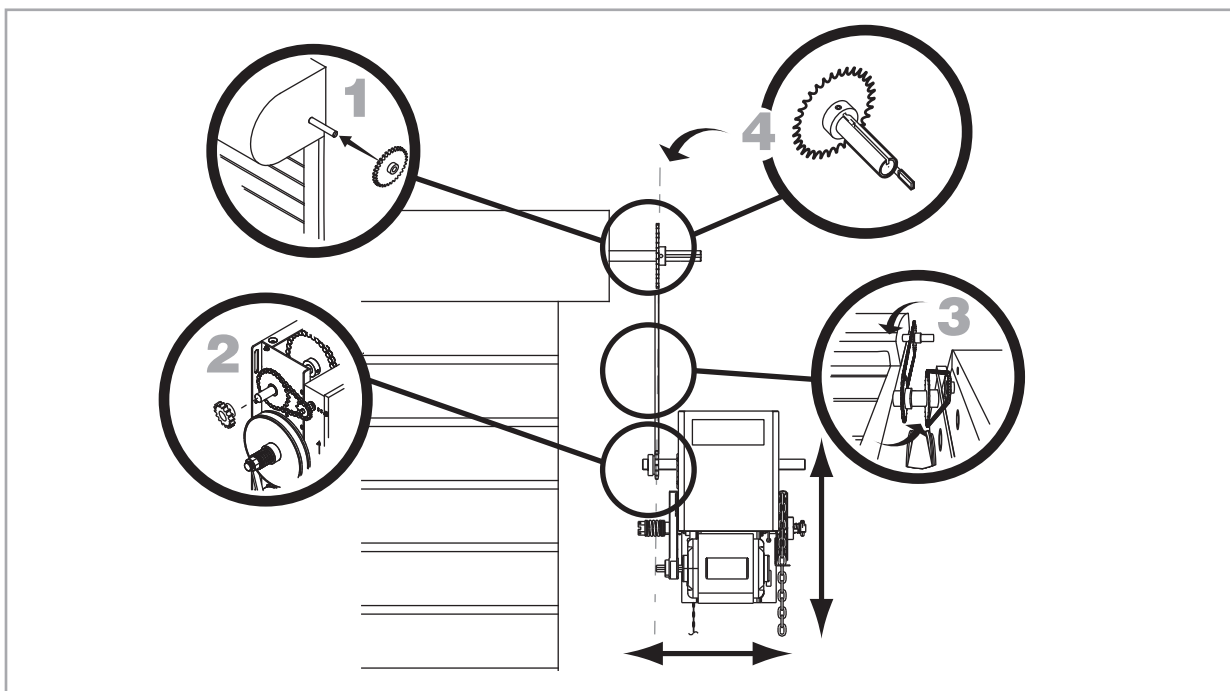
1b Montage sur tablette ou support

EXEMPLE : Côté droit



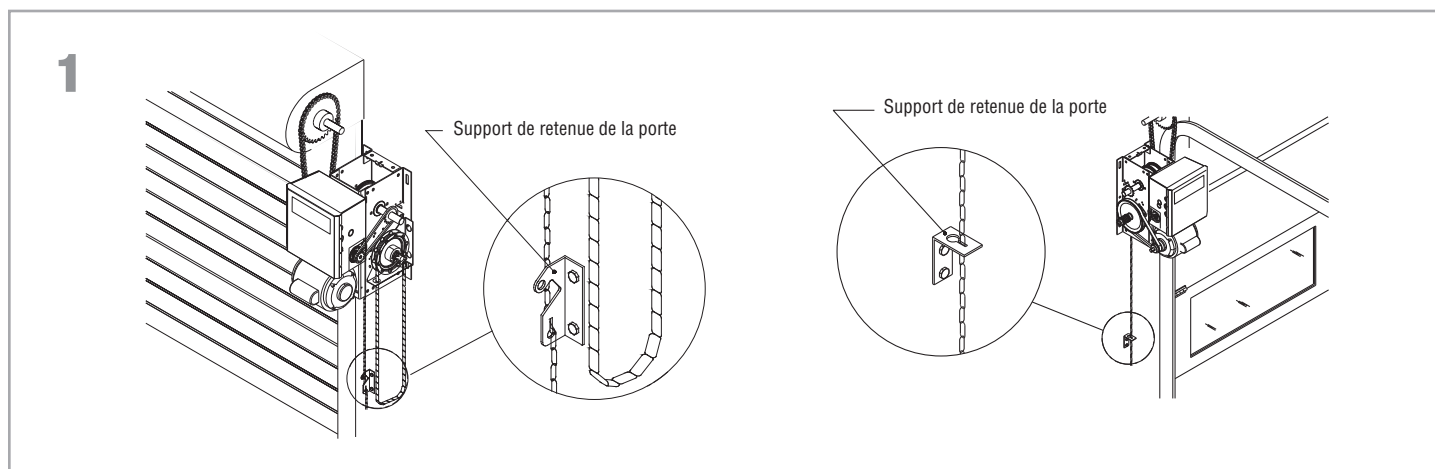
MONTAGE

- 1 Placer le pignon de la porte sur l'arbre de la porte.
- 2 Placer le pignon d'entraînement de l'ouvre-porte du côté approprié de l'ouvre-porte pour votre type d'installation.
- 3 Enrouler la chaîne d'entraînement autour du pignon de porte et du pignon d'entraînement puis la fixer avec la maille maîtresse.
- 4 Aligner la porte et les pignons d'entraînement. Insérer les clés et fixer les pignons avec les vis de serrage. **REMARQUE :** Il est fortement recommandé d'ajouter un adhésif à filet pour fixer les vis de serrage en place.



INSTALLATION DE LA DÉCONNEXION MANUELLE

- 1 Fixer le support de retenue de la porte à 4 pieds au-dessus du plancher.



CÂBLAGE

⚠️ ⚠️ AVERTISSEMENT

Pour réduire le risque de BLESSURES GRAVES ou de MORT:

- AUCUN entretien de l'ouvre-porte ou dans la zone près de l'ouvre-porte NE DOIT être effectué tant que l'alimentation électrique n'est pas déconnectée et qu'elle n'a pas été verrouillée. Lorsque l'entretien est complété, la zone DOIT être libérée et sécurisée, après quoi l'unité peut être remise en fonction.
- Déconnecter l'alimentation au coffret à fusibles AVANT de procéder. L'ouvre-porte DOIT être mis à la terre correctement et connecté conformément aux codes électriques nationaux et locaux. L'ouvre-porte devrait être sur une ligne à fusible séparée d'une capacité adéquate.

- TOUTES les connexions électriques DOIVENT être faites par un individu qualifié.
- N'installer AUCUN câblage et ne pas tenter de faire fonctionner l'ouvre-porte sans d'abord consulter le schéma de câblage.
- TOUT le câblage d'alimentation devrait être sur un circuit dédié et bien protégé. L'emplacement du raccord d'alimentation devrait être visible et clairement étiqueté.
- TOUT le câblage d'alimentation et de commande DOIT être passé dans des conduits séparés.

ALIMENTATION ET MISE À LA TERRE

Le câblage d'alimentation et de commande doit être placé dans des conduits séparés conformément aux codes électriques nationaux et locaux. On doit utiliser du fil 14 QWG ou plus gros pour le câblage d'alimentation. Utiliser les entrées défonçables de conduit pour le câblage comme indiqué sur les étiquettes de la boîte électrique.

- 1 Retirer le couvercle de l'ouvre-porte.
- 2 Faire passer les fils d'alimentation jusqu'à la boîte électrique conformément aux codes électriques nationaux et locaux. SUR APPAREILS À TROIS PHASES SEULEMENT : Une connexion incorrecte des phase de l'alimentation fera en sorte que le moteur tourne dans la mauvaise direction. Pour modifier la rotation du moteur, intervertir les fils d'entrée d'alimentation L1 et L2.
- 3 Fixer les fil d'alimentation et de terre aux terminaux appropriés.
REMARQUE IMPORTANTE : Cet ouvre-porte doit être mis à la terre correctement. Le défaut de mettre à terre correctement l'ouvre-porte pourrait causer un choc électrique et une blessure sérieuse.

TABLEAU DE CÂBLAGE D'ALIMENTATION

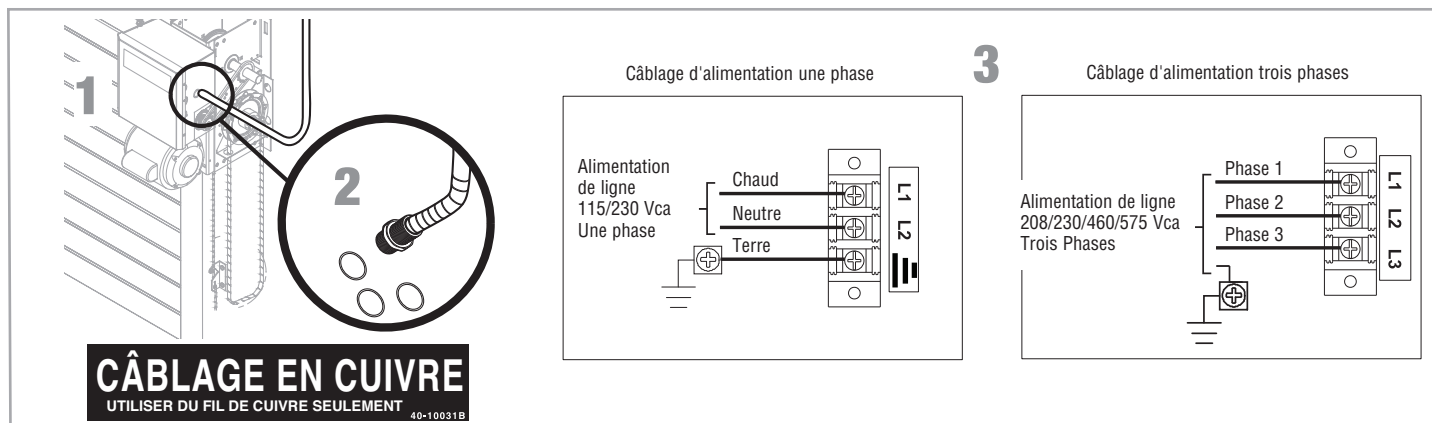
DISTANCE	CALIBRE
50 pieds	14 AWG
100 pieds	12 AWG
200 pieds	8 AWG*
350 pieds	6 AWG*
500 pieds	4 AWG*
1000 pieds	2 AWG*

* Le calibre de fil maximum qui peut être connecté au terminal de l'ouvre-porte est 12 AWG. Lorsqu'un fil de calibre plus gros est nécessaire, le fil doit être réduit à 12 AWG. UTILISER DU FIL DE CUIVRE SEULEMENT.

REMARQUE : Dans certaines installations, comme une installation à travers un mur, la rotation du moteur et la carte logique peuvent devoir être modifiés.

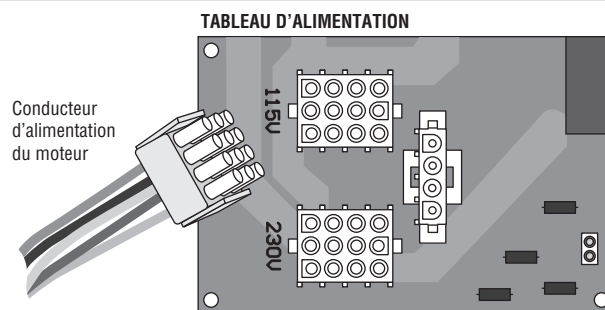
1. Localiser le cavalier de DIRECTION DU MOTEUR sur la carte logique. Retirer le cavalier et le relocaliser de STD à REV.
2. Relocaliser l'interrupteur de fin de course de sécurité (SLS) sur le côté opposé.
3. Retirer la décalcomanie CLOSE/OPEN (OUVRIR/FERMER) et replacer de façon appropriée.

CÂBLAGE



SÉLECTION DU CONDUCTEUR D'ALIMENTATION DU MOTEUR

- 1 Localiser le conducteur d'alimentation du moteur muni d'une prise de courant.
- 2 Sur le TABLEAU D'ALIMENTATION, repérez le contenant qui convient à la tension composée entrante. Retirez l'étiquette et insérez complètement le câble d'alimentation du moteur jusqu'à ce qu'il soit maintenu en place et verrouillé.



STATION DE COMMANDE

AVERTISSEMENT

Pour empêcher une BLESSURE GRAVE ou une MORT possible par électrocution :

- S'assurer que l'alimentation N'EST PAS connectée AVANT d'installer la commande de porte.

Pour empêcher une BLESSURE GRAVE ou une MORT possible à cause d'une porte qui se ferme :

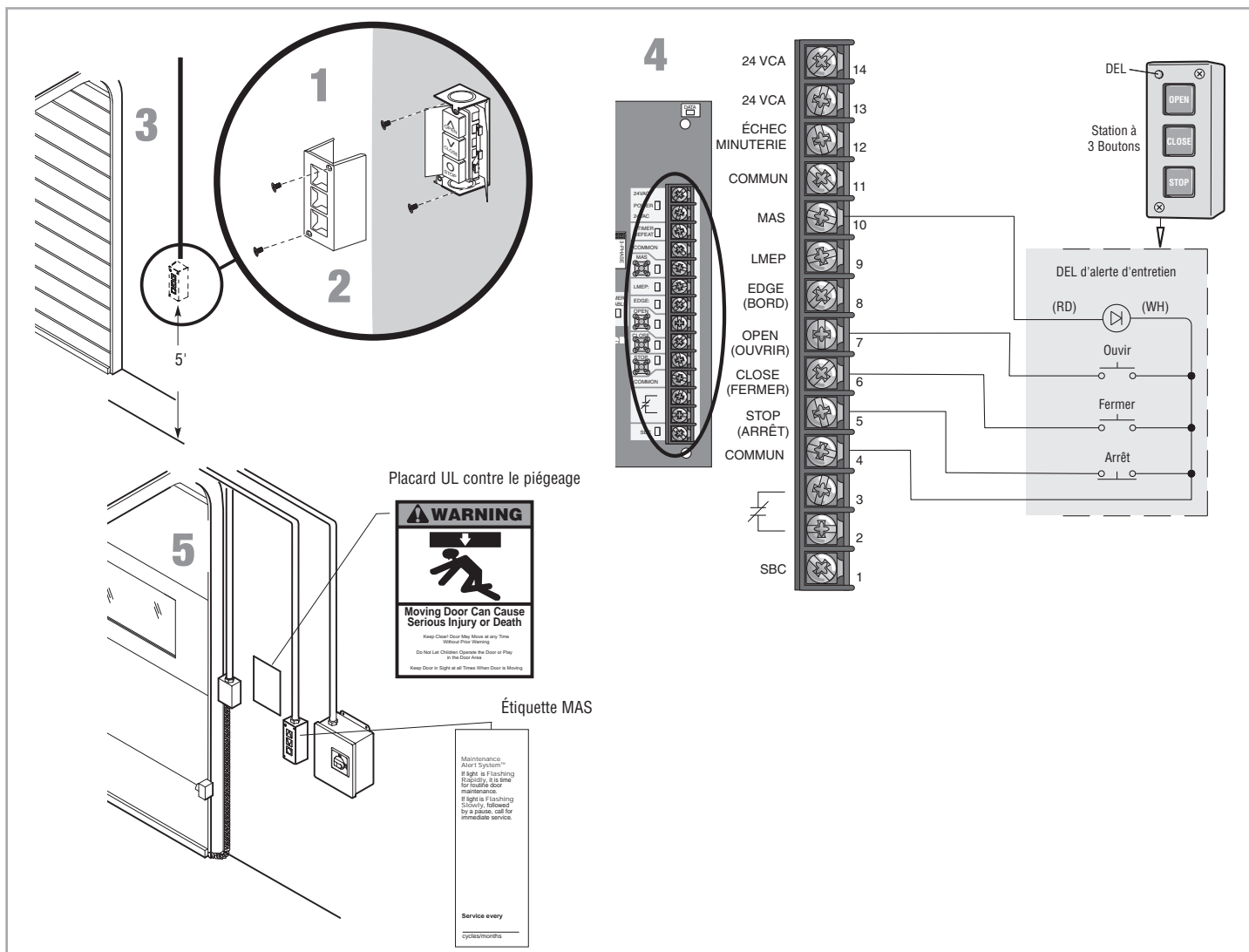
- Installer la commande de porte en vue de la porte, hors de portée des enfants à une hauteur minimale de 5 pieds (1,5 m) et loin de TOUTE partie mobile de la porte.
- Installer la station de commande suffisamment loin de la porte afin d'éviter à l'utilisateur d'entrer en contact avec celle-ci lors de l'utilisation des commandes.

- Installer le placard d'avertissement contre le piégeage sur le mur adjacent à la station de commande sur un emplacement parfaitement visible depuis la porte.
- NE JAMAIS permettre aux enfants de faire fonctionner ou de jouer avec les boutons poussoirs de la commande de porte ou avec les télécommandes.
- Activer la porte SEULEMENT lorsqu'elle peut être vue clairement, qu'elle est correctement ajustée et qu'il n'y a aucune obstruction au déplacement de la porte.
- TOUJOURS garder la porte en vue jusqu'à ce qu'elle soit entièrement fermée. NE JAMAIS permettre à quelqu'un de se trouver dans la trajectoire de la porte qui se ferme.

REMARQUE : Le câblage du circuit de commande à basse tension nécessite un fil isolé, 20 AWG ou plus. Se référer à la page arrière pour de l'information supplémentaire sur le câblage de commande.

- 1 Retirer le couvercle de la station de commande,
- 2 Fixer la station de commande au mur à au moins 5 pieds au-dessus du sol. **La surface d'installation doit être lisse et plate.** Fixer l'étiquette MAS au côté de la station de commande.

- 3 Sélectionner l'entrée défonçable appropriée et faire passer les fils jusqu'à l'ouvre-porte.
- 4 Connecter les fils à la station de commande et replacer le couvercle de la station de commande.
- 5 Fixer le placard d'avertissement contre le piégeage à côté de la station de commande.



CÂBLAGE

PROTECTION CONTRE LE PIÉGEAGE

PROTECTION CONTRE LE PIÉGEAGE AVEC SURVEILLANCE LIFTMASTER (LMEP)

RENSEIGNEMENTS IMPORTANTS AU SUJET DES DISPOSITIFS DE PROTECTION CONTRE LE PIÉGEAGE AVEC SURVEILLANCE LIFTMASTER

Un dispositif de protection contre le piégeage avec surveillance LiftMaster (LMEP) est nécessaire pour la plupart des types de câblage (se référer à la page 28). Si un dispositif de protection contre le piégeage avec surveillance LiftMaster n'est pas installé, une pression constante pour fermer sera requise de la station de commande.

Référez-vous à la page des accessoires pour une liste complète des dispositifs de protection contre le piégeage.

AVERTISSEMENT

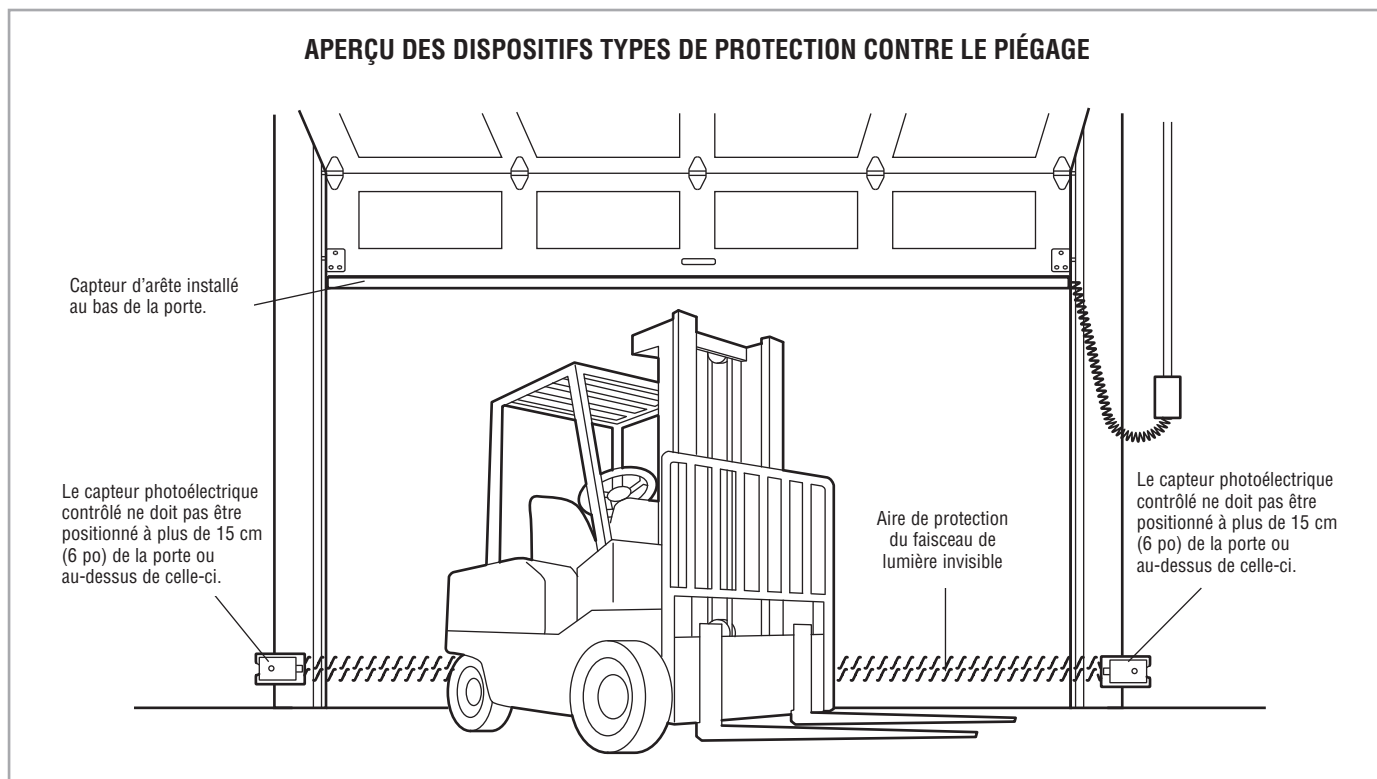
Pour empêcher une BLESSURE GRAVE ou une MORT possible à cause d'une porte qui se ferme :

- S'assurer que l'alimentation N'EST PAS connectée à l'ouvre-porte AVANT d'installer le capteur photoélectrique.
- La porte DOIT être en position entièrement ouverte ou fermée AVANT d'installer le dispositif de Protection contre le piégeage avec surveillance LiftMaster.

Pour éviter une BLESSURE GRAVE, la MORT, le PIÉGEAGE ou un DOMMAGE À LA PROPRIÉTÉ :

- Connecter et aligner correctement le capteur photoélectrique.
- Installer le faisceau du capteur photoélectrique PAS PLUS HAUT que 6 po (15 cm) au-dessus du plancher.
- Il s'agit d'un dispositif de protection contre le piégeage requis pour les câblages de type B2, TS, T et FSTS et QUI NE DOIT PAS être désactivé. Pour les câblages de type D1, C2 et E2, l'installation d'un dispositif de protection contre le piégeage est recommandée.
- Les dispositifs de de Protection contre le piégeage avec surveillance LiftMaster sont pour utilisation avec les ouvre-portes commerciaux LiftMaster SEULEMENT. L'utilisation de TOUT autre produit annule la garantie.
- Si un capteur de chant est utilisé sur une porte à glissière horizontale, alors placer un capteur de chant ou plus sur le chant avant et sur le chant arrière.
- Si un capteur d'arête est utilisé sur une porte coulissante verticale, vous devrez installer un ou plusieurs capteurs sur le bord inférieur de la porte.

APERÇU DES DISPOSITIFS TYPES DE PROTECTION CONTRE LE PIÉGEAGE



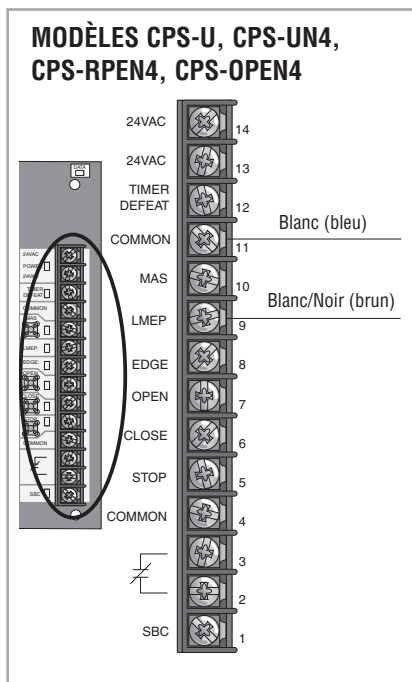
INSTALLATION DES DISPOSITIFS DE PROTECTION CONTRE LE PIÉGEAGE AVEC SURVEILLANCE LIFTMASTER (LMEP) (FACULTATIVE)

Référez-vous toujours aux directives d'installation incluses avec votre dispositif de protection contre le piégeage LiftMaster (LMEP). Sans un dispositif de protection contre le piégeage correctement installé, l'actionneur ne fonctionnera qu'avec une pression constante pour désactiver le mode de fonctionnement.

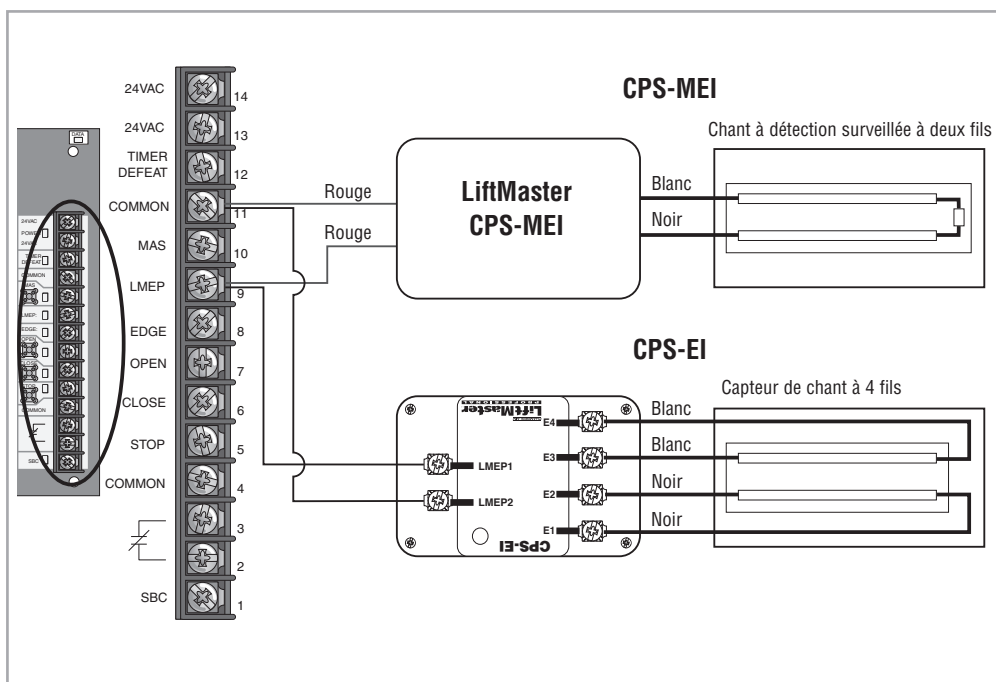
CÂBLAGE DES DISPOSITIFS DE PROTECTION CONTRE LE PIÉGEAGE AVEC SURVEILLANCE LIFTMASTER (LMEP)

- 1 Connecter le dispositif de Protection contre le piégeage avec surveillance LiftMaster (LMEP) à la carte logique selon les modèles montrés ci-dessous :

CAPTEUR PHOTOÉLECTRIQUE CONTRÔLÉ



CAPTEUR D'ARÊTE CONTRÔLÉ



REMARQUE : Un seul dispositif de protection contre le piégeage peut être relié à la carte logique. Une carte CPS3CARD (facultative) est requise pour brancher un dispositif LMEP supplémentaire. Des dispositifs de protection contre le piégeage secondaires (non contrôlés et sans contact sec) seront branchés aux terminaux câblés aux capteurs d'ARÊTE et aux terminaux PARTAGÉS.

INSTRUCTIONS DE SÉCURITÉ IMPORTANTES

AVERTISSEMENT

POUR RÉDUIRE LE RISQUE DE BLESSURES GRAVES, VOIRE MORTELLES :

1. LIRE ET SUIVRE TOUS LES AVERTISSEMENTS ET TOUTES LES INSTRUCTONS
2. TOUJOURS garder les télécommandes hors de portée des enfants. NE JAMAIS permettre aux enfants de faire fonctionner ou de jouer avec les boutons poussoirs de la commande de porte ou avec les télécommandes.
3. Activer la porte SEULEMENT lorsqu'elle peut être vue clairement, qu'elle est correctement ajustée et qu'il n'y a aucune obstruction au déplacement de la porte.
4. Le personnel devrait se tenir éloigné de la porte en mouvement et TOUJOURS garder la porte en vue jusqu'à ce qu'elle soit complètement fermée. PERSONNE NE DEVIENNE CROISER LE PARCOURS DE LA PORTE EN MOUVEMENT.
5. PERSONNE NE DEVIENNE ALLER SOUS UNE PORTE ARRÊTÉE, PARTIELLEMENT OUVERTE.
6. Si possible, utiliser la poignée de dégagement pour désengager la porte SEULEMENT lorsque la porte est FERMÉE. Des ressorts fiables ou brisés ou une porte non balancée pourraient faire en sorte qu'une porte ouverte tombe rapidement ou subitement causant une BLESSURE GRAVE ou la MORT.
7. NE JAMAIS utiliser la poignée de dégagement manuelle à moins que l'embrasure de la porte soit libre de toute personne ou obstruction.
8. Après avoir effectué TOUT ajustement, le dispositif de protection contre le piégeage DOIT être testé. Le défaut d'ajuster l'ouvre-porte correctement peut causer une BLESSURE GRAVE ou la MORT.
9. Le dispositif de protection contre le piégeage DOIT être testé chaque mois. Le défaut d'ajuster l'ouvre-porte correctement peut causer une BLESSURE GRAVE ou la MORT.
10. TOUJOURS CONSERVER LA PORTE CORRECTEMENT ÉQUILIBRÉE. Une porte mal équilibrée peut NE PAS inverser sa course en cas de besoin et peut être à l'origine de BLESSURES GRAVES, VOIRE MORTELLES. Consulter le Manuel d'instructions du fabricant de la porte.
11. TOUTES les réparations aux câbles, ensembles de ressort et autres ferrures de montage DOIVENT être confiées à un technicien formé en systèmes de porte.
12. TOUJOURS déconnecter l'alimentation électrique à l'ouvre-porte AVANT de faire une réparation ou de retirer les couvercles.
13. **CONSERVER CES INSTRUCTIONS.**

RÉGLAGE DE FIN DE COURSE

- 1 Commencer avec la porte en position entièrement fermée pour configurer le réglage de fin de course à la FERMETURE.
- 2 Appuyer sur la plaque de retenue (1) et déplacer l'écrou de fin de course aux limites de FERMETURE (2).

REMARQUE : Les DEL de l'interrupteur de fin de course de fermeture (CLS) et de l'interrupteur de fin de course de sécurité (SLS) sur la carte logique s'allument lorsque les interrupteurs sont activés et que l'alimentation est en fonction.

- 3 Lorsque la plaque de retenue est dégagée, vérifier que celle-ci est entièrement placée dans les encoches des écrous de fin de course.
- 4 Ouvrir la porte à la position entièrement ouverte et configurer le réglage de fin de course à l'OUVERTURE (3).

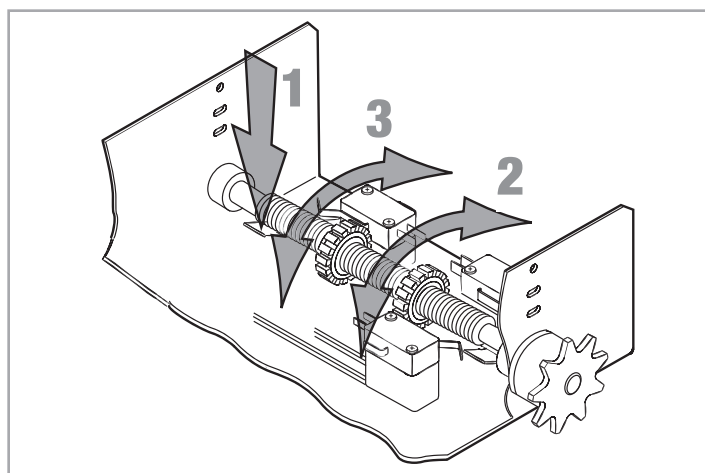
REMARQUE : Le DEL de l'interrupteur de fin de course d'ouverture (OLS) sur la carte logique s'allume lorsque les interrupteurs sont activés et que l'alimentation est en fonction.

- 5 Lorsque la plaque de retenue est dégagée, vérifier que celle-ci est entièrement placée dans les encoches des écrous de fin de course.

AVERTISSEMENT

Pour éviter des BLESSURES personnelles SÉRIEUSES ou la MORT par électrocution :

- Déconnecter l'alimentation électrique AVANT d'effectuer TOUT ajustement ou entretien.



RÉGLAGE DE L'EMBRAYAGE (MODÈLES D'OUVRE-PORTES À COURROIE D'ENTRAÎNEMENT)

- 1 Retirer la goupille fendue de l'écrou d'embrayage sur l'arbre d'embrayage.
- 2 Tourner l'écrou d'embrayage pour relâcher la tension.
- 3 Resserrer l'écrou d'embrayage jusqu'à ce qu'il y a juste assez de tension pour permettre le fonctionnement en douceur de la porte et pour permettre à l'embrayage de glisser si la porte est obstruée.
- 4 Fixer l'écrou d'embrayage avec la goupille fendue.

AJUSTEMENT DE L'EMBRAYAGE LIMITEUR DE COUPLE (MODÈLE GT)

- 1 Desserrer les vis de serrage de l'écrou d'ajustement de couple sur l'engrenage démultiplicateur.
- 2 Reculer l'écrou de couple jusqu'à ce qu'il y ait très peu de tension sur les rondelles Belleville.
- 3 Resserrer graduellement l'écrou de couple jusqu'à ce qu'il y ait juste assez de tension pour permettre à l'ouvre-porte de faire fonctionner la porte en douceur durant un cycle d'ouverture/fermeture complet, mais pour permettre au démultiplicateur de glisser si la porte est obstruée.
- 4 Resserrer la vis de serrage qui est directement au-dessus de la portion plate de l'arbre.

MODÈLE GH (MODIFICATION OPTIONNELLE)

- 1 Desserrer les vis de serrage sur l'écrou de l'embrayage.
- 2 Reculer l'écrou de l'embrayage jusqu'à ce qu'il y ait très peu de tension sur le ressort d'embrayage.
- 3 Resserrer l'écrou d'embrayage graduellement jusqu'à ce qu'il y ait juste assez de tension pour permettre à l'ouvre-porte de faire fonctionner la porte en douceur et pour permettre à l'embrayage de glisser si la porte est obstruée. Lorsque l'embrayage est correctement ajusté, il devrait généralement être possible d'arrêter la porte à la main durant son parcours.

SYSTÈME D'INVERSEMENT AUXILIAIRE / CAPTEUR DE TR/MIN

Le **Système d'inversement auxiliaire** est conçu pour protéger la porte et l'ouvre-porte motorisé. Celui-ci NE PEUT se substituer à un dispositif de protection contre le piégeage.

Caractéristique : Cette caractéristique utilise le capteur de régime du moteur connecté à la carte logique pour détecter quand l'embrayage glisse et inverse la course de la porte (l'embrayage doit être correctement ajusté). De plus, le régime du moteur élimine le besoin d'un interrupteur centrifuge sur les moteurs à une phase.

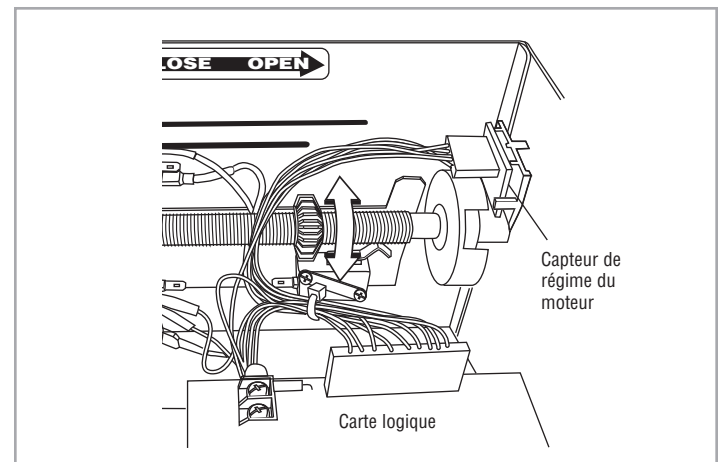
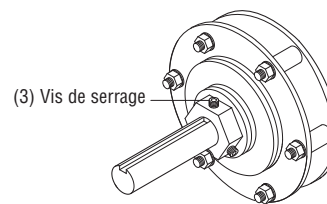
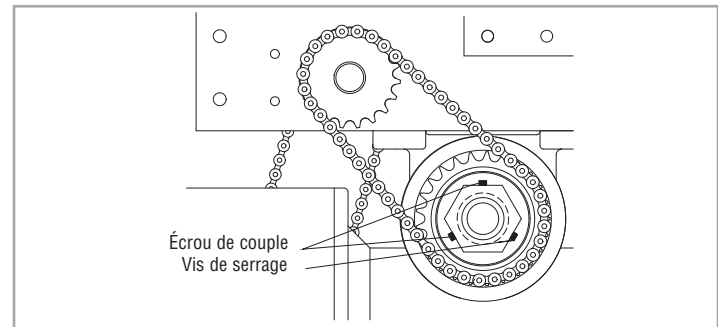
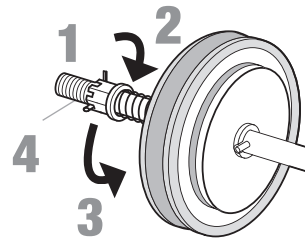
Avantage : Le Système d'inversement auxiliaire inverse l'ouvre-porte lorsqu'il bloque sur une obstruction, ce qui empêche les dommages excessifs à la porte et à l'ouvre-porte. Le modèle UL325 exige l'utilisation de dispositifs de protection contre le piégeage comme méthode primaire de protection. La cause principale des pannes de moteur monophasé est éliminée lorsque l'interrupteur à force centrifuge est retiré. (Le système d'inversion de sécurité ne s'applique pas aux modèles GH à moins qu'une modification de l'embrayage soit installée.)

REMARQUE : Cette fonction est apprise automatiquement et ne nécessite aucune programmation.

AVERTISSEMENT

Pour éviter des BLESSURES personnelles SÉRIEUSES ou la MORT par électrocution :

- Déconnecter l'alimentation électrique AVANT d'effectuer TOUT ajustement ou entretien.



TEST

Appliquer l'alimentation à l'ouvre-porte.

Lorsque l'alimentation est appliquée à l'ouvre-porte, les DEL suivantes s'allument : STOP (arrêt), CLOSE (fermer), OPEN (ouvrir), LMEP, 24 Vca, RADIO, DATA (données), TIMER ENABLE (permettre minuterie), OLS (inter. fin course ouvert), MID (mi-course), SLS (inter. fin course sécurité), CLS (inter. fin course fermé) et MAS (système d'alerte entretien). Lorsque le processus de démarrage est complété (environ 2 à 3 secondes), seules les DEL appropriées continueront d'être allumées :

- Entre les fins de course : 24 Vca et STOP (arrêt)
- En position entièrement fermée : 24 Vca, STOP (arrêt), Interrupteur de fin de course de fermeture (CLS) et Interrupteur de fin de course de sécurité (SLS)
- En position entièrement ouverte : 24 Vca, STOP (arrêt) et Interrupteur de fin de course d'ouverture (OLS)

Des DEL supplémentaires s'allumeront lorsqu'un ou plusieurs dispositifs sont activés.

REMARQUE : Lorsque le processus de démarrage est terminé, la DEL MAS clignotera un code indiquant la version du micrologiciel. Si le cadran de réglage est en position DIAG, OPTN, ou PROG, le MAS ne fournira pas ce code. Après que le code ait été fourni, la DEL MAS s'éteindra.

TEST DES CAPTEURS PHOTOÉLECTRIQUES (S'IL Y A LIEU)

1. Ouvrir la porte.
2. Placer une obstruction dans le chemin des capteurs photoélectriques.
Le voyant lumineux DEL du dispositif de protection contre le piégeage clignotera sur la carte logique.
3. Appuyer et tenir le bouton CLOSE (Fermer). La porte ne devrait pas se fermer.
4. Retirer l'obstruction.
5. Appuyer et tenir le bouton CLOSE (Fermer). La porte devrait se fermer.
Si le dispositif de protection contre le piégeage est activé pendant la fermeture de la porte, celle-ci devrait se mettre en marche arrière.

TESTER LES CAPTEURS DE CHANT (S'IL Y A LIEU)

1. Ouvrir la porte.
2. Placer un obstacle dans la trajectoire de la porte en mouvement.
3. Appuyer et tenir le bouton CLOSE (Fermer). La porte devrait s'arrêter et/ou inverser sa course.
4. Retirer l'obstacle et appuyer sur le bouton de fermeture. La porte devrait se fermer complètement.

REMARQUE : La carte logique Logic 5 programme automatiquement le dispositif de protection contre le piégeage une fois qu'il est branché correctement. Si le dispositif de protection contre le piégeage est mal aligné, activé ou débranché, le voyant DEL du tableau de commande correspondant à ce dispositif de protection contre le piégeage clignotera. Vous pouvez fermer la porte en entrant en mode Fermeture restreinte (RC) en tenant le bouton de fermeture. L'ouvre-porte commencera à fermer après 5 secondes et continuera à fermer jusqu'à la fin de course de fermeture ou lorsque le bouton de fermeture est relâché.



AVERTISSEMENT

Pour éviter des BLESSURES personnelles SÉRIEUSES ou la MORT :

- Déconnecter l'alimentation électrique AVANT d'effectuer TOUT ajustement ou entretien.
- TOUT entretien DOIT être effectué par un technicien formé en systèmes de porte.

Pour déprogrammer le dispositif de protection contre le piégeage, placez le cadran à la position DIAG, puis pressez et maintenez enfoncé le bouton d'arrêt jusqu'à ce que le voyant MAS DEL clignote. Sans un dispositif de protection contre le piégeage branché, seuls les modes de fonctionnement B2, D1 ou E2 seront disponibles.

TEST DE LA STATION DE COMMANDE À 3 BOUTONS

1. Appuyer sur le bouton OPEN (Ouvrir). (La porte devrait se déplacer dans la direction d'ouverture.)
2. Appuyer sur le bouton STOP (Arrêter). (La porte devrait s'arrêter.)
3. Appuyer et tenir le bouton CLOSE (Fermer). (La porte devrait se déplacer dans la direction de fermeture.)
4. Relâcher le bouton CLOSE (Fermer) La porte devrait s'arrêter si elle est en mode C2 ou D1. La porte s'inversera en position entièrement ouverte si en mode E2. La porte devrait continuer à se fermer dans tous les autres modes.
5. Appuyer sur le bouton STOP (Arrêter). (La porte devrait s'arrêter.)

TEST DU RÉGLAGE DE FIN DE COURSE

1. Appuyer sur le bouton OPEN (Ouvrir) (La porte devrait s'ouvrir.)
2. Permet à la porte d'ouvrir entièrement.
3. Appuyer et tenir le bouton CLOSE (Fermer). (La porte devrait se fermer.)
4. Permet à la porte de se fermer entièrement.
5. Si les fins de course ne sont pas configurées correctement, supprimer l'alimentation et ajuster les fins de course (se référer à la section de réglage de fin de course).

REMARQUES IMPORTANTES :

- Assurez-vous de lire et de comprendre toutes les instructions de sécurité comprises dans ce manuel.
- Assurez-vous que le propriétaire ou la(les) personne(s) responsable(s) du fonctionnement de la porte aient lu et comprennent les instructions de sécurité, qu'ils sachent comment faire fonctionner électriquement la porte d'une manière sécuritaire et qu'ils sachent comment déconnecter manuellement la porte de l'ouvre-porte.

DÉGAGEMENT MANUEL

SYSTÈME DE DÉCONNEXION D'URGENCE MODÈLES GT ET T

POUR DÉCONNECTER LA PORTE DE L'OUVRE-PORTE

La porte devrait être en position entièrement fermée si possible.

- 1 Tirer la poignée de dégagement d'urgence droit vers le bas. La déconnexion d'urgence s'ouvre.

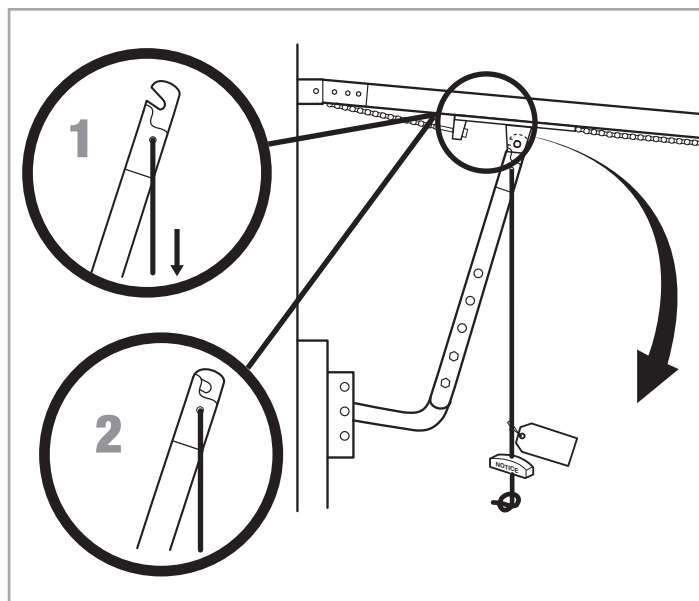
POUR RECONNECTER LE BRAS DE PORTE AU CHARIOT

- 2 Lever le bout libre du bras de porte vers le chariot. Tirer la poignée de dégagement d'urgence pour permettre au bras d'engager la goupille cylindrique. Relâcher la poignée. La déconnexion d'urgence se ferme.

⚠ AVERTISSEMENT

Pour empêcher une BLESSURE GRAVE ou une MORT possible à cause d'une porte ou d'un bras qui tombe :

- NE PAS se tenir debout sous le bras de porte lorsqu'on tire le dégagement d'urgence.
- Si possible, utiliser la poignée de dégagement d'urgence pour désengager le chariot SEULEMENT lorsque la porte est FERMÉE. Des ressorts fiables ou brisés ou une porte non balancée pourraient faire en sorte qu'une porte ouverte tombe rapidement ou subitement.
- NE JAMAIS utiliser la poignée de dégagement manuelle à moins que l'embrasure de la porte soit libre de toute personne ou obstruction.



SYSTÈME DE DÉCONNEXION D'URGENCE MODÈLE APT

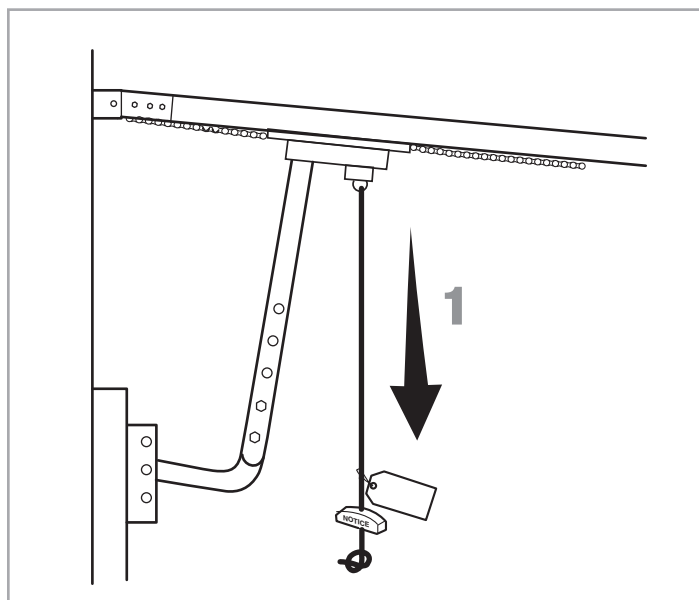
POUR DÉCONNECTER LA PORTE DE L'OUVRE-PORTE

La porte devrait être en position entièrement fermée si possible.

- 1 Tirer la poignée de dégagement d'urgence et lever ou baisser la porte manuellement.

POUR RECONNECTER LE BRAS DE PORTE AU CHARIOT

- 2 Le chariot se reconnectera lors de la prochaine opération UP ou DOWN, soit manuellement ou en utilisant la commande de porte ou la télécommande.



SYSTÈME DE DÉCONNEXION EN CAS D'URGENCE MODÈLES H, GH, J ET HJ

Cet ouvre-porte permet de faire fonctionner la porte manuellement en cas d'urgence ou de panne d'électricité. Se référer aux instructions appropriées ci-dessous pour votre modèle d'ouvre-porte.

MODÈLES H ET GH

Ces ouvre-portes sont munis d'un palan manuel. Un verrouillage électrique désactive les commandes électriques lorsque le palan est utilisé. Pour utiliser le palan :

- 1 Tirer la chaîne de déconnexion pour engager le mécanisme de palan. La chaîne de déconnexion peut être verrouillée en position en glissant le bout à travers le trou du garde-chaîne monté au mur.
- 2 Faire fonctionner la porte dans la direction désirée en tirant un côté ou l'autre de la chaîne de palan à boucle continue.
- 3 La chaîne de déconnexion doit être dégager du garde-chaîne avant que la porte puisse fonctionner de nouveau de façon électrique.

MODÈLE J

Cet ouvre-porte dispose d'une chaîne de déconnexion au niveau du plancher pour déconnecter la porte de l'ouvre-porte.

- 1 Pour désengager, tirer la chaîne de déconnexion (chaîne à châssis) et fixer en position désengagée en glissant le bout à travers le support à trou monté au mur.
- 2 La porte peut maintenant être poussée vers le haut ou le bas manuellement.
- 3 Relâcher la chaîne de déconnexion pour faire fonctionner de nouveau la porte de façon électrique.

MODÈLE HJ

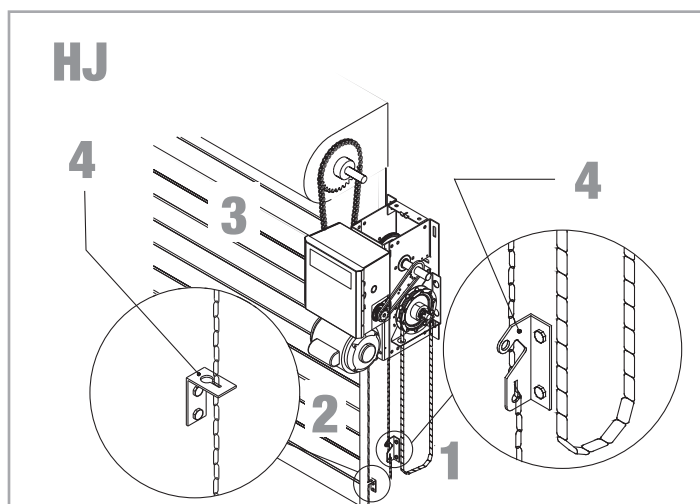
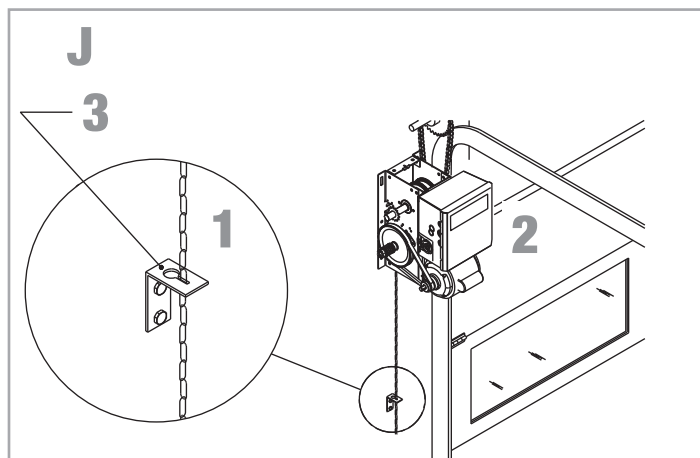
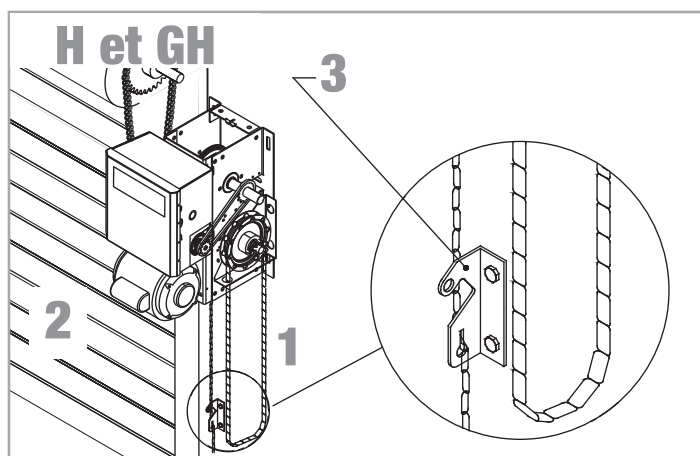
Cet ouvre-porte comprend une chaîne de déconnexion au niveau du plancher (chaîne à châssis) pour déconnecter la porte de l'ouvre-porte et une chaîne de déconnexion avec un palan manuel pour désactiver électriquement les commandes de l'ouvre-porte.

- 1 Tirer la chaîne de déconnexion pour engager le mécanisme de palan. La chaîne de déconnexion peut être verrouillée en position en glissant le bout à travers le trou du garde-chaîne monté au mur.
- 2 Pour désengager, tirer la chaîne de déconnexion et fixer en position désengagée en glissant le bout à travers le support à trou monté au mur.
- 3 Faire fonctionner la porte dans la direction désirée en tirant un côté ou l'autre de la chaîne de palan à boucle continue.
- 4 Relâcher la chaîne de déconnexion pour faire fonctionner de nouveau la porte de façon électrique.

ATTENTION

Pour empêcher une BLESSURE GRAVE possible causée par une chaîne en mouvement :

- DÉCONNECTER l'alimentation électrique à l'ouvre-porte AVANT de faire fonctionner votre porte manuellement.
- Si possible, utiliser la poignée la déconnexion d'urgence SEULEMENT lorsque la porte est FERMÉE. Des ressorts fiables ou brisés ou une porte non équilibrée pourraient faire en sorte qu'une porte ouverte tombe rapidement ou subitement.
- NE JAMAIS utiliser la déconnexion d'urgence à moins que l'embrasure de la porte soit libre de toute personne ou obstruction.



PROGRAMMATION

INTRODUCTION À LA PROGRAMMATION

Plusieurs fonctions programmables exigent qu'un dispositif de Protection contre le piégeage LiftMaster (LMEP) soit installé pour fonctionner. Se référer à la section *Protection contre le piégeage*.

Avant de programmer la carte logique, configurer les fins de course d'ouverture et de fermeture de l'ouvre-porte. Des DEL sont disponibles sur la carte logique pour aider à configurer les fins de course. Chaque fois qu'une fin de course est activée, la DEL correspondante s'allume. Les abréviations sont Interrupteur de fin de course d'ouverture (OLS), Interrupteur de fin de course de fermeture (CLS) et Interrupteur de fin de course de sécurité (SLS). Se référer à la page 19 pour les instructions de configuration d'interrupteurs de fin de course.

Lorsque l'alimentation est appliquée à l'ouvre-porte, les DEL suivantes s'allument : STOP (arrêt), CLOSE (fermer), OPEN (ouvrir), LMEP, 24 Vca, RADIO, DATA (données), TIMER ENABLE (permettre minuterie), OLS (inter. fin course ouvert), MID (mi-course), SLS (inter. fin course sécurité), CLS (inter. fin course fermé) et MAS (système d'alerte entretien). Lorsque le processus de démarrage est complété (environ 2 à 3 secondes), seules les DEL appropriées continueront d'être allumées : (p.ex., STOP (arrêt), 24Vcc, DEL de fin de course si celles-ci sont activées).

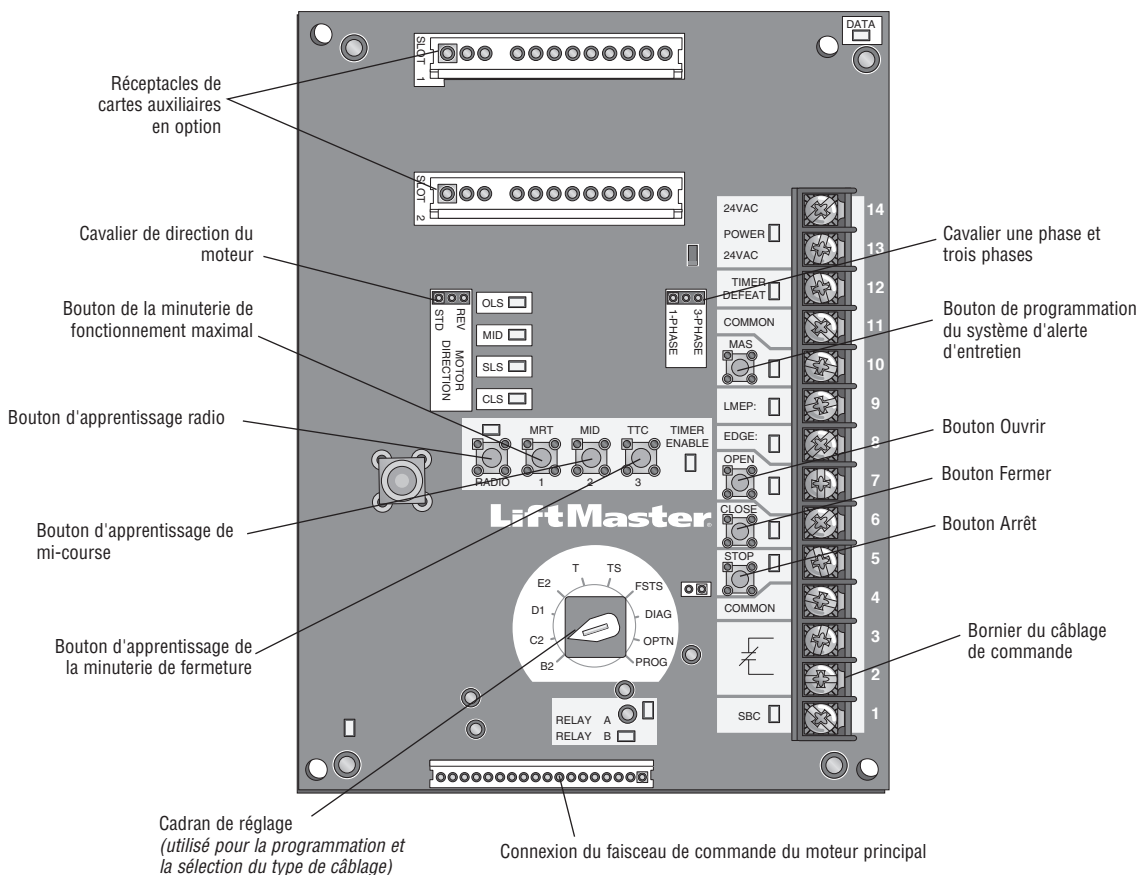
REMARQUE : Lorsque le processus de démarrage est terminé, la DEL MAS clignotera un code indiquant la version du micrologiciel. Si le cadran de réglage est en position DIAG, OPTN, ou PROG, le MAS ne fournira pas ce code. Après que le code ait été fourni, la DEL MAS s'éteindra.

BOUTON-POUSOIRS DE LA CARTE LOGIQUE (OPEN (OUVRIR), CLOSE (FERMER), STOP (ARRÊT))

Les boutons OPEN (ouvrir), CLOSE (fermer), STOP (arrêt) sont montés directement sur la carte logique. Ceci facilite la programmation et permet d'avoir la commande de porte à la boîte électrique.

La commande d'arrêt ou un cavalier DOIT être connecté entre les bornes 4 et 5 pour que les boutons-poussoirs sur la carte fonctionnent.

VUE D'ENSEMBLE DE LA CARTE LOGIQUE



DÉTERMINATION ET CONFIGURATION DU TYPE DE CÂBLAGE

Lire les descriptions des différents types de câblage pour déterminer quelle configuration sera correcte pour chaque application. Lorsque le type de câblage est déterminé, configurer le cadran de réglage en conséquence.

UN DISPOSITIF DE PROTECTION CONTRE LE PIÉGEAGE AVEC SURVEILLANCE LIFTMASTER (LMEP) EST NÉCESSAIRE

Un dispositif de Protection contre le piégeage LiftMaster (LMEP) est **nécessaire** pour les types de câblage suivants.

B2 Contact momentané pour ouvrir, fermer et arrêter, plus câblage au dispositif capteur pour inverser et dispositifs auxiliaires pour ouvrir et fermer avec surpassement d'ouverture. Arrêt mi-course programmable disponible avec ce type de câblage. **Compatible avec Station 3 boutons, station 1 bouton et télécommande 3 boutons.**

TS (Minuterie sécurisée)

Ce mode tentera de fermer la porte à partir de toute position exceptée lorsqu'entièrement fermée, ou lorsqu'une entrée de sécurité est présente. Le bouton d'arrêt ne désactive pas la minuterie de fermeture quelle que soit la position. Pour désactiver la minuterie de fermeture dans ce mode, l'installation d'un interrupteur d'échec est nécessaire (voir schéma de câblage).

Contact momentané pour ouvrir, fermer et arrêter, avec surpassement d'ouverture et minuterie de fermeture. Chaque dispositif qui fait en sorte que la porte s'ouvre, incluant un dispositif d'inversement, active la minuterie de fermeture. Les commandes auxiliaires peuvent être connectées à l'entrée d'ouverture pour activer la minuterie de fermeture. Si la minuterie a été activée, le bouton d'ouverture et la commande radio peuvent recycler la minuterie. La minuterie de fermeture fonctionnera à partir de la mi-course programmable avec ce type de câblage. **Compatible avec Station 3 boutons, station 1 bouton et télécommande 1 et 3 boutons.**

REMARQUE : Un « mode concessionnaire automobile » programmable disponible.

T Contact momentané pour ouvrir, fermer et arrêter, avec surpassement d'ouverture et minuterie de fermeture. Chaque dispositif qui fait ouvrir la porte, excepté tout dispositif d'entrée de chant de sécurité, active la minuterie de fermeture. Les commandes auxiliaires peuvent être connectées à l'entrée d'ouverture pour activer la minuterie de fermeture. Si la minuterie de fermeture a été activée, le bouton ouvrir et la commande radio peuvent recycler la minuterie. Le bouton d'arrêt désactivera la minuterie jusqu'à la prochaine entrée de commande. La minuterie de fermeture fonctionnera à partir de la mi-course programmable avec ce type de câblage.

Compatible avec Station 3 boutons, station 1 bouton et télécommande 1 et 3 boutons.

REMARQUE : « Mode concessionnaire automobile » programmable disponible.

FSTS Bouton momentané pour programmation ouvrir, fermer et arrêter. L'utilisateur configure l'arrêt de mi-course. L'utilisateur configure la minuterie de fermeture. La station à 1 bouton ouvre la porte jusqu'à la fin de course entièrement ouvert surpassant la mi-course et active la minuterie de fermeture, mettant l'ouvre-porte en mode TS jusqu'à ce que la porte atteigne la fin de course du bas ou qu'elle soit arrêtée dans sa course. À ce moment, l'ouvre-porte entre en mode B2.

Compatible avec Station 3 boutons, station 1 bouton et télécommande 1 et 3 boutons. Une télécommande 1 bouton en mode FSTS ouvrira seulement avec la minuterie de fermeture, surpassant un arrêt à mi-course programmé. La minuterie de fermeture se réinitialisera et s'inversera lors de la fermeture.

UN DISPOSITIF DE PROTECTION CONTRE LE PIÉGEAGE AVEC SURVEILLANCE LIFTMASTER (LMEP) EST RECOMMANDÉ

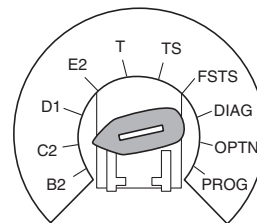
Un dispositif de Protection contre le piégeage LiftMaster (LMEP) est recommandé pour les types de câblage suivants.

C2 Contact momentané pour ouvrir et arrêter, avec pression constante pour fermer, surpassement d'ouverture, plus câblage au dispositif capteur pour inverser. Arrêt mi-course programmable disponible avec ce type de câblage. **Compatible avec Station 3 boutons et station 1 bouton.**

E2 Contact momentané pour ouvrir surpassement avec surpassement et pression constante pour fermer. Relâcher le bouton de fermeture fera inverser la porte (caractéristique retour en arrière) plus câblage pour dispositif capteur pour inverser. **Compatible avec station 3 boutons.**

D1 Pression constante pour ouvrir et fermer avec câblage à dispositif capteur pour arrêter. **Compatible avec station 2 ou 3 boutons.**

CADRAN DE RÉGLAGE



REMARQUES IMPORTANTES :

1. Des verrouillages externes peuvent être utilisés avec tous les modes fonctionnels.
2. Les dispositifs auxiliaires sont tout dispositifs qui ont seulement des contacts secs. Exemples : capteur de boucle, capteurs pneumatiques ou électriques, commandes radio, stations à un bouton, cordons de tirage, etc.
3. Surpassement d'ouverture signifie que la porte peut être inversée lors de sa fermeture en activant un dispositif d'ouverture sans avoir à utiliser d'abord le bouton d'arrêt.
4. Lorsque la porte est en position d'arrêt sans être toutefois complètement fermée, et qu'un dispositif de protection contre le piégeage ou un capteur d'ARÊTE est activé, le dispositif de Fermeture restreinte (RC) permettra une commande de fermeture lorsque le bouton de fermeture est pressé et tenu. L'ouvre-porte commencera à se fermer après 5 secondes. Si le bouton de fermeture est relâché, la porte s'arrête.
En mode E2, la porte se déplacera jusqu'à la position entièrement ouverte.

PROGRAMMATION DES TÉLÉCOMMANDES

AVERTISSEMENT

Pour empêcher une BLESSURE GRAVE ou une MORT possible :

- Installer un dispositif de Protection contre le piégeage avec surveillance LiftMaster (LMEP).
- NE JAMAIS permettre aux enfants de faire fonctionner ou de jouer avec les boutons poussoirs de la commande de porte ou avec les télécommandes.

- Activer la porte SEULEMENT lorsqu'elle peut être vue clairement, qu'elle est correctement ajustée et qu'il n'y a aucune obstruction au déplacement de la porte.
- TOUJOURS garder la porte en vue jusqu'à ce qu'elle soit entièrement fermée. NE JAMAIS permettre à quiconque de croiser la trajectoire d'une porte qui se ferme.

Le récepteur radio à 3 canaux Security+ 2.0^{MC} vous permet de programmer jusqu'à 90 télécommandes et jusqu'à 30 dispositifs d'entrée en clé. **REMARQUE** : La programmation suivante nécessite un dispositif de Protection contre le piégeage avec surveillance LiftMaster (LMEP).

TÉLÉCOMMANDE STANDARD

1. Pour commencer la programmation, appuyer et relâcher la bouton RADIO sur la carte logique (la DEL RADIO s'allume).
2. Appuyer et tenir le bouton de la télécommande jusqu'à ce que la DEL RADIO clignote rapidement, puis relâcher la bouton de la télécommande. La DEL RADIO demeurera allumée lorsque le bouton sera relâché. Répéter pour ajouter des télécommandes additionnelles.
3. Appuyer et relâcher le bouton RADIO pour compléter la programmation. Le mode de programmation RADIO se désactive si aucune activité ne se déroule dans un délai de 30 secondes. Les boutons DEL MAS et RADIO clignoteront brièvement pour indiquer que le mode de programmation de la carte RADIO est désactivé pour les télécommandes et les dispositifs d'entrée sans clé. La carte RADIO demeurera en mode de programmation pour 150 secondes supplémentaires afin d'accommoder les dispositifs MyQ^{MD} et s'éteindra entièrement si aucune activité n'est décelée.

TÉLÉCOMMANDE À UN BOUTON PROGRAMMÉE COMME UNE COMMANDE À UN BOUTON (SBC)

Cette fonction programme une télécommande comme commande à un bouton sans fil. Cette fonction fonctionne dans les modes suivants :

En mode B2, le fonctionnement est OUVRIR/ARRÊTER/FERMER/INVERSER/ARRÊTER.

En modes T et TS, le fonctionnement est OUVRIR/ARRÊTER/FERMER/INVERSER/ARRÊTER ET minuterie de fermeture démarrer/rafraîchir. **REMARQUE** : Si le mode concessionnaire automobile est activé, SBS sera ouvert seulement lors d'un arrêt à l'ouverture mi-course.

En mode FSTS, le fonctionnement est OUVERT avec minuterie de fermeture démarrer/rafraîchie seulement, surpassant un Ouvrir à mi-course programmé.

1. Appuyer et relâcher le bouton RADIO sur la carte logique (la DEL RADIO s'allume).
2. Pressez et relâchez le bouton SBC branché à l'extérieur ou le bouton TTC de la carte logique (le bouton DEL RADIO clignotera rapidement, puis se stabilisera).
3. Appuyer et tenir le bouton de la télécommande jusqu'à ce que la DEL RADIO clignote rapidement. La DEL RADIO demeurera allumée lorsque le bouton sera relâché.
4. Appuyer et lâcher le bouton RADIO sur la carte logique (la DEL RADIO clignote rapidement puis s'éteint). Le mode de programmation est quitté si aucune activité n'est effectuée durant 30 secondes. Les boutons DEL MAS et RADIO clignoteront brièvement pour indiquer que le mode de programmation de la carte RADIO est désactivé pour les télécommandes et les dispositifs d'entrée sans clé. La carte RADIO demeurera en mode de programmation pour

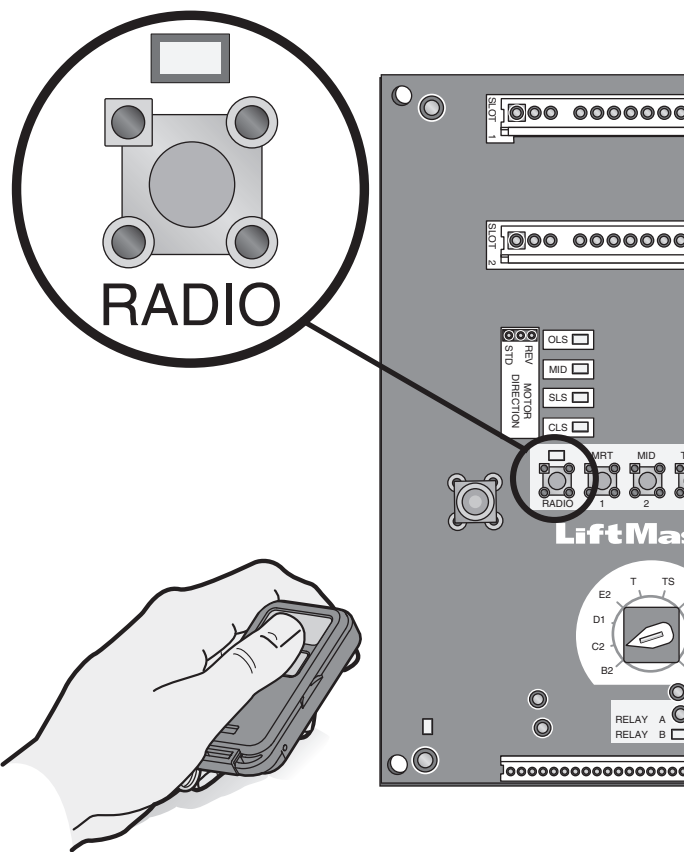
150 secondes supplémentaires afin d'accommoder les dispositifs MyQ^{MD} et s'éteindra entièrement si aucune activité n'est décelée.

REMARQUE : La télécommande à un bouton n'est pas supportée avec les mode de câblage D1 et E2. Le mode C2 effectuera seulement une ouverture et une fermeture lors de l'ouverture.

EFFACEMENT DES TÉLÉCOMMANDES

Appuyer et tenir le bouton RADIO sur la carte logique jusqu'à ce que la DEL RADIO clignote rapidement (environ 5 secondes). Toutes les télécommandes seront effacées.

AVIS : Pour ce conformer aux règlements de la FCC ou d'Industrie Canada (IC), l'ajustement ou les modifications à ce récepteur et/ou à ce transmetteur sont prohibées. IL N'Y A PAS D'AUTRES PIÈCES POUVANT ÊTRE RÉPARÉES PAR L'UTILISATEUR. Tout changement ou toute modification non expressément approuvé par la partie responsable de la conformité peut avoir pour résultat d'annuler l'autorité de l'utilisateur de faire fonctionner l'équipement. Cet appareil est conforme aux dispositions de la partie 15 du règlement de la FCC et de l'norme IC RSS-210. Le fonctionnement est sujet aux deux conditions suivantes : (1) ce dispositif ne peut pas causer d'interférences nuisibles, et (2) ce dispositif doit accepter toute interférence reçue, incluant les interférences qui pourrait causer un fonctionnement non désiré. Cet appareil numérique de la classe B est conforme à la norme NMB-003 du Canada. L'appareil doit être installé d'une façon où un minimum de 8 pouces (20 cm) est maintenu entre l'utilisateur/le passant et l'appareil lui-même.



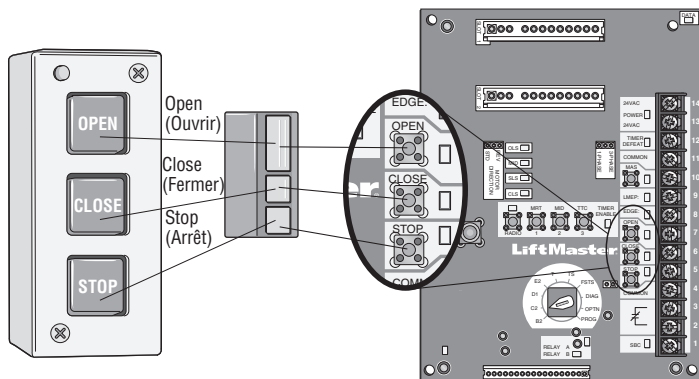
PROGRAMMATION DES TÉLÉCOMMANDES

REMARQUE : La programmation suivante nécessite un dispositif de Protection contre le piégeage avec surveillance LiftMaster (LMEP).

Votre télécommande Security+ 2.0^{MC} ou DIP programmable peut être programmée pour fonctionner comme station de commande sans fil à 3 boutons : le gros bouton ouvrira la porte, le bouton du milieu fermera la porte et le troisième bouton arrêtera le mouvement de la porte. Vous pouvez configurer cette fonctionnalité de la façon suivante :

1. Pour commencer la programmation, appuyer et relâcher le bouton RADIO sur la carte logique (la DEL RADIO s'allume).
2. Pour programmer le bouton OPEN (ouvrir) à une télécommande, appuyer et relâcher le bouton OPEN (ouvrir) sur la carte logique. La DEL RADIO clignote puis demeure allumée. Ensuite appuyer sur le bouton correspondant de la télécommande. La DEL RADIO sur la carte logique clignote, ceci confirme qu'elle a été programmée. (En programmant la télécommande vous utilisez 1 canal des 90 canaux sur le récepteur radio.)
3. Pour programmer le bouton CLOSE (fermer) à une télécommande, appuyer et relâcher le bouton CLOSE (fermer) sur la carte logique. La DEL RADIO clignote puis demeure allumée. Ensuite appuyer sur le bouton correspondant de la télécommande. La DEL RADIO sur la carte logique clignote, ceci confirme qu'elle a été programmée. (En programmant la télécommande vous utilisez 1 canal des 90 canaux sur le récepteur radio.)
4. Pour programmer le bouton STOP (arrêt) à une télécommande, appuyer et relâcher le bouton STOP (arrêt) sur la carte logique. La DEL RADIO clignote puis demeure allumée. Ensuite appuyer sur le bouton correspondant de la télécommande. La DEL RADIO sur la carte logique clignote, ceci confirme qu'elle a été programmée. (En programmant la télécommande vous utilisez 1 canal des 90 canaux sur le récepteur radio.)
5. Après l'apprentissage des télécommande appuyer sur le bouton RADIO sur la carte logique (la DEL RADIO s'éteint).

REMARQUE : Si aucune activité n'est détectée dans un délai de 30 secondes, les boutons DEL MAS et RADIO clignoteront brièvement pour indiquer que le mode de programmation de la carte RADIO est désactivé pour les télécommandes et les dispositifs d'entrée sans clé. La RADIO demeurera en mode de programmation pour 150 secondes supplémentaires pour les dispositifs MyQ^{MD} et se s'éteindra entièrement sans activité.



FONCTION DE PROGRAMMATION DE LA TÉLÉCOMMANDE

Programmation de télécommandes à partir de la station de commande à 3 boutons (3BCS).

Cette fonction permet à l'utilisateur d'ajouter des télécommandes supplémentaires à partir du 3BCS. Par défaut, l'option d'apprentissage de télécommande est hors fonction. **REMARQUE :** Requiert l'accès à la boîte électrique de l'ouvre-porte pour activer ou désactiver cette fonction.

Pour activer cette fonction :

1. Tourner le CADRAN DE RÉGLAGE à PROG.
2. Appuyer et relâcher le bouton RADIO. La DEL RADIO s'allume.
3. Appuyer et relâcher le bouton MID. La DEL RADIO clignote rapidement 6 fois.
4. Appuyer et relâcher le bouton RADIO. La DEL RADIO s'éteint.
5. Ramener le CADRAN DE réglage au type de câblage désiré.

Pour ajouter des télécommandes à partir du 3BCS :

1. La porte étant en position entièrement fermée (fin de course de fermeture activée), appuyer et tenir STOP (arrêt).
2. Tout en tenant STOP (arrêt), appuyer et tenir CLOSE (fermer).
3. Tout en tenant STOP (arrêt) et CLOSE (fermer), appuyer et tenir OPEN (ouvrir).
4. Relâcher les trois boutons une fois que la DEL MAS s'est allumée.
5. Apprendre une télécommande par une des méthodes suivantes :
 - a. Programmation **d'une télécommande standard à un bouton/une fonction**, appuyer et tenir le bouton de la télécommande jusqu'à ce que la DEL MAS s'éteigne. Répéter les étapes 1 à 4 pour ajouter des télécommandes supplémentaires.
 - b. Programmation d'une **télécommande 3 boutons/trois fonctions (OUVRIR/FERMER/ARRÊT)**, appuyer d'abord sur le bouton du 3BCS (Exemple : OPEN (ouvrir)) puis appuyer et tenir le bouton sur la télécommande (Exemple : le gros bouton) que vous désirez correspondre à la commande sélectionnée (Exemple : OPEN (ouvrir)) jusqu'à ce que la DEL MAS clignote et s'éteigne. Répéter les étapes 1 à 4 pour ajouter des boutons supplémentaires (FERMER ET ARRÊT).

Pour désactiver cette fonction :

1. Tourner le CADRAN DE RÉGLAGE à PROG.
2. Appuyer et relâcher le bouton RADIO. La DEL RADIO s'allume.
3. Appuyer et relâcher le bouton MRT. La DEL RADIO clignote rapidement 3 fois.
4. Appuyer et relâcher le bouton RADIO. La DEL RADIO s'éteint.
5. Ramener le CADRAN DE RÉGLAGE au type de câblage désiré.

REMARQUE : Restaurer l'ouvre-porte aux valeurs d'usine par défaut (voir RESTAURATION DES VALEURS D'USINE PAR DÉFAUT) désactivera aussi cette fonction. Les télécommandes seront encore apprises.

PROGRAMMATION DES DISPOSITIFS MYQ^{MD} (FACULTATIVE)

Pour programmer les dispositifs MyQ :

1. Pour accéder au mode de programmation, appuyez sur le bouton RADIO de la carte logique (le bouton DEL RADIO clignotera).
2. Pour programmer le dispositif MyQ, placez-le en mode de programmation (consultez les instructions relatives au dispositif MyQ en question).
3. Lorsque la programmation est terminée, le bouton DEL RADIO s'éteindra.

REMARQUE : Si la programmation n'est pas terminée à l'intérieur d'un délai de 3 minutes, le mode de programmation sera désactivé et le bouton DEL RADIO s'éteindra.

Pour supprimer tous les dispositifs MyQ :

1. Pressez et relâchez sur le bouton RADIO de la carte logique (le voyant lumineux DEL RADIO clignotera).

2. Pressez et maintenez enfoncé le bouton MAS pendant 5 secondes. Le bouton DEL RADIO clignotera pendant approximativement 5 secondes, puis s'éteindra.

Tous les dispositifs MyQ sont maintenant supprimés.

Pour supprimer un dispositif MyQ :

1. Consultez les instructions relatives au dispositif MyQ pour effacer la programmation.
2. Lorsque la suppression est terminée, le dispositif MyQ sera effacé du mode de fonctionnement. L'actionneur ne nécessite aucune reprogrammation pour supprimer le dispositif MyQ.

REMARQUE : Mettez l'actionneur sous tension pour supprimer l'opération.

SYSTÈME D'ALERTE D'ENTRETIEN (MAS)

Caractéristique : Un compteur de cycles interne activera une DEL clignotante sur la station de commande à 3 boutons lorsque le nombre prédéfini de cycles ou de mois sera écoulé (selon l'option qui se produit la première). Configurer cette fonction est optionnel. Par défaut, cette fonction ne s'active jamais. Les ouvre-portes Logic 4 incorporent un dispositif d'auto-diagnostic dans la DEL du MAS. En plus d'indiquer quand l'entretien de routine est dû, la DEL MAS peut être utilisée pour dépanner certaines problèmes de l'ouvre-porte.

Avantage : Le Système d'alerte d'entretien (MAS) aide le revendeur-installateur à établir un programme d'entretien de routine. Une fois programmé, le MAS avise l'utilisateur final (avec une DEL clignotante sur la station à 3 boutons) lorsqu'un nombre prédéfini de cycles/mois est écoulé et que l'entretien prévu est dû.

Pour programmer :

1. Fermer la porte.
2. Tourner le cadran de réglage à PROGRAM.
3. Appuyer et relâcher le bouton MAS SET.
4. Appuyer sur le bouton STOP (arrêt) une fois pour vider la mémoire MAS.
5. Appuyer sur le bouton OPEN (ouvrir) une fois pour chaque incrément de 5000 cycles. Appuyer sur le bouton CLOSE (fermer) une fois pour chaque incrément de 3 mois.
6. Appuyer et relâcher le bouton MAS pour compléter la programmation. La DEL sur la carte clignotera les réglages programmés. La DEL OPEN (ouvrir) clignotera une fois pour chaque 5000 cycles. La DEL CLOSE (fermer) clignotera une fois pour chaque 3 mois.
7. Ramener le cadran de réglage au type de câblage désiré.

REMARQUE : Si la DEL MAS clignote 2 clignotements ou plus de suite suivis d'une pause, une erreur de l'ouvre-porte s'est produite. Tourner à la page 35 pour diagnostiquer le problème.

Exemple : Une porte est installée avec des ressorts 30 000 cycles et dispose d'un contrat de service annuel. Pour configurer le MAS, tourner le cadran de réglage à PROGRAM, appuyer sur le bouton MAS, appuyer le bouton STOP (arrêt) pour vider la mémoire puis appuyer sur le bouton OPEN (ouvrir) 6 fois (30 000 cycles) et CLOSE (FERMER) 4 fois (12 mois). Appuyer sur MAS de nouveau pour compléter la programmation. Ramener le cadran de réglage au type de câblage désiré.

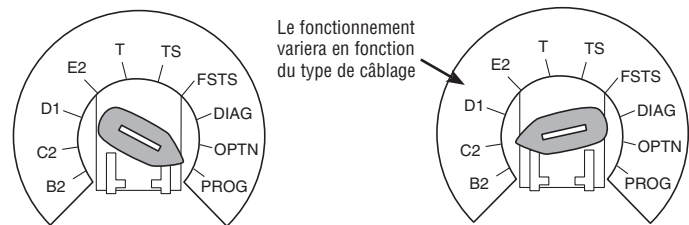
Remarques spéciales au sujet du MAS : Un 5ème fil doit être passé à la station de commande pour activer la DEL MAS. La DEL MAS sur la carte logique est toujours activée. Lorsque l'ouvre-porte est entretenu après que la DEL MAS a commencé à clignoter, répéter la procédure de configuration pour programmer le nombre ou les cycles désirés jusqu'à la prochaine visite de service OU appuyer et tenir le bouton MAS durant 5 secondes dans le mode PROGRAM pour restaurer le MAS avec la valeur programmée actuelle. Pour désactiver le MAS, suivre la procédure de programmation ci-dessus et appuyer sur le bouton STOP (arrêt) pour restaurer le compteur à zéro. Chaque fois que l'ouvre-porte quitte la fin de course fermée est

compté comme un cycle.

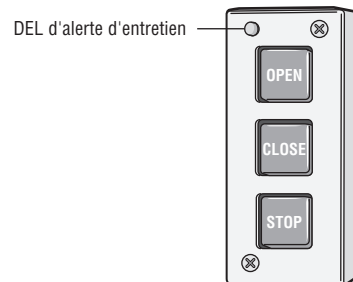
Pour voir combien de cycles sont programmés dans le MAS, régler le cadran de réglage à DIAGNOSTIC et appuyer sur le bouton MAS. La DEL du bouton OPEN (ouvrir) clignotera une fois pour chaque incrément de 5 000 cycles programmé et le bouton CLOSE (fermer) clignotera une fois pour chaque incrément de 3 mois programmé.

Pour voir combien de cycles se sont écoulés depuis la dernière fois où le MAS été programmé, régler le cadran de réglage à DIAGNOSTIC et appuyer sur le bouton MAS. Appuyer sur le bouton OPEN (ouvrir); la DEL OPEN (ouvrir) clignotera une fois pour chaque 5 000 cycles qui se sont écoulés. Appuyer sur le bouton CLOSE (fermer); la DEL CLOSE (fermer) clignotera une fois pour chaque 3 mois qui se sont écoulés. Appuyer sur le bouton MAS pour sortir. Ramener le cadran de réglage au type de câblage désiré.

CADRAN DE RÉGLAGE



STATION À 3 BOUTONS



Appuyer sur	Pour obtenir
OPEN (OUVRIR)	Ajoute 5 000 cycles au compteur d'activation du Système d'alerte d'entretien.
CLOSE (FERMER)	Ajoute 3 mois à la minuterie d'activation du Système d'alerte d'entretien.
STOP (ARRÊT)	Vide la mémoire, configure le compteur d'activation du Système d'alerte d'entretien à 0 cycles et 0 mois.

OUVERTURE À MI-COURSE

Caractéristique : La fonction mi-course est pour ouvrir la porte à un point prédéterminé avant la position entièrement ouverte.

Avantage : La porte s'ouvre à mi-parcours entre ouvert et fermé réduisant les coûts de chauffage et de climatisation. Le cycle de la porte ne sera pas complet, permettant une durée accrue de la porte et de l'ouvre-porte.

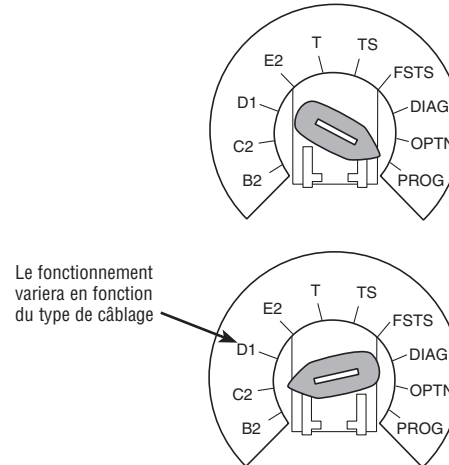
Pour programmer :

1. Fermer la porte.
2. Tourner le cadran de réglage à PROGRAM.
3. Appuyer et relâcher le bouton MID sur la carte logique.
4. Appuyer sur le bouton OPEN (ouvrir), attendre que la porte atteigne la hauteur de mi-course désirée, puis appuyer et relâcher le bouton STOP (arrêt).
5. Appuyer et relâcher le bouton MID pour compléter la programmation.
6. Ramener le cadran de réglage au type de câblage désiré.

REMARQUE : Une commande momentanément ouverte ouvrira la porte en entier à partir de la position mi-course. Quand la porte atteint la position intermédiaire, les capteurs photoélectriques et autres dispositifs de protection contre le piégeage empêchent la porte de s'ouvrir au-delà de la position intermédiaire, sauf en mode E2. La minuterie de fermeture fonctionnera à partir de la mi-course.

Pour annuler le réglage de mi-course, placer le cadran de réglage à PROG puis appuyer et tenir le bouton MID durant 5 secondes. La DEL MID clignotera rapidement et s'éteindra lorsque la mi-course aura été annulée. Ramener le cadran de réglage au type de câblage désiré.

CADRAN DE RÉGLAGE



⚠ AVERTISSEMENT

Pour empêcher une BLESSURE GRAVE ou une MORT possible :

- Installer un dispositif de Protection contre le piégeage avec surveillance LiftMaster (LMEP).
- NE JAMAIS permettre aux enfants de faire fonctionner ou de jouer avec les boutons poussoirs de la commande de porte ou avec les télécommandes.

- Activer la porte SEULEMENT lorsqu'elle peut être vue clairement, qu'elle est correctement ajustée et qu'il n'y a aucune obstruction au déplacement de la porte.
- TOUJOURS garder la porte en vue jusqu'à ce qu'elle soit entièrement fermée. NE JAMAIS permettre à quelqu'un de se trouver dans la trajectoire de la porte qui se ferme.

MINUTERIE DE FERMETURE

Caractéristique : La minuterie enclenche automatiquement la fermeture de la porte une fois la durée d'ouverture préprogrammée expirée. Tous les dispositifs de protection contre le piégeage doivent être dégagés.

Avantage : La porte se ferme automatiquement après un temps prédéterminé. Parfait pour les immeubles d'habitation, les postes de pompiers et autres applications où l'utilisateur désire que la porte se ferme automatiquement après une durée spécifiée.

Exigences : Au moins un dispositif de Protection contre le piégeage avec surveillance LiftMaster (LMEP) doit être installé (se référer à la page 20). Le type de câblage doit être configuré à TS, T ou FSTS.

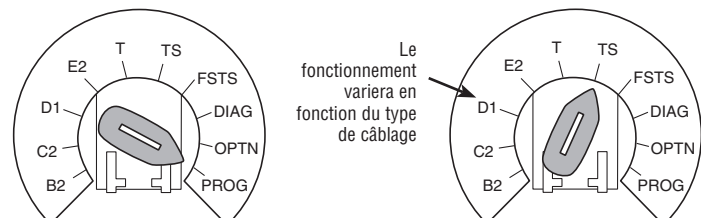
POUR PROGRAMMER MANUELLEMENT (MÉTHODE 1) :

1. Fermer la porte.
2. Tourner le cadran de réglage à PROGRAM.
3. Appuyer et relâcher le bouton TIMER (minuterie) sur la carte logique.
4. Appuyer et relâcher le bouton STOP (arrêt) pour vider la minuterie.
5. Appuyer et relâcher le bouton OPEN (ouvrir) pour chaque seconde pendant laquelle l'ouvre-porte devrait attendre avant de tenter de fermer la porte. Appuyer et relâcher le bouton CLOSE (fermer) pour chaque 15 secondes pendant lesquelles l'ouvre-porte devrait attendre avant de fermer la porte.

6. Appuyer et relâcher le bouton TIMER (minuterie) pour compléter la programmation. Les DEL OPEN (ouvrir)/CLOSE (fermer) clignotent pour confirmer la configuration de la minuterie. La DEL OPEN (ouvrir) clignote une fois pour chaque seconde programmée et la DEL CLOSE (fermer) clignote une fois pour chaque 15 secondes programmées.
7. Ramener le cadran de réglage au type de câblage désiré pour la minuterie (TS, T ou FSTS).

Exemple : Pour fermer la porte après 70 secondes. Tourner le cadran de réglage à PROGRAMM, appuyer et relâcher le bouton TIMER (minuterie), appuyer et relâcher le bouton STOP (arrêt) pour vider la minuterie, appuyer et relâcher le bouton CLOSE (fermer) quatre fois pour 60 secondes et appuyer et relâcher le bouton OPEN (ouvrir) 10 fois pour 10 secondes. Appuyer sur le bouton TIMER (minuterie) pour terminer la programmation de la minuterie. Ramener le cadran de réglage au type de câblage désiré pour la minuterie. (TS, T, FSTS).

CADRAN DE RÉGLAGE



MINUTERIE DE FERMETURE

PROGRAMMATION DE LA MINUTERIE DE FERMETURE PAR

EXEMPLE (MÉTHODE 2) :

POUR PROGRAMMER :

1. Fermer la porte.
2. Tourner le cadran de réglage à PROGRAM.
3. Appuyer et tenir le bouton TIMER (minuterie) durant 5 secondes jusqu'à ce que OPEN (ouvrir) et OLS clignotent puis relâcher.
4. Appuyer et relâcher le bouton OPEN (ouvrir) puis attendre que la porte atteigne la position entièrement ouverte ou mi-course.
5. Attendre que le temps désiré s'écoule. (Un chronomètre interne commence à compter lorsque la porte cesse de bouger.)
6. Appuyer et relâcher le bouton TIMER (minuterie), le bouton CLOSE (fermer) ou le bouton STOP (arrêt) pour arrêter la minuterie. (la DEL TIMER SET (réglage de minuterie) s'allume.)
7. Ramener le cadran de réglage au type de câblage désiré (T, TS ou FSTS).

REMARQUE : Pour relire le réglage de minuterie de fermeture, ramener le cadran de réglage à DIAGNOSTIC et appuyer sur le bouton TIMER (minuterie). La DEL OPEN (ouvrir) clignote une fois pour chaque seconde programmée et la DEL CLOSE (fermer) clignote une fois pour chaque 15 secondes programmées.

En mode T, la minuterie peut être désactivée de la position ouverte en appuyant sur le bouton STOP (arrêt). La minuterie sera réactivée lors de la prochaine commande de fonctionnement. Le bouton STOP (arrêt) NE désactivera PAS la minuterie en mode TS. Pour désactiver la minuterie durant plus d'un cycle en mode T ou en mode TS, fixer un interrupteur d'échec à 11 et 12 (COMMON (commun) et TIMER DEFEAT (échec de minuterie)).

MODE CONCESSIONNAIRE AUTOMOBILE

Caractéristique : Le mode Concessionnaire automobile utilise le SBC (entrée de commande à un bouton) pour amener la porte de la position fermée à la position programmée mi-course ouverte et la garder à cet endroit même avec des entrées multiples.

Avantage : Permet des économies d'énergie en limitant la hauteur d'ouverture de la porte.

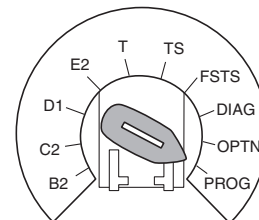
Exigences : Cette fonction agit conjointement avec la fonction minuterie de fermeture programmable. Pour activer cette fonction, vous devez d'abord connecter un détecteur, un capteur photoélectrique ou un accessoire capteur de boucle à l'entrée SBC et au moins un dispositif de Protection contre le piégeage avec surveillance LiftMaster (LMEP) doit être installé (se référer à la page 20). Le type de câblage doit être configuré à TS, T ou FSTS.

POUR PROGRAMMER :

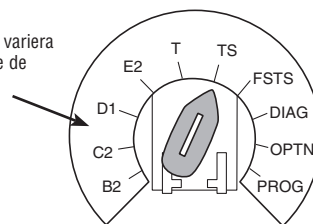
1. Commencer avec la porte en position fermée.
2. Tourner le CADRAN DE RÉGLAGE à PROG.
3. Appuyer sur le bouton TIMER (minuterie) et le relâcher (la DEL verte de minuterie s'allume)
4. Appuyer et relâcher le bouton MID. Ceci active le mode Concessionnaire automobile. (La DEL VERTE TIMER (minuterie) clignotera 6 fois pour indiquer que le mode Concessionnaire automobile est activé.)
5. Appuyer et relâcher le bouton TIMER (minuterie).
6. Ramener le cadran de réglage au type de câblage désiré (TS ou T).

REMARQUE : Pour désactiver le mode Concessionnaire, suivre les étapes 2 et 3, puis appuyer sur le bouton MRT et relâcher. (La DEL VERTE TIMER (minuterie) clignotera 3 fois pour indiquer que le mode Concessionnaire automobile est désactivé.)

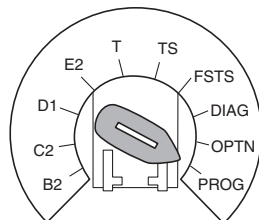
CADRAN DE RÉGLAGE



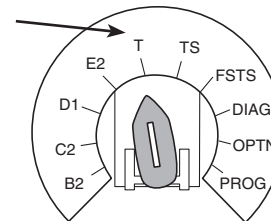
Le fonctionnement variera en fonction du type de câblage



CADRAN DE RÉGLAGE



Le fonctionnement variera en fonction du type de câblage



MINUTERIE DE FONCTIONNEMENT MAXIMAL (MRT)

Caractéristique : L'ouvre-porte peut apprendre le temps nécessaire pour ouvrir ou fermer la porte plus ajouter un 10 secondes supplémentaires.

Avantage : Si l'ouvre-porte n'atteint pas la fin de course ouvert ou fermée dans le temps configuré, il s'arrêtera, limitant le dommage à la porte et à l'ouvre-porte.

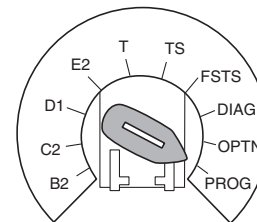
Pour programmer :

REMARQUE : La configuration par défaut pour le MRT est de 90 secondes. Dans le cas où l'application exige que le MRT soit appris manuellement pour une durée plus longue, effectuer les étapes suivantes.

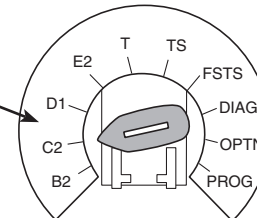
1. Commencer avec la porte en position fermée.
2. Tourner le cadran de réglage à PROGRAM.
3. Appuyer et relâcher le bouton MRT sur la carte logique.
4. Appuyer sur le bouton OPEN (ouvrir) et attendre que la porte atteigne la fin de course entièrement ouvert.
5. Lorsque la porte a atteint la position ouverte, la programmation est complète.
6. Ramener le cadran de réglage au type de câblage désiré.

REMARQUE : Pour restaurer le MRT seulement, tourner le cadran de réglage à PROGRAM puis appuyer et tenir le bouton MRT jusqu'à ce que la DEL MAS clignote rapidement.

CADRAN DE RÉGLAGE



Le fonctionnement variera en fonction du type de câblage



RESTAURATION DES VALEURS D'USINE PAR DÉFAUT - EFFACEMENT DE LA MÉMOIRE

Pour restaurer la plupart des configurations installées par l'utilisateur aux valeurs d'usine par défaut :

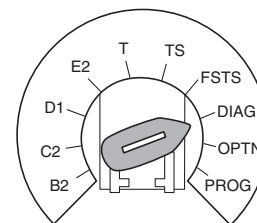
1. Tourner le cadran de réglage à DIAGNOSTIC.
2. Appuyer et tenir le bouton STOP (arrêt) durant 5 secondes. La DEL MAS clignotera un instant puis les valeurs d'usine par défaut seront restaurées.
3. Ramener le CADRAN de réglage au type de câblage désiré.

Réglages d'usine par défaut :

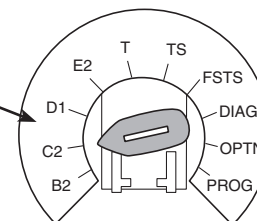
- a. Minuterie de fermeture = 0 seconde.
- b. La mi-course est désactivée.
- c. Le Système d'alerte d'entretien est désactivé.
- d. La Minuterie de fonctionnement maximal est réglée à 90 secondes.
- e. Le mode Concessionnaire automobile est désactivé.
- f. Les télécommandes et dispositifs MyQ^{MD} resteront programmables.
- g. La programmation des télécommandes se fait par la station à 3 boutons.
- h. Le dispositif de Protection contre le piégeage avec surveillance LiftMaster (LMEP) sera déprogrammé.

REMARQUE : La fonctionnalité Durée de vie de l'actionneur (odomètre/compteur de cycles), les télécommandes ainsi que les dispositifs MyQ programmés ne sont pas supprimés.

CADRAN DE RÉGLAGE



Le fonctionnement variera en fonction du type de câblage



ENTRETIEN

PÉRIODICITÉS D'ENTRETIEN

Pour utilisation avec le Système d'alerte d'entretien.
Vérifier aux intervalles énumérés dans le tableau suivant :

AVERTISSEMENT

Pour éviter des BLESSURES personnelles SÉRIEUSES ou la MORT :

- Déconnecter l'alimentation électrique AVANT d'effectuer TOUT ajustement ou entretien.
- TOUT entretien DOIT être effectué par un technicien formé en systèmes de porte.

ÉLÉMENT	PROCÉDURE	CHAQUE MOIS	CHAQUE 3 MOIS OU 5000 CYCLES	CHAQUE 6 MOIS OU 10000 CYCLES	CHAQUE 12 MOIS OU 20000 CYCLES
Chaîne d'entraînement	Vérifier s'il y a un mou excessif. Vérifier et ajuster si nécessaire. Lubrifier.		●●		
Pignons	Vérifier si les vis de serrage sont bien serrées.		●		◆
Embrayage	Vérifier et ajuster si nécessaire.			●	◆
Courroie	Vérifier la condition et la tension.			●	◆
Fixations	Vérifier et resserrer si nécessaire.			●	◆
Déconnexion manuelle	Vérifier et faire fonctionner.			●	◆
Roulements et arbres	Vérifier l'usure et lubrifier.		●●		
Protection contre le piégeage avec surveillance LiftMaster (LMEP)	Vérifier l'alignement et la fonctionnalité.	●			

◆ Utiliser l'huile SAE 30 (N'utilisez jamais de graisse ou de silicone en vaporisateur).

- Ne pas lubrifier le moteur. Les roulements du moteur sont classés pour un fonctionnement continu.
- Ne pas lubrifier l'embrayage ou la courroie en V.

◆ Répéter TOUTES les procédures.

- Inspecter et faire l'entretien chaque fois qu'un mauvais fonctionnement est observé ou suspecté.

COMMENT COMMANDER LES PIÈCES DE RECHANGE

NOTRE IMPORTANTE ORGANISATION DE SERVICE COUVRE L'AMÉRIQUE

Des renseignements concernant l'installation et le service sont disponibles. Appelez notre numéro SANS FRAIS :

1-800-528-2806 - www.liftmaster.com

FONCTION DE DURÉE DE VIE DE L'OUVRE-PORTE (ODOMÈTRE/COMPTEUR DE CYCLES)

L'ouvre-porte est muni d'un odomètre pour afficher depuis combien de mois et de cycles l'ouvre-porte a fonctionné depuis le moment où il a été installé. Cette caractéristique peut aider à déterminer depuis combien de temps l'ouvre-porte a été en service.

1. Commencer avec la porte en position fermée.
2. Tourner le cadran de réglage à DIAG (mode diagnostique).
3. Appuyer et relâcher le bouton MAS sur la carte logique.
4. Appuyer et relâcher le bouton MRT sur la carte logique.
5. Lest témoins ouvert et fermé clignoteront. OPEN (ouvrir) pour chaque 5000 cycles et CLOSE (fermer) pour chaque 3 mois.
6. Ramener le CADRAN DE RÉGLAGE au type de câblage désiré.

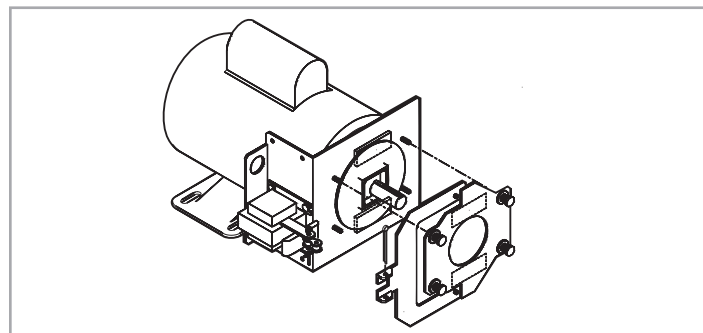
REMARQUE : Si l'ouvre-porte n'a pas atteint 5000 cycles ou 3 mois, il n'y aura aucune indication.

FREIN (LE CAS ÉCHÉANT)

Un frein électrique est disponible en option pour certains modèles. Le frein est ajusté en usine et ne devrait pas nécessiter d'ajustement supplémentaire pour la durée de vie de l'ensemble de frein.

Inspecter les plaquettes de frein et remplacer l'ensemble de frein si nécessaire.

REMARQUE : Votre ouvre-porte peut sembler différent de l'ouvre-porte montré.



DÉPANNAGE

FICHE DIAGNOSTIQUE

La carte logique a plusieurs DEL pour aider à l'installation et au dépannage de l'ouvre-porte. Le tableau suivant devrait aider à vérifier si l'ouvre-porte fonctionne correctement. Tourner le cadran de réglage à DIAGNOSTIC pour empêcher la porte de bouger durant le dépannage.

DEL	COULEUR	DÉFINITION
Power (alim.)	Vert	Indique que l'alimentation est générée pour la carte logique.
Stop (Arrêt)	Vert	Indique un circuit fermé entre le commun et la borne 5. Appuyer sur Stop (arrêt) devrait éteindre cette DEL.
Open (Ouvrir)	Jaune	Indique un circuit fermé entre le commun et la borne 7. Appuyer sur le bouton Open (ouvrir) devrait allumer cette DEL.
Close (Fermer)	Jaune	Indique un circuit fermé entre le commun et la borne . Appuyer sur le bouton Close (fermer) devrait allumer cette DEL.
LMEP	Vert	Un voyant lumineux non clignotant indique qu'un dispositif de protection contre le piégeage est programmé. Un voyant clignotant indique que les capteurs doivent être reconnectés ou activés, ou déprogrammés si supprimés**. Un voyant lumineux non clignotant indique qu'aucun capteur n'est programmé.
Échec de minuterie	Jaune	Allumé en continu indique un circuit fermé entre le commun et la borne 12. Minuterie de fermeture ne se ferme pas.
OLS	Jaune	Appuyer sur l'interrupteur de fin de course ouvert devrait allumer cette DEL. Indique que l'interrupteur de fin de course (direction ouverture) est activé.
CLS	Jaune	Appuyer sur l'interrupteur de fin de course fermé devrait allumer cette DEL. Indique que l'interrupteur de fin de course (direction fermeture) est activé.
SLS	Jaune	Appuyer sur l'interrupteur de fin de course de sécurité devrait allumer cette DEL. Indique que le capteur de l'interrupteur de fin de course est activé.
Edge (chant)	Jaune	Indique un circuit fermé entre le commun et la borne 8. Appuyer sur le chant devrait allumer cette DEL.
Mid Stop (mi-course)	Jaune	Allumé en continu indique que la porte est arrêtée dans sa course vers le haut ou le bas à mi-course. Clignotant indique que la mi-course est en cours de configuration.
Minuterie activée	Vert	Allumé en continu indique que TIMER (minuterie) est programmé et s'activera à partir de la position ouvert ou mi-course. Clignotant indique que la minuterie compte à rebours et que la porte se fermera après la durée prédéterminée. Chaque clignotement représente une seconde de temps préprogrammé.
SBC	Jaune	Indique un circuit fermé entre le commun et la borne 1. Appuyer sur la station de commande à un bouton devrait allumer cette DEL.
MAS	Jaune	Indique que le Système d'alerte d'entretien a été activé ou qu'un code d'erreur a été déclenché.
Relais A	Jaune	Indique qu'une commande d'ouverture ou de fermeture a été donnée au moteur. La DEL s'allume lorsque le bouton OPEN (ouvrir)/CLOSE (fermer) est pressé.
Relais B	Jaune	Indique qu'une commande d'ouverture ou de fermeture a été donnée au moteur. La DEL s'allume lorsque le bouton OPEN (ouvrir)/CLOSE (fermer) est pressé.
DATA (données)	Vert	Indique une communication entre la carte Logic 5 et une TLSCARD optionnelle.

** FERMETURE RESTREINTE. Cette méthode vous permet de fermer la porte lorsque le ou les dispositifs LMEP ne fonctionnent plus. Appuyer et tenir le bouton CLOSE (fermer) jusqu'à ce que la porte atteigne la fin de course fermée. Si le bouton CLOSE (fermer) est relâché avant que la porte atteigne la fin de course fermée, l'ouvre-porte s'arrête et la procédure doit être répétée pour fermer complètement la porte.

GUIDE DE DÉPANNAGE

DÉFAUT	CAUSE POSSIBLE	CORRECTION
L'OUVRE-PORTE NE RÉPOND À AUCUNE COMMANDE	<ul style="list-style-type: none"> a) Pas d'alimentation b) La station de commande de l'ouvre-porte est mal connectée c) L'interrupteur de verrouillage est activé d) Le cadran est encore en mode programmation, option ou diagnostic e) Le moteur fonctionne mal f) La surcharge thermique du moteur s'est déclenchée g) Mauvais fonctionnement possible d'un accessoire h) La carte d'alimentation peut devoir être remplacée i) Défaut possible de la carte logique 	<ul style="list-style-type: none"> ➤ Vérifier la tension de ligne primaire provenant de la source d'alimentation. La DEL POWER (alim.) verte doit être allumée. ➤ Utiliser les DEL OPEN (ouvrir), CLOSE (fermer) et STOP (arrêt) pour aider à vérifier si le câblage est correct. Vérifier que la carte accepte les commandes en utilisant la station embarquée. La DEL verte à côté du bouton STOP (arrêt) doit être allumée. ➤ Vérifier les verrouillages. Si plus d'un verrouillage externe est présent, ils doivent être câblés en série. La DEL verte à côté du bouton STOP (arrêt) doit être allumée. ➤ Régler le cadran sur le type de câblage désiré. ➤ Vérifier que la bonne tension se rend au moteur (Vérifier la plaque signalétique du moteur). ➤ Vérifier si le moteur est chaud. Laisser le moteur refroidir avant de tenter de bouger la porte. Faire effectuer un cycle à l'ouvre-porte en pression constante un cycle complet ouvert et fermé pour restaurer le défaut. ➤ Déconnecter tous les dispositifs, les relier un à la fois en testant la présence de défaut après que chacun soit rajouté. ➤ Lorsque le bouton OPEN (ouvrir) ou le bouton CLOSE (fermer) est pressé, la DEL du Relais A ou B devrait s'allumer et la porte devrait bouger dans la direction correspondante. Si les voyants des relais A et B ne clignotent pas et que la porte ne se déplace pas, la carte d'alimentation peut devoir être remplacée. ➤ Remplacer la carte logique.
LA DEL D'ALIMENTATION N'EST PAS ALLUMÉE	<ul style="list-style-type: none"> a) Connexions de câblage secondaires desserrées ou transformateur de commande défectueux b) Interrupteur de verrouillage du palan 	<ul style="list-style-type: none"> ➤ Réparer ou remplacer les connexions ou le transformateur de commande. ➤ Vérifier le verrouillage. Vérifier que la chaîne de dégagement manuel n'est pas engagée.
LA DEL DU BOUTON STOP (arrêt) N'EST PAS ALLUMÉE	<ul style="list-style-type: none"> a) La station de commande n'est pas connectée ou câblée correctement b) Interrupteur de verrouillage 	<ul style="list-style-type: none"> ➤ Vérifier le câblage à la station de commande. ➤ Vérifier la continuité de la ou des interrupteurs de verrouillage.
LA PORTE BOUGE D'ENVIRON UN PIED PUIS S'ARRÊTE. APRÈS L'ARRÊT, SEULE UNE COMMANDE À PRESSION CONSTANTE FAIT BOUGER LA PORTE	<ul style="list-style-type: none"> a) Le capteur de régime du moteur n'est pas correctement connecté ou doit être remplacé b) L'embrayage glisse 	<ul style="list-style-type: none"> ➤ Vérifier l'ensemble du capteur de régime pour détecter les connexion desserrées. Vérifier que la roue du capteur de régime du moteur tourne lorsque l'ouvre-porte fonctionne. Vérifier si un corps étranger bloque la lentille optique. ➤ Remplacer le capteur de régime du moteur. ➤ Ajuster l'embrayage et vérifier que la porte ne se bloque pas.
LA PORTE BOUGE SUR PRESQUE TOUTE SA COURSE VERS SA FIN DE COURSE PUIS S'ARRÊTE. UNE COMMANDE SUPPLÉMENTAIRE OPEN (OUVRIR) OU CLOSE (FERMER) PERMET À LA PORTE DE COMPLÉTER LE CYCLE	La minuterie de fonctionnement maximal n'est pas configurée correctement	➤ Reprogrammer manuellement la minuterie de fonctionnement maximal (page 34). OU restaurer les valeurs d'usine par défaut (page 34).
LA PORTE S'OUVRE UN PEU MAIS PAS COMPLÈTEMENT. UN OPEN (ouvrir) SUPPLÉMENTAIRE PERMET D'OUVRIR LA PORTE COMPLÈTEMENT.	Une mi-course peut être configurée	➤ Vérifier si la DEL de mi-course est allumée. Annuler la mi-course en tournant le cadran de réglage à programmation. Appuyer et tenir le bouton MID STOP (mi-course) durant 5 secondes. Ramener le cadran au type de câblage désiré. Pour réinitialiser l'arrêt à mi-course, se référer à la page 32.
LA PORTE S'OUVRE MAIS SE FERME SEULEMENT APRÈS UN DÉLAI DE CINQ SECONDES AVEC UNE PRESSION CONSTANTE SUR LE BOUTON CLOSE (FERMER) (MODE DE FERMETURE RESTREINTE)	<ul style="list-style-type: none"> a) Le dispositif de protection contre le piégeage branché est entravé ou activé b) La carte logique pense que les capteurs photoélectriques à connexion directe sont attachés ou bloqués 	<ul style="list-style-type: none"> ➤ Si la DEL LMEP sur la carte clignote, le capteur photoélectrique est désaligné ou non connecté. Retirez tout obstacle, vérifiez le câblage du dispositif de protection contre le piégeage pour s'assurer de la présence de continuité au circuit de sécurité ou pour détecter la présence de courts-circuits. Dans l'éventualité où plus d'un dispositif de protection contre le piégeage est installé au moyen d'une carte CPS3CARD, le voyant du dispositif de protection ne clignotera pas si l'un de ceux-ci est entravé. ➤ Désapprendre les capteurs photoélectriques de la mémoire en restaurant aux valeurs d'usine par défaut.

CODES D'ERREUR DE DÉPANNAGE

Les ouvre-portes Logic 5.0 comprennent une fonction d'auto-diagnostic intégrée dans la DEL MAS. En plus d'indiquer quand l'entretien de routine est dû, la DEL MAS peut être utilisée pour dépanner certaines problèmes de l'ouvre-porte.

Si la DEL MAS clignote rapidement, le Système d'alerte d'entretien a été déclenché et l'entretien périodique de l'ouvre-porte est dû. Si la DEL MAS clignote 2 clignotements ou plus de suite suivis d'une pause, une erreur de l'ouvre-porte s'est produite. Pour voir

combien de codes d'erreurs existent en ce moment, tourner le cadran de réglage à DIAGNOSTIC et appuyer sur le bouton OPEN (ouvrir). Pour lire chaque code d'erreur individuel (si plus d'un code existe), appuyer sur CLOSE (fermer). Il est possible d'avoir plus d'un code d'erreur à la fois.

Le tableau ci-dessous peut aider à identifier les clignotement de la DEL MAS.

CODE D'ERREUR	AFFICHAGE	DESCRIPTION	EFFET	CORRECTION
E1	1 clignotement	MAS déclenché (cycles ou mois)	Aucun; fonctionnement normal	Réinitialiser le MAS (page 31).
E2	2 clignotements	Pas d'entrée de régime du moteur durant l'ouverture	La porte répond seulement aux commandes à pression constante	L'embrayage glisse, ajuster l'embrayage, ou vérifier la connexion du capteur de régime du moteur ou remplacer le capteur de régime du moteur. REMARQUE : Pour réapprendre le capteur de régime du moteur, déplacer la porte avec une commande à pression constante. La porte s'arrête lorsqu'elle a réappris et le fonctionnement normal reprend.
E3	3 clignotements	Temporisation de la minuterie de fonctionnement maximal (MRT)	La porte s'arrête avant d'avoir atteint les fins de course d'ouverture ou de fermeture	Vérifier d'abord que l'ouvre-porte ne comporte aucun défaut (p.ex., interrupteur de fin de course défectueux), apprendre manuellement la minuterie de fonctionnement maximal (page 34) OU restaurer les valeurs d'usine par défaut (page 34).
E4	4 clignotements	Blocage capté ou perte du signal du capteur RPM durant la fermeture	L'ouvre-porte s'inversera à la position OPEN (ouvrir)	Dégagez les objets qui entravent le fonctionnement, vérifiez les capteurs sensoriels et la présence d'un possible glissement de l'embrayage.
E5	5 clignotements	Bouton collé pressé durant plus de 2 minutes	Le bouton collé sur station à 3 boutons ne répondra pas	Le bouton collé doit être décollé avant d'être reconnu comme une entrée.
E6	6 clignotements	Carte à option non valide branchée dans les réceptacles da carte à option	La carte à option ne fonctionne pas correctement	Se référer à la page d'accessoires pour une lise des cartes à option supportées.
E7	7 clignotements	Le dispositif de Protection contre le piégeage avec surveillance LiftMaster (LMEP) est défectueux ou a été enlevé durant plus de 2 minutes	Fonctionnement normal (surpassément par pression constante de 5 secondes requis pour fermer)	Déprogrammé lorsque le dispositif de protection contre le piégeage est désactivé ou connecté.
E8	8 clignotements	Baisse de tension détectée	L'ouvre-porte ne fonctionne plus tant qu'une alimentation suffisante n'est pas disponible	1. Vérifier la tension de la ligne CA. 2. Vérifier le secondaire du transformateur pour détecter une tension faible. Trop d'accessoires peuvent être connectés au transformateur.
E9	Clignotement au début du mouvement	Mouvement du moteur à un moment non valide	L'ouvre-porte continue à fonctionner normalement durant 5 opérations puis prend implicitement le mode de pression constante	Vérifier les relais et les circuits d'entraînement pour s'assurer qu'ils s'éteignent. L'ouvre-porte doit savoir qu'ils s'éteignent. L'ouvre-porte doit fonctionner correctement durant deux démarrages pour que l'erreur s'efface.
E10	10 clignotements	Le cavalier de phase du moteur a été changé alors que l'unité n'était pas en mode programmation	La phase ne change pas	Entrer en mode programmation et déplacer le cavalier de phase pour changer la phase.

REMARQUE : Les codes d'erreur ont priorité sur le fonctionnement normal de la DEL MAS. Les codes d'erreur se répètent sur le MAS chaque 1,5 seconde jusqu'à ce qu'ils soient annulés. Il peut y avoir plus d'une erreur présente, mais seulement celle avec la priorité la plus élevée clignote. Si l'erreur le plus élevée est annulée, la prochaine plus élevée clignote. Toutes les erreurs s'auto-correctent lorsque l'action corrective est prise et une réinitialisation n'est pas nécessaire.

FONCTIONNALITÉ DE DÉPANNAGE PAR RADIO

Les codes d'erreur s'affichent sur la DEL radio.

REMARQUE : Le récepteur radio est compatible avec les télécommandes et les dispositifs sans clés du SECURITY+ 2.0^{MC}.

CODE D'ERREUR	AFFICHAGE	SYMPTÔME	PROBLÈME POSSIBLE	CORRECTION
R1	Clignotement rapide	Aucune réponse de la télécommande	Télécommande désapprise - Un utilisateur essaie d'utiliser une télécommande, mais la DEL RADIO clignote seulement brièvement et il n'y a pas de réponse de l'ouvre-porte.	Essayer de réapprendre la télécommande (page 30).
R2	Aucune activité DEL	Aucune réponse de la télécommande	Ne peut pas reconnaître la télécommande - Un signal faible causé par une pile déchargée ou une interférence externe avec la ou les télécommandes - OU - les télécommandes en cours d'apprentissage ne sont pas compatibles avec l'ouvre-porte. L'antenne n'est pas installée ou elle est endommagée.	Remplacer la pile - OU - éliminer l'interférence - OU - obtenir une télécommande qualifiée - OU - vérifier les connexions d'antenne.
R3	La DEL RADIO s'éteint après 30 secondes	La télécommande ne peut pas être apprise	Ne peut pas reconnaître la télécommande - Un signal faible causé par une pile déchargée ou une interférence externe interférant avec le processus d'apprentissage - OU - les télécommandes en cours d'apprentissage ne sont pas compatibles avec l'ouvre-porte. L'antenne n'est pas installée ou elle est endommagée.	Remplacer la pile - OU - éliminer l'interférence - OU - obtenir une télécommande qualifiée - OU - vérifier les connexions d'antenne.
R4	2 clignotements	La télécommande ne peut pas être apprise	La mémoire du récepteur est remplie - Un utilisateur entre un mode d'apprentissage par fonction radio, mais il n'y a pas d'espace restant pour ajouter une autre télécommande.	Effacer toutes les télécommandes apprises et réapprendre les télécommandes désirées.
R5	3 clignotements	La télécommande ne peut pas être apprise	Télécommande dupliquée - Un utilisateur entre un mode d'apprentissage par fonction RADIO et sélectionne la fonction à apprendre. Lorsque le bouton de la télécommande est pressé pour apprendre, une recherche révèle que la télécommande est déjà apprise.	Cette télécommande a déjà une fonction qui y est associée. Pour modifier la fonction, effacer toutes les télécommandes apprises et réapprendre la télécommande désirée.
R6	La DEL LMEP clignote	Impossible de fermer par pression constante dans les modes C2, D1 ou E2.	Dispositif de protection contre le piégeage absent - Un dispositif de détection est requis pour fermer par pression constante.	On doit connecter un dispositif de protection contre le piégeage avec surveillance LiftMaster (LMEP).

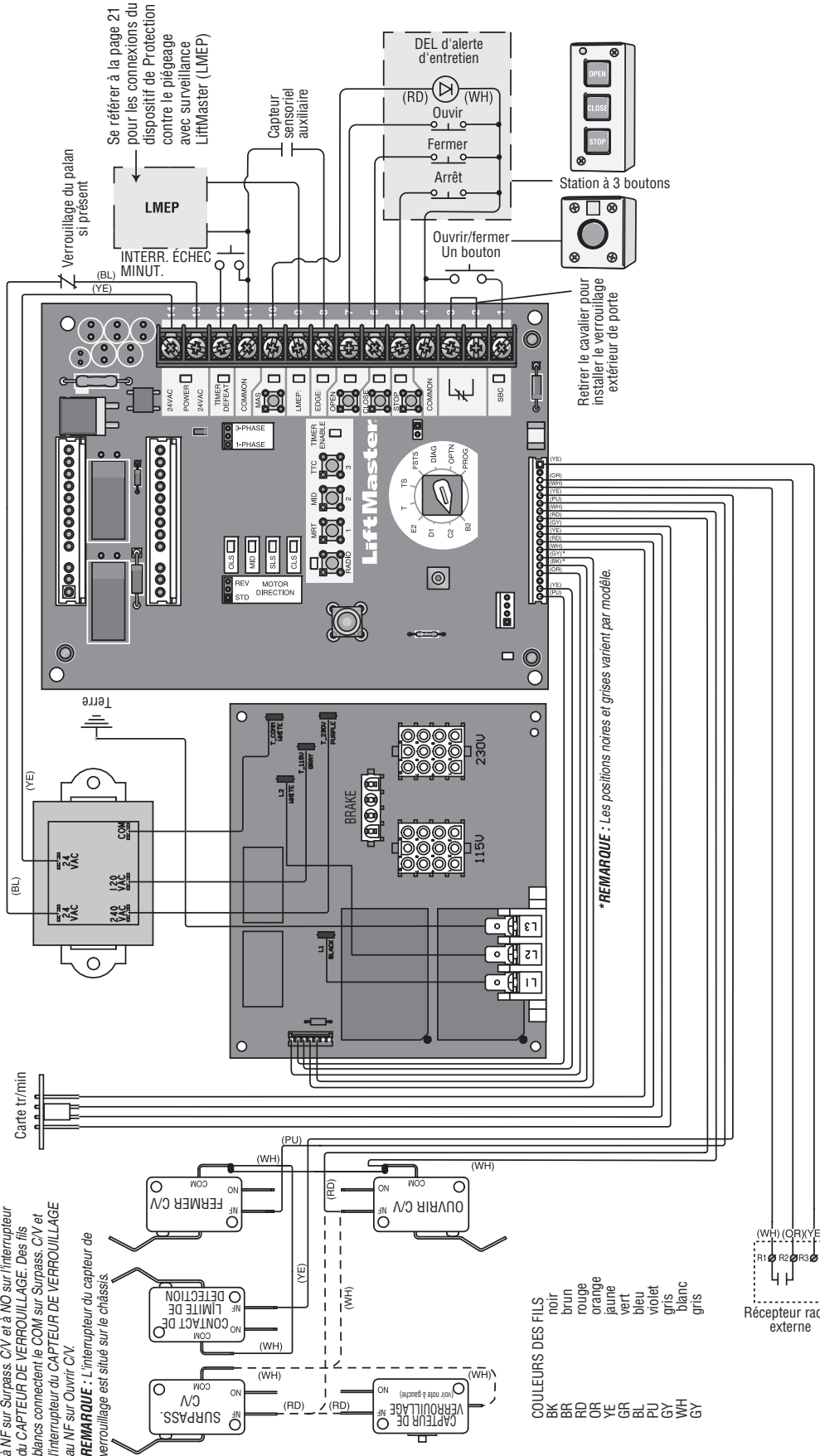
SCHÉMAS DE CÂBLAGE

LOGIC (VER. 5.0) SCHÉMA DE CÂBLAGE 1 PHASE

SCHÉMAS DE CÂBLAGE

REMARQUE : Un capteur de verrouillage (CV) est fourni sur les modèles DJ et DH seulement, un fil rouge du faisceau d'alimentation connecte à NF sur Surpass. CV et à NO sur l'interrupteur du CAPTEUR DE VERROUILLAGE. Des fils blancs connectent le COM sur Surpass. CV et l'interrupteur du CAPTEUR DE VERROUILLAGE à NF sur Ouvrir. CV.

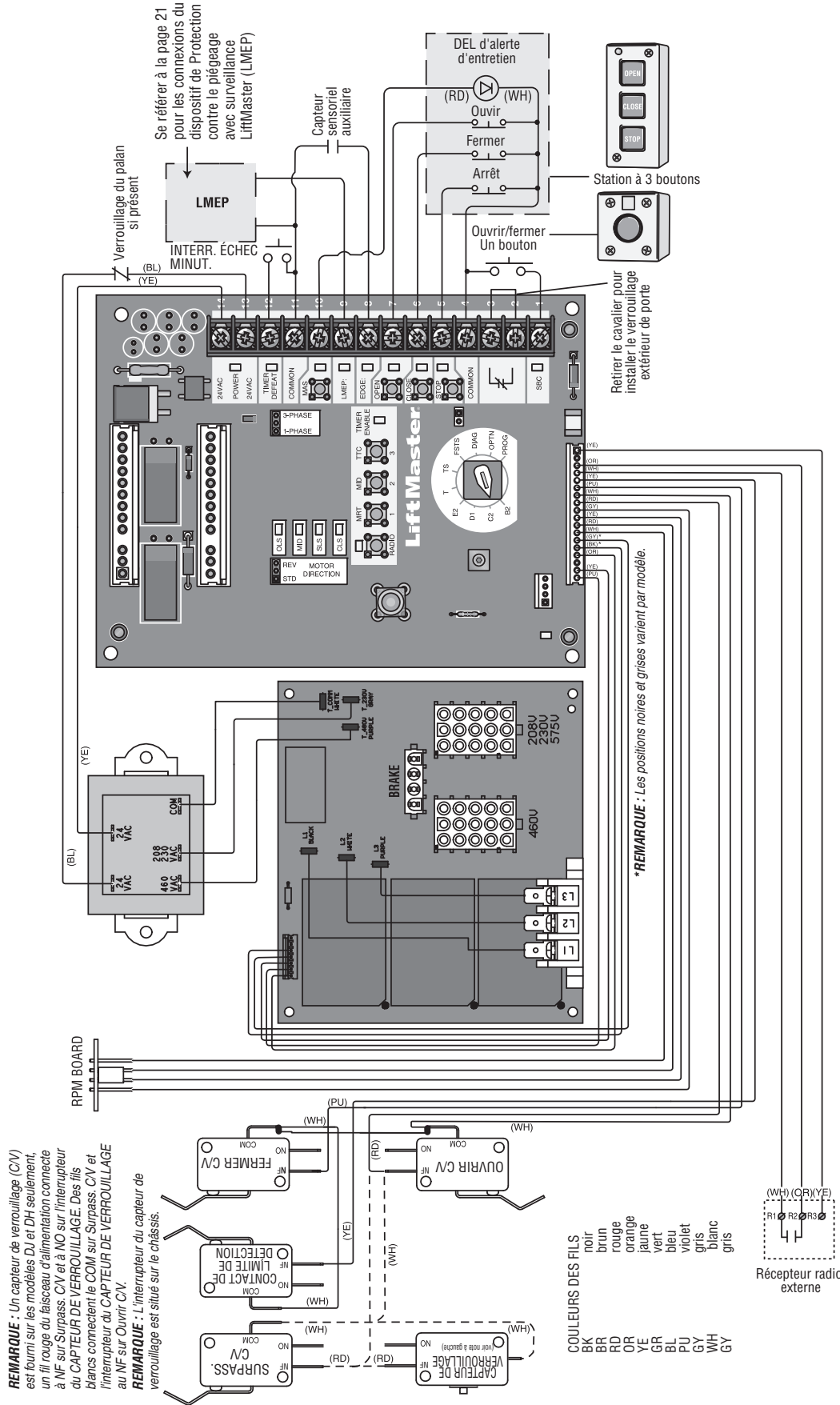
REMARQUE : L'interrupteur du capteur de verrouillage est situé sur le châssis.



*REMARQUE : Les positions noires et grises varient par modèle.

REMARQUE : Alimentation 32 Vcc fournie par les fils blanc et jaune situés à l'intérieur de la boîte électrique.

LOGIC (VER. 5.0) SCHÉMA DE CÂBLAGE 3 PHASES



ACCESSOIRES

TÉLÉCOMMANDES AVEC SECURITY+ 2.0^{MC} ET CONNECTIVITÉ



811LM

LiftMaster offre une variété de télécommandes **SECURITY+ 2.0^{MC}** pour vos différentes applications. Un à 4 boutons. Contacter votre revendeur installateur autorisé.

Télécommande universelle DIP à bouton unique :
Idéal pour des portes de garage d'application commerciale pour lesquelles un grand nombre de télécommandes à l'intérieur d'un espace partagé est requis.

813LM



Télécommande universelle DIP à trois boutons :
Inclut des indicateurs rouges, jaunes et verts pour les fonctions d'ouverture, de fermeture et d'arrêt.

893MAX



Télécommandes à 3 boutons :
Peut également contrôler jusqu'à 3 dispositifs d'éclairage MyQ^{MD} activés. Compatible avec tous les actionneurs d'ouvre-portes de garage LiftMaster^{MD} fabriqués depuis janvier 1993.

877LM



Clavier sans fil :
Peut être programmé avec des codes d'accès temporaires pour les visiteurs ou les employés chargés de la livraison.

STAR1000



Récepteur de contrôle d'accès d'application commerciale :
Programme jusqu'à 1 000 télécommandes LiftMaster^{MD}. Supporte les télécommandes qui permettent ou non la mise en veille afin d'interdire ou de rétablir l'accès.

828LM



Passerelle Internet LiftMaster^{MD} :
Permet aux propriétaires d'actionneurs d'ouvre-portes de garage d'application commerciale d'ouvrir et de fermer leurs portes de garage ainsi que d'allumer ou d'éteindre les lumières dans et autour de leurs installations au moyen d'un téléphone intelligent ou d'un ordinateur, et ce, de n'importe où dans le monde.

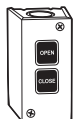
STATIONS DE COMMANDE

02-101



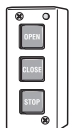
Station de commande à 1 bouton :
Boîtier en acier.

02-102



Station de commande à 2 boutons :
Boîtier en acier.

02-103L



Station de commande à 3 boutons :
Boîtier en acier avec Système d'alerte d'entretien.

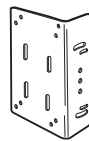
02-110



Station de commande à clé :
Montage encastré intérieur NEMA 1 avec bouton STOP (arrêt).

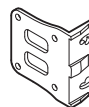
SUPPORTS DE MONTAGE

10-12360



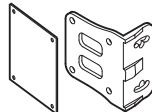
Support d'acier de forte épaisseur pour montage vertical ou horizontal sur le devant ou le haut du rouleau d'une porte roulante. Comporte une variété d'arrangements de trous de montage compatibles avec plusieurs fabricants d'équipement. Pour utilisation avec les ouvre-portes J, H, DJ et DH. Peut être soudé.

08-9098



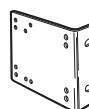
Support en fonte pour monter les ouvre-portes à montage latéral J, H, DH, DJ et GH sur un support de bout d'une porte ou grille roulante. Pour montage vertical ou horizontal à l'avant ou en haut du rouleau. Ne peut pas être soudé.

08-9098EZ



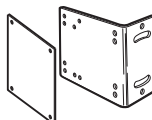
Comme 08-9098, mais avec une plaque adaptatrice pour tenir les boulons de montage en place pour montage plus facile.

1A4324



Support d'acier de forte épaisseur pour montage vertical ou horizontal sur le devant ou le haut du rouleau d'une porte roulante. Peut être soudé. Pour utilisation avec les ouvre-portes J, H, DJ et DH.

1A4324EZ

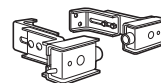


Même que 1A4324, mais avec une plaque adaptatrice pour tenir les boulons de montage en place pour montage plus facile.

DISPOSITIF DE PROTECTION CONTRE LE PIÉGEAGE

SURVEILLÉ

CPS-U



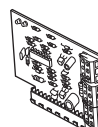
Système de protection commercial^{MD} :
Fournit une protection sur des portes jusqu'à 30 pi de largeur.

CPS-UN4



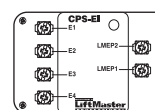
Système de protection commercial^{MD} :
Fournit une protection sur des portes jusqu'à 45 pi de largeur. Classification NEMA-4

CPS3CARD



Carte logique en option :
Pour utilisation quand plus d'un ensemble de capteurs photoélectriques est nécessaire. Aussi disponible pré-emballé avec un second ensemble de capteurs photoélectriques; voir CPS3 ou CPS3-N4 dans les produits d'ouvre-portes commerciaux et la liste de prix d'accessoires pour de plus amples renseignements.

CPS-EI



Interface de chant de sécurité surveillé :
Pour utilisation avec le chant de sécurité approuvé à 4 fils (voir ci-dessous).

ACCESSORIES

DISPOSITIF DE PROTECTION CONTRE LE PIÉGEAGE

SURVEILLÉ

CPS-RPEN4



Capteur photoélectrique :

Pour des portes de garage d'application commerciale. Détecte les objets qui bloquent le fonctionnement et communique avec le réflecteur dans un rayon maximal de 15,25 m (50 pi). Fermeture hydrofuge conforme à la norme NEMA 4.

CPS-OPEN4



Capteur photoélectrique :

Fournit une méthode de protection primaire contre le piégeage pour des portes mesurant jusqu'à 13,7 m (45 pi) de largeur. Conforme à la norme NEMA 4X.

OES-SD16



Trousse pour porte à sectionnelle de 4,9 m (16 pi)

Comprend un extrudeur en caoutchouc, des capteurs photoélectriques, un cordon enroulé, la boîte de connexion ainsi que la trousse d'installation. Canal en PVC vendu séparément.

OES-SD24



Trousse pour porte à sectionnelle de 7,3 m (24 pi)

Comprend un extrudeur en caoutchouc, des capteurs photoélectriques, un cordon enroulé, la boîte de connexion ainsi que la trousse d'installation. Canal en PVC vendu séparément.

OES-RD16



Trousse pour porte à enroulement de 4,9 m (16 pi)

Comprend un extrudeur en caoutchouc, des capteurs photoélectriques, un cordon enroulé, la boîte de connexion ainsi que la trousse d'installation. Canal en PVC vendu séparément.

65-CPT-223-15S



Capteur d'arête électrique contrôlé à 2 fils :

Convient aux portes sectionnelles mesurant jusqu'à 3,65 m (15 pi) de largeur La trousse inclut les canaux de montage. Coupez à la longueur désirée. Nécessite un CPS-MEI.

65-CPT-223-25S



Capteur d'arête électrique contrôlé à 2 fils :

Convient aux portes sectionnelles mesurant jusqu'à 7,6 m (25 pi) de largeur La trousse inclut les canaux de montage. Coupez à la longueur désirée. Nécessite un CPS-MEI.

65-CPT-223-15R



Capteur d'arête électrique contrôlé à 2 fils :

Convient aux portes à enroulement mesurant jusqu'à 3,65 m (15 pi) de largeur La trousse inclut les canaux de montage. Coupez à la longueur désirée. Nécessite un CPS-MEI.

65-CPT-223-25R



Capteur d'arête électrique contrôlé à 2 fils :

Convient aux portes à enroulement mesurant jusqu'à 7,6 m (25 pi) de largeur La trousse inclut les canaux de montage. Coupez à la longueur désirée. Nécessite un CPS-MEI.

CPS-MEI



Interface requise pour la connexion des modèles 65-CPT223-15 ou 65-CPT223-25.

DISPOSITIF DE PROTECTION CONTRE LE PIÉGEAGE

NON-SURVEILLÉ

65-8202



Système de détection de véhicule :

Ensemble de capteur de chant pneumatique avec interrupteur d'air extérieur, cordon enroulé à 2 fils et tuyau d'air de 14 pi.

65-5202



Système de détection de véhicule :

Ensemble de capteur de chant pneumatique avec interrupteur d'air extérieur, bobine réceptrice à 2 fils (20 pi étendu) et tuyau d'air de 14 pi.

CARTES À OPTION

TLS1CARD

Carte de statut d'éclairage et de minuterie :

La carte à option TLS fournit des fonctions spéciales pour activer et faire clignoter des dispositifs auxiliaires comme des lumières, des sonneries et des klaxons/stroboscopes à diverses positions de porte et pour fournir des fonctions spéciales de minuterie.

AUXCARD

Carte de contact auxiliaire :

La carte à option Contact auxiliaire a des contacts normalement ouverts et normalement fermés qui sont actionnés lorsque la porte est à l'arrêt, qu'elle s'ouvre ou qu'elle se ferme.

TENDEURS DE CHAÎNE

Pour ouvre-porte de type arbre secondaire

71-6023

Pour arbres de 1 po. Recommandé pour une tension appropriée de la chaîne d'entraînement entre l'arbre de l'ouvre-porte et l'arbre de la porte.

71-6125

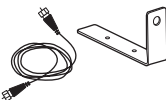


Même que 71-6023, mais pour arbres de 1-1/4 po.

DIVERS

86LM (15 pi)

86LMT (25 pi)



Ensemble d'extension d'antenne :

L'ensemble d'extension d'antenne peut être utilisé avec une antenne extérieure pour une portée de réception radio maximale.

RDGRNTL/ RGL24LY

Voyant de circulation rouge/vert :

Une tension de 24 Vdc est utilisée conjointement avec la carte TLS1CARD.

SCHÉMA DE CONNEXIONS DE COMMANDE

REMARQUES IMPORTANTES :

1. La station de commande à 3 boutons fournie doit être connectée pour le fonctionnement.
2. Si un bouton STOP (arrêt) n'est pas utilisé, un cavalier doit être placé entre les bornes 4 et 5.
3. Lors d'ajout d'accessoires, les installer un à la fois et tester chacun après son addition pour s'assurer d'une installation et d'un fonctionnement correct de l'ouvre-porte commercial.

